

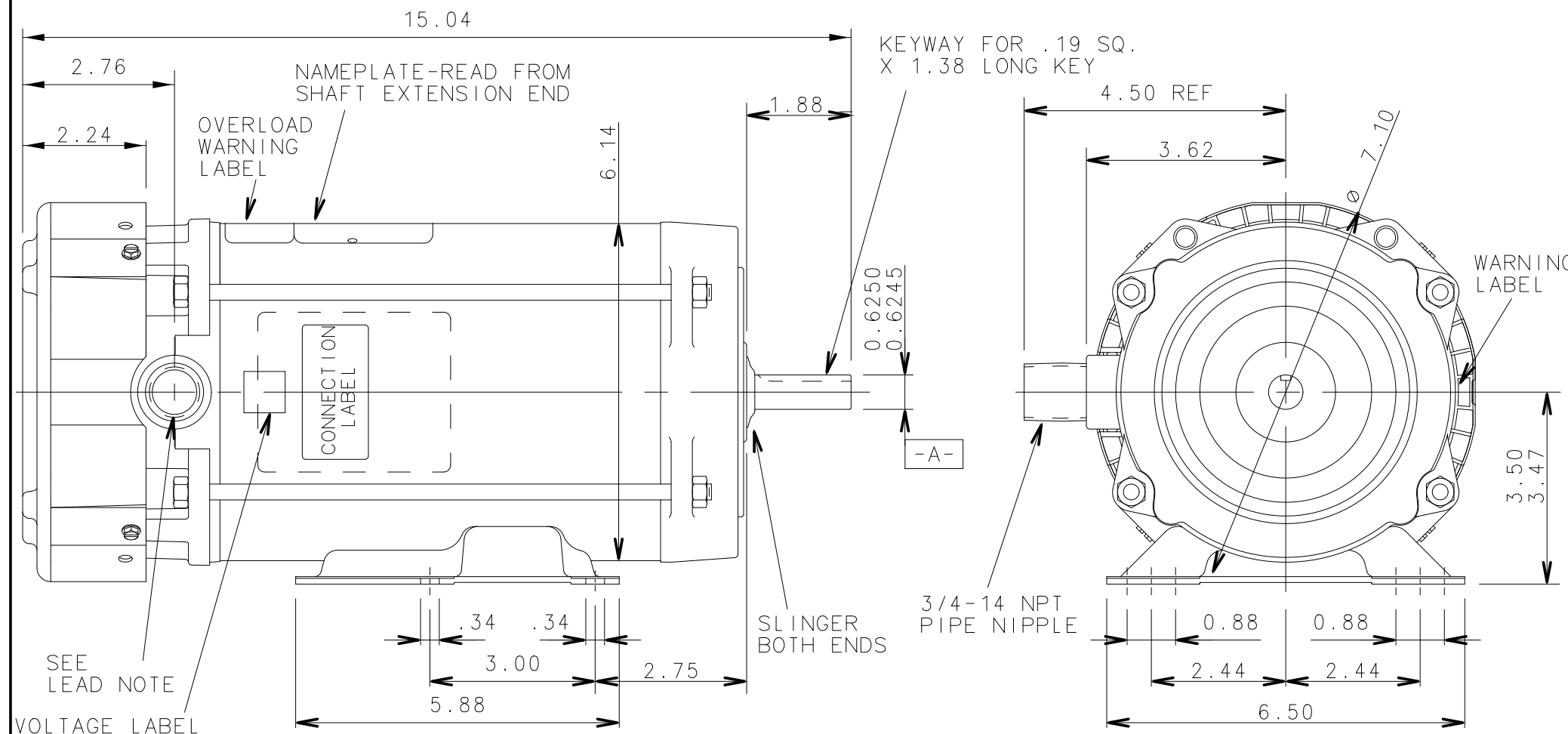
THE INFORMATION DISCLOSED HEREIN INCLUDES PROPRIETARY RIGHTS OF BLUFFTON MOTOR WORKS. NEITHER THIS DRAWING NOR THE INFORMATION DISCLOSED THEREIN SHALL BE REPRODUCED OR TRANSFERRED TO OTHER DOCUMENTS OR USED OR DISCLOSED TO OTHERS FOR MANUFACTURING PURPOSES OR FOR ANY OTHER PURPOSES, EXCEPT AS SPECIFICALLY AUTHORIZED IN WRITING BY BLUFFTON MOTOR WORKS.

1311007491

UNLESS OTHERWISE SPECIFIED DIMENSIONS WITHOUT TOLERANCES ARE REFERENCE ONLY

NOTES

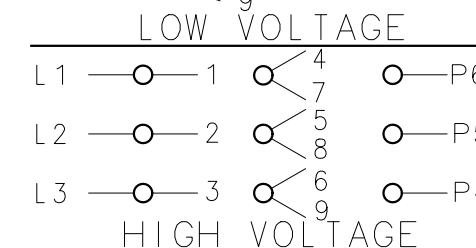
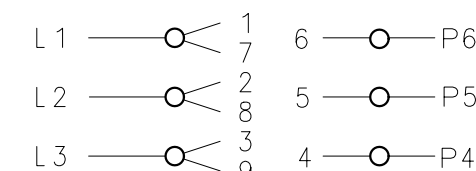
1. MOTOR LISTED FOR HAZARDOUS LOCATION - CLASS I, GROUP C,D AND CLASS II, GROUP E,F,G.
2. CONDUIT BOX IS SUPPLIED AS UNASSEMBLED ITEM WITH MOTOR
3. 50HZ NAMEPLATE DATA  
 HP 1.5  
 V 190/380  
 RPM 1425  
 FLA 5.0/2.5  
 SF 1.0



LEADS

24" +2-0  
 FROM CONDUIT HUB  
 WITH .44 STRIPPING

EXTERNAL CONNECTIONS



GR/YEL

MOTOR DATA

TYPE	POLYPHASE		ENCLOSURE	TEFC-XPL	VIEWING LEAD END	MOTOR ROTATION	REV
HP	2		BEARINGS	BALL	ASSEMBLY ROTATION	REV	
PH	3	HZ	60/50	PAINT	GRAY	ASSEMBLY VOLTAGE	HIGH
RPM	1725/1425	SF	1.0	MOUNTING POSITION	HORIZONTAL	THERMALLY PROTECTED	AUTOMATIC
VOLTS	208-230/460		END CAP	CANOPY	WINDING AND TEST SPEC	338327	
F.L. AMPS	5.4/2.7		ENVIRONMENTAL CONDITION	NORMAL	CUSTOMER NAME	WEG	
S.F. AMPS	.		SHAFT MATERIAL	COLD ROLLED STEEL	CUSTOMER PART NO.	00218XT3E56H	
FRAME	56H	TEMP CODE	T3B		DRAWN	GWB 4-26-13	
TIME RATE	CONT	MAX. AMB.	50°C		APPROVED	.	
KVA CODE	K	INS. CLASS	F		RELEASED	.	

PAR NO ECN NO	REV NO	CHANGE	FILM	DATE INIT
115768	3	UPDATE CUST PART NO FROM 00218XS3E56H		KMH 8/15/16

**BLUFFTON MOTOR WORKS**  
 Bluffton, Indiana 46714

MODEL NUMBER

1311007491

DIST: 3-21(2)-26-31-35