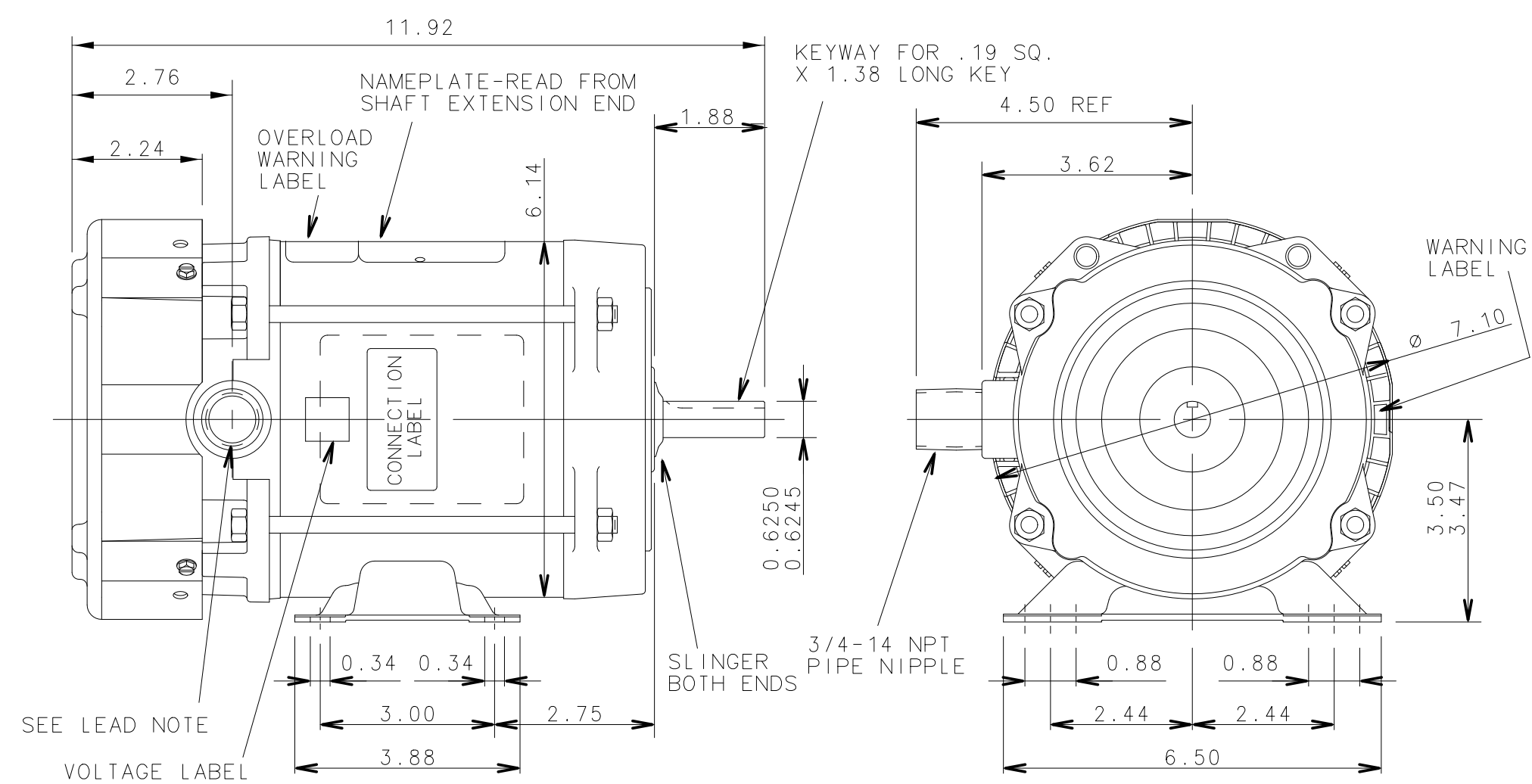


1313007445

UNLESS OTHERWISE SPECIFIED DIMENSIONS WITHOUT TOLERANCES ARE REFERENCE ONLY

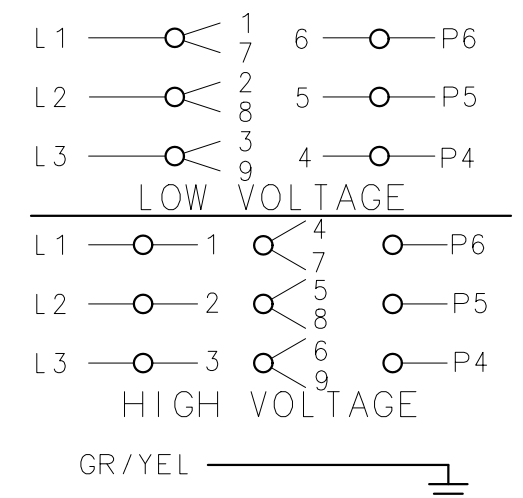
NOTES

1. MOTOR LISTED FOR HAZARDOUS LOCATION - CLASS I, GROUP C,D AND CLASS II, GROUP E,F,G.
2. CONDUIT BOX IS SUPPLIED AS UNASSEMBLED ITEM WITH MOTOR
3. 50HZ NAMEPLATE DATA
 HP .75
 V 190/380
 RPM 2875
 FLA 3.0/1.5
 SF 1.0



LEADS
 24" +2-0
 FROM CONDUIT HUB
 WITH .44 STRIPPING

EXTERNAL CONNECTIONS



MOTOR DATA

TYPE	POLYPHASE		ENCLOSURE	TEFC-XPL	VIEWING LEAD END	MOTOR ROTATION	REV	
HP	1		BEARINGS	BALL	ASSEMBLY ROTATION	REV		
PH	3	HZ	60/50	PAINT	GRAY	ASSEMBLY VOLTAGE	HIGH	
RPM	3450/2875		SF	1.0	MOUNTING POSITION	HORIZONTAL	THERMALLY PROTECTED	AUTOMATIC
VOLTS	208-230/460		END CAP	CANOPY	WINDING AND TEST SPEC	330244		
F.L. AMPS	3.2/1.6		ENVIRONMENTAL CONDITION	NORMAL	CUSTOMER NAME	WEG		
S.F. AMPS	.		SHAFT MATERIAL	COLD ROLLED STEEL	CUSTOMER PART NO.	00136XT3E56		
FRAME	56	TEMP CODE	T3B		DRAWN	GWB 4-19-13		
TIME RATE	CONT	MAX. AMB.	50°C		APPROVED	.		
KVA CODE	K	INS. CLASS	F		RELEASED	.		

PAR NO ECN NO	REV NO	CHANGE	FILM	DATE INIT
117581	4	COPPER TO ALUMINUM WINDING CONVERSION		ZM 6/25/21

THE INFORMATION DISCLOSED HEREIN INCLUDES PROPRIETARY RIGHTS OF WEG. ANY REPRODUCTION OR TRANSFERRAL OF INFORMATION FROM THIS DOCUMENT IS FORBIDDEN WITHOUT PRIOR CONSENT.



MODEL NUMBER
 1313007445

DISTR: 3-21(2)-26-31-35