

UNLESS OTHERWISE SPECIFIED DIMENSIONS WITHOUT TOLERANCES ARE REFERENCE ONLY

NOTES

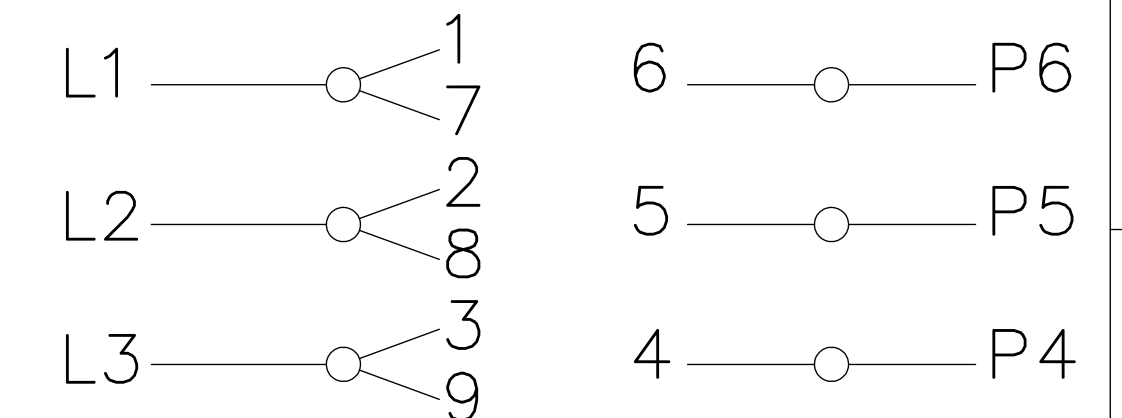
- 1. CONDUIT BOX SHIPPED UNASSEMBLED

LEADS

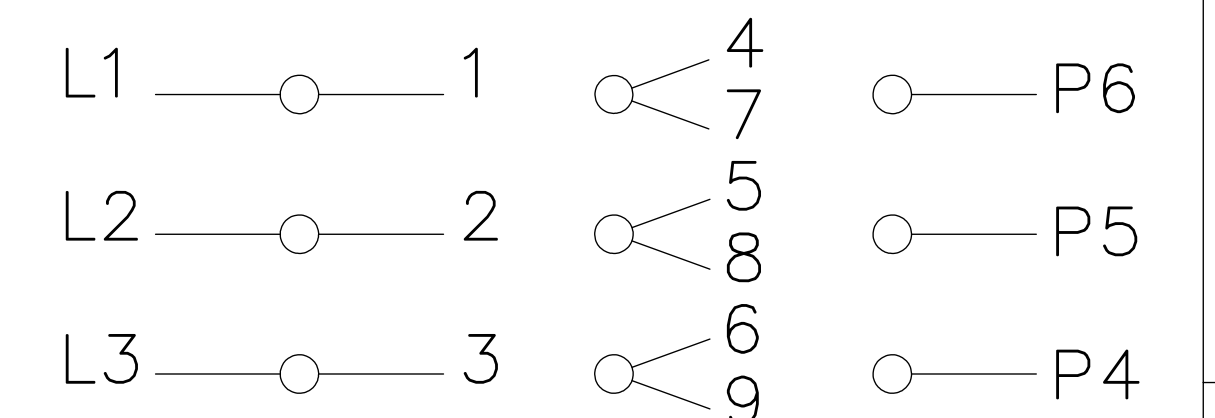
24" +2-0" WITH .44" STRIPPING FROM CONDUIT HUB

EXTERNAL CONNECTIONS

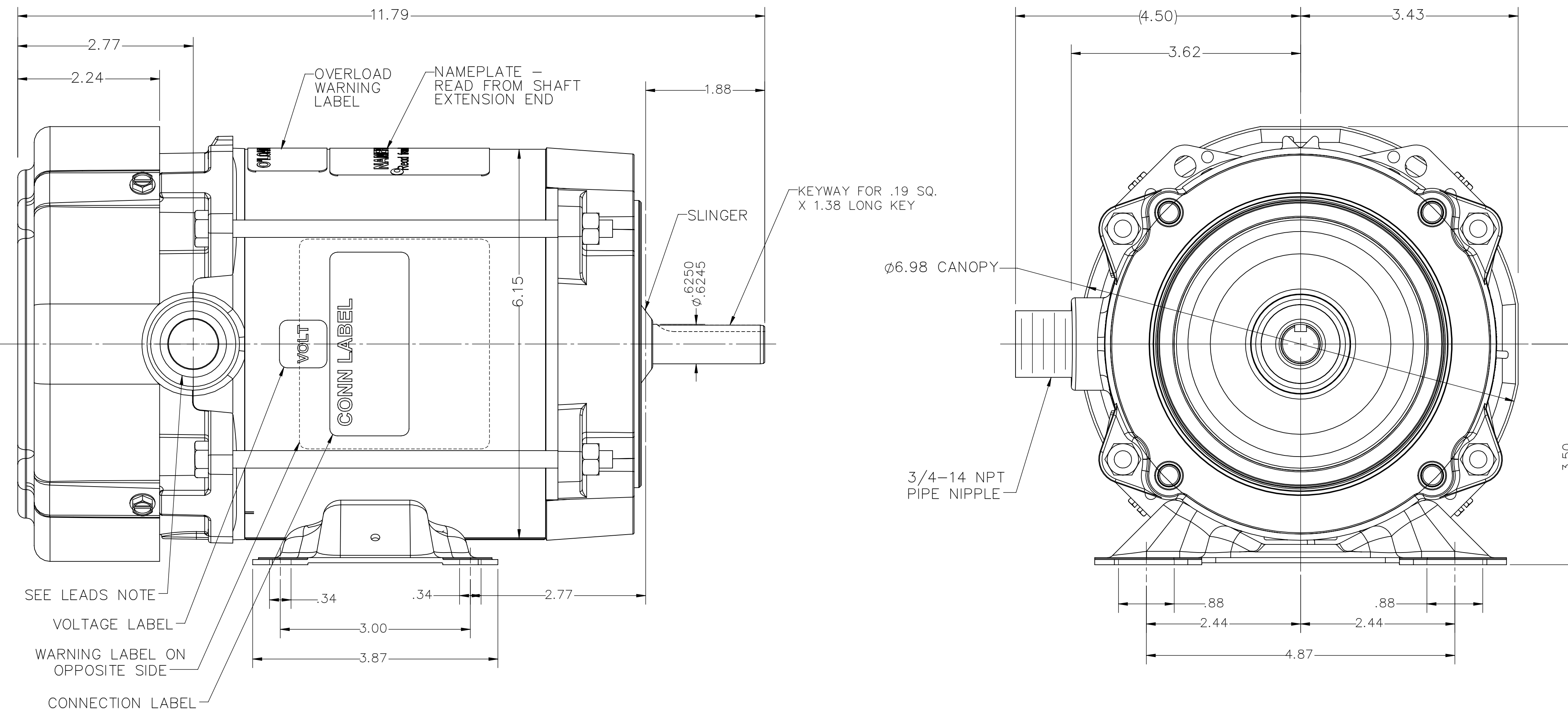
LOW VOLTAGE



HIGH VOLTAGE



GR/YEL



MOTOR DATA

TYPE	POLY	SHAFT MATERIAL	CRS	CUSTOMER NAME	WEG
HZ	60	FRAME	56	PHASE	3
VOLTS	208-230/460	ENCLOSURE	TEFC-XP	PAINT	GLOSS BLACK
HP	3/4	SF	1.0	ENVIRONMENT	NORMAL
RPM	3450	RPM	2875	I.P.CODE	IP55
F.L. AMPS	2.4/1.2	F.L. AMPS	2.1/1.05	NEMA NOM. EFF.	%
S.F. AMPS	-	S.F. AMPS	-	IE3	%
MOTOR IS LISTED FOR HAZARDOUS LOCATIONS				VIEWING LEAD END	MOTOR ROTATION REV
TIME RATE	CONT	MAX AMB	50	ASSEMBLY ROTATION	REV
KVA CODE	K	INS CLASS	F	ASSEMBLY VOLTAGE	HIGH
		CLASS	I - II	THERMAL PROTECTION TYPE	AUTOMATIC
		GROUP	C,D - E,F,G	MOUNTING POSITION	HORIZONTAL
		TEMP CODE	T3B	WINDING AND TEST SPEC	330287
		APPROVED:		DRAWN: RMF 09/14/20	RELEASED:

ECN	REV	CHANGE DESCRIPTION	DATE/INITIALS
	03	REDRAWN IN SOLIDWORKS	01/29/24 IT

THE INFORMATION DISCLOSED HEREIN INCLUDES PROPRIETARY RIGHTS OF WEG. ANY REPRODUCTION OR TRANSFERRAL OF INFORMATION FROM THIS DOCUMENT IS FORBIDDEN WITHOUT PRIOR CONSENT.

SIZE	D	DWG NO.	10008992617
SCALE: 1:1	DO NOT SCALE DRAWING	SHEET 1 OF 1	

10008992617