

UNLESS OTHERWISE SPECIFIED DIMENSIONS WITHOUT TOLERANCES ARE REFERENCE ONLY

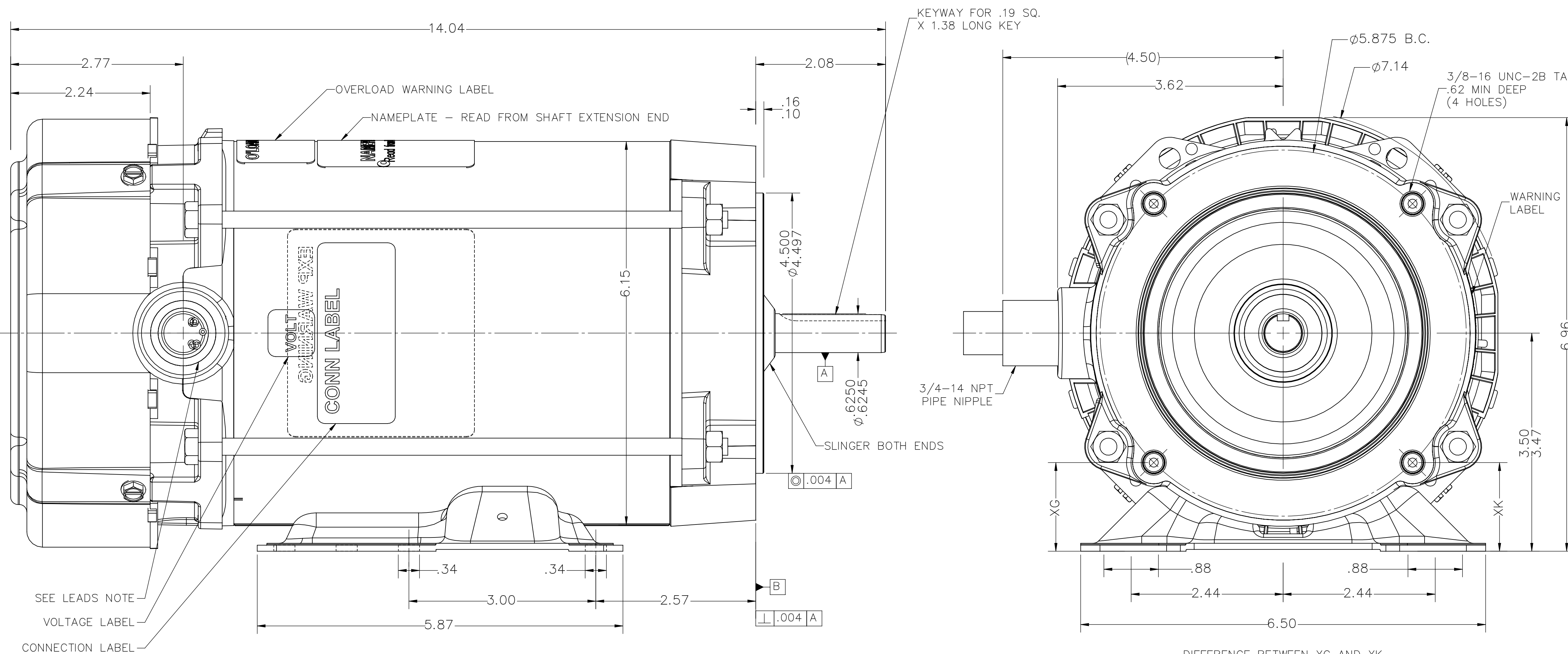
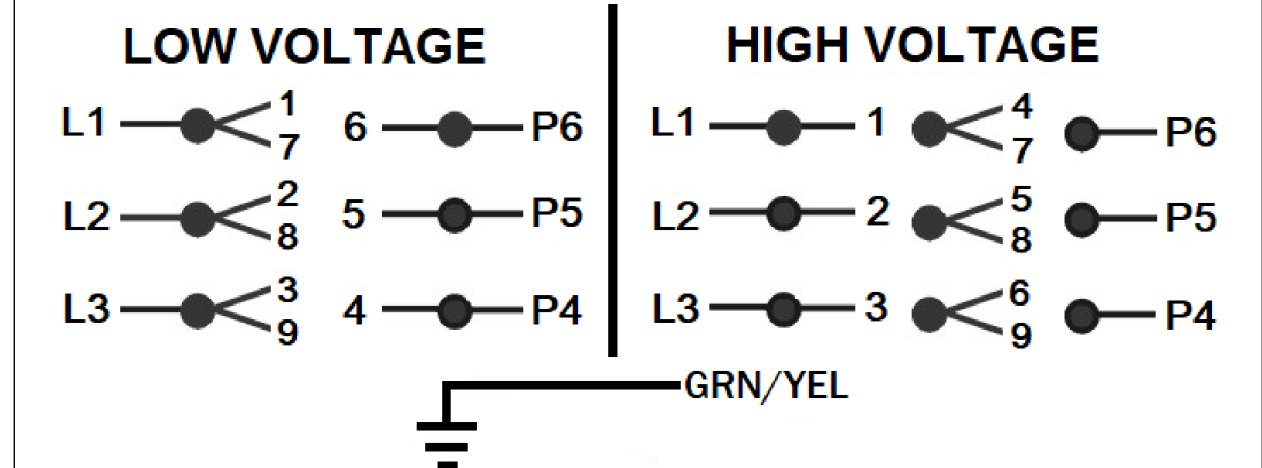
NOTES

- CONDUIT BOX IS SUPPLIED AS UNASSEMBLED ITEM WITH MOTOR.

LEADS

24" +2-0" WITH .44" STRIPPING FROM CONDUIT HUB

EXTERNAL CONNECTIONS



MOTOR DATA

TYPE	POLY	SHAFT MATERIAL	CRS	CUSTOMER NAME	WEG	
HZ	60	FRAME	56HC	PHASE	3	
VOLTS	208-230/460	ENCLOSURE	TEFC-XP	PAINT	GRAY	
HP	2.0	ENVIRONMENT	NORMAL	BEARINGS	BALL	
RPM	3450	I.P.CODE	IP55	END CAP	N/R	
F.L. AMPS	5.4/2.7	NEMA NOM. EFF.	85.5%	IE3	-%	
S.F. AMPS	-	MOTOR IS LISTED FOR HAZARDOUS LOCATIONS			WINDING AND TEST SPEC	330074
TIME RATE	CONT	MAX AMB	50	CLASS	I - II	
KVA CODE	J	INS CLASS	F	GROUP	C/D-E/F/G	

ECN	REV	CHANGE DESCRIPTION	DATE/INITIALS
-	05	REDRAWN IN SOLIDWORKS.	05/07/24 ZM
THE INFORMATION DISCLOSED HEREIN INCLUDES PROPRIETARY RIGHTS OF WEG. ANY REPRODUCTION OR TRANSFERRAL OF INFORMATION FROM THIS DOCUMENT IS FORBIDDEN WITHOUT PRIOR CONSENT.			
SIZE	D	DWG NO.	10009400574
SCALE: 1:1	DO NOT SCALE DRAWING	SHEET 1 OF 1	

10009400574