

UNLESS OTHERWISE SPECIFIED DIMENSIONS WITHOUT TOLERANCES ARE REFERENCE ONLY

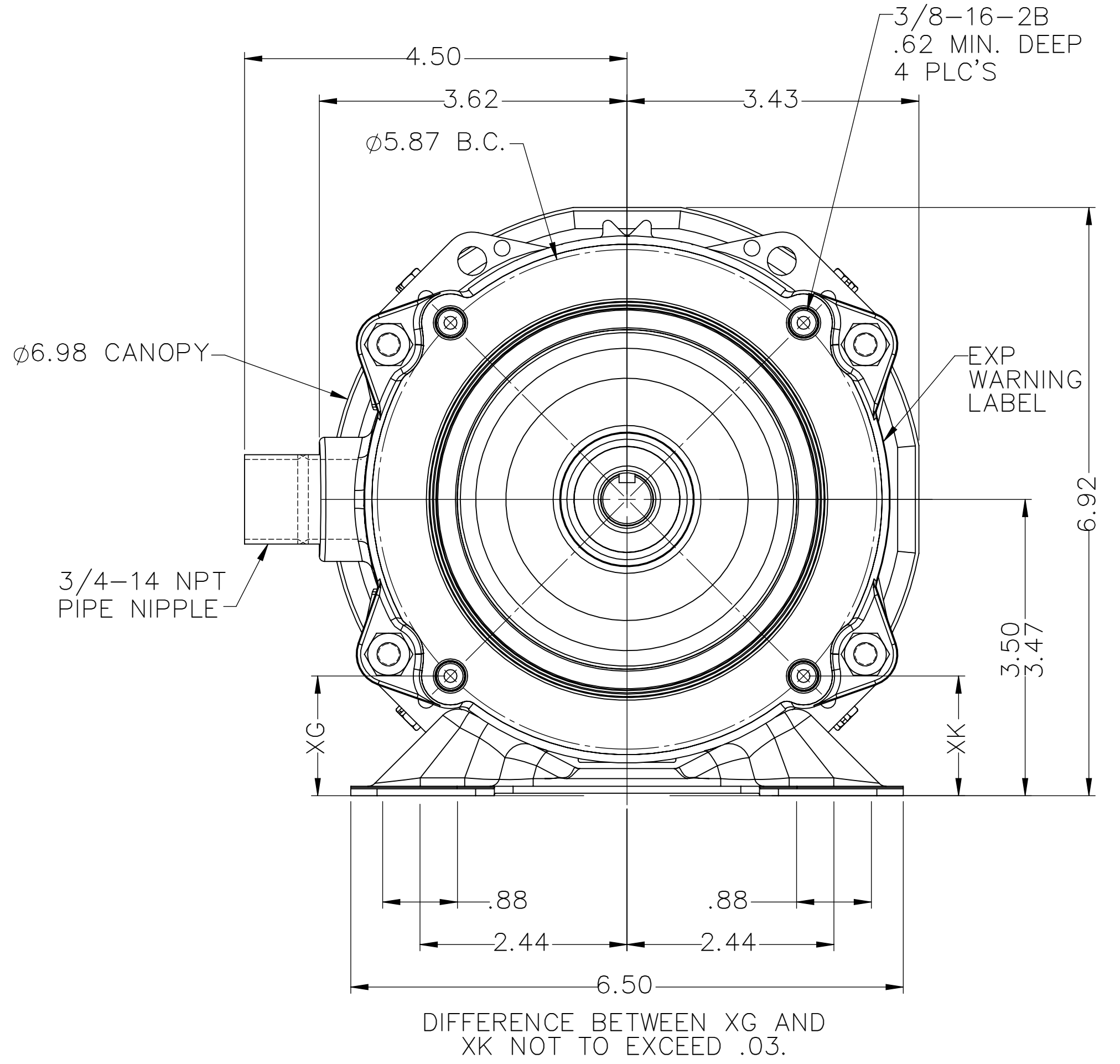
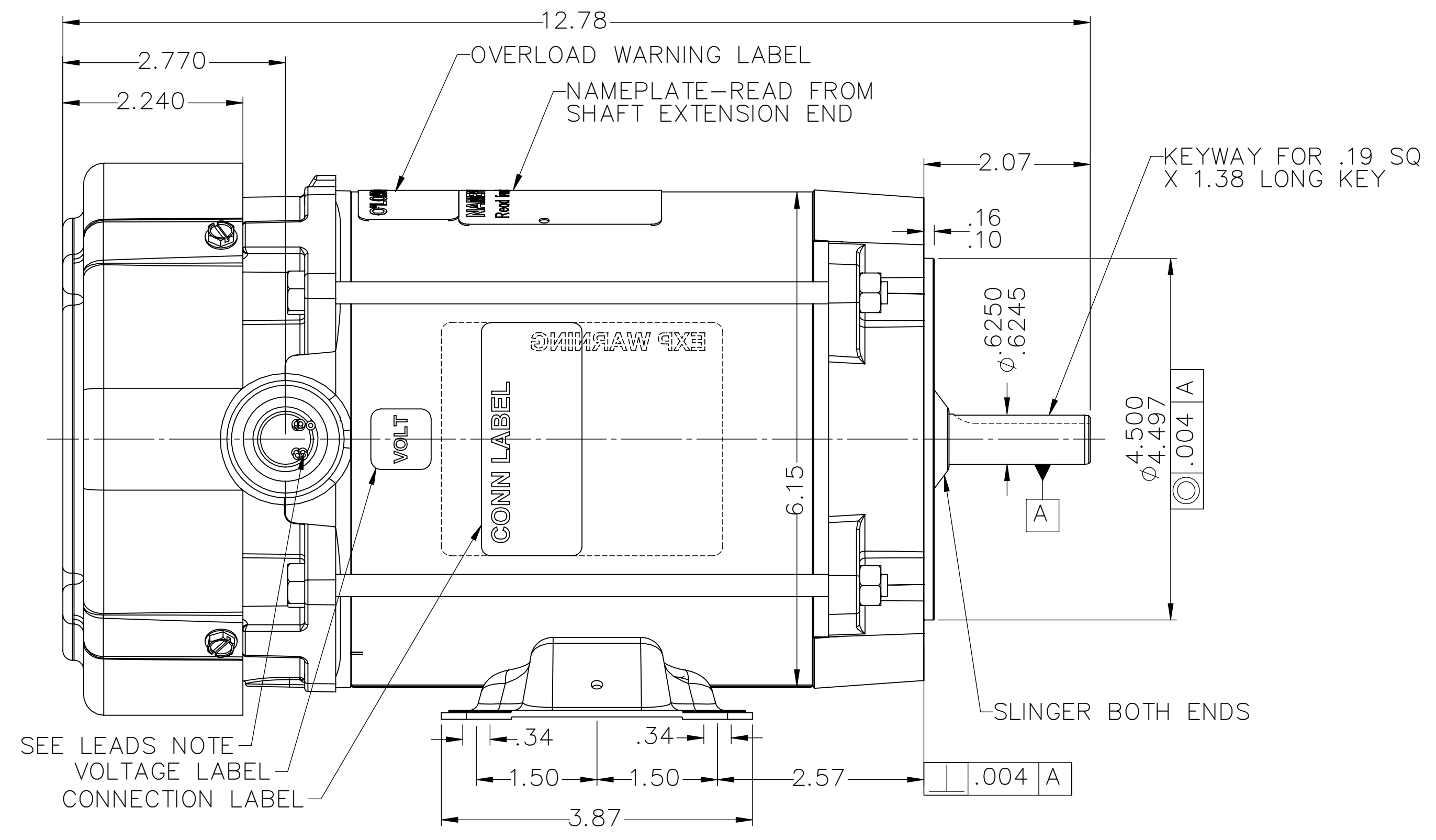
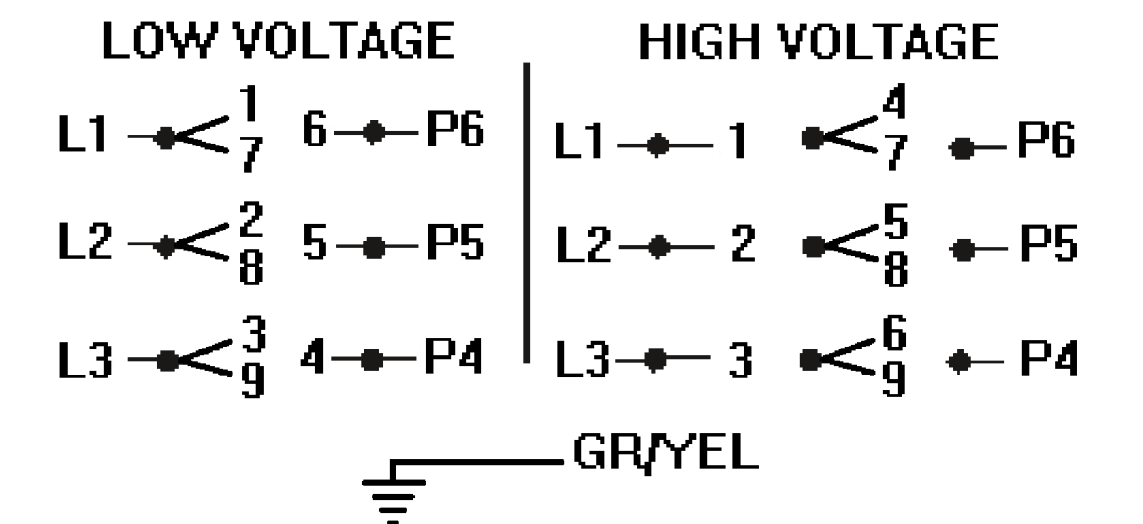
NOTES

1. MOTOR LISTED FOR HAZARDOUS LOCATIONS— CLASS I, GROUP C,D, AND CLASS II, GROUP E, F, G.
2. CONDUIT BOX IS SUPPLIED AS UNASSEMBLED ITEM WITH MOTOR
3. REFERENCE MODEL NUMBER 1313007440

LEADS

24" +2-0 FROM CONDUIT HUB WITH .44 STRIPPING

EXTERNAL CONNECTIONS



MOTOR DATA

TYPE	POLY	SHAFT MATERIAL	CRS	CUSTOMER NAME	WEG
HZ	60	FRAME	56C	PHASE	3
VOLTS	208-230/460	ENCLOSURE	XPFC	PAINT	GRAY
HP	1.5	ENVIRONMENT	NORMAL	BEARINGS	BALL
RPM	3450	I.P.CODE	IP55	END CAP	N/R
F.L. AMPS	4.2/2.1	NEMA NOM. EFF.	84.0%	IE3	%
S.F. AMPS		MOTOR IS LISTED FOR HAZARDOUS LOCATIONS		WINDING AND TEST SPEC	330290
TIME RATE	CONT	MAX AMB	50	CLASS	I-II
KVA CODE	J	INS CLASS	F	GROUP	C/D-E/F/G

ECN	REV	CHANGE DESCRIPTION	DATE/INITIALS
118032	003	CONVERSION FROM COPPER WINDING TO ALUMINUM. UPDATE TO OUTLINE TEMPLATE.	06/28/21 ZM
SIZE		DWG NO.	
D		1313007455	
SCALE: 4:5	DO NOT SCALE DRAWING	SHEET 1 OF 1	

1313007455

