

UNLESS OTHERWISE SPECIFIED DIMENSIONS WITHOUT TOLERANCES ARE REFERENCE ONLY

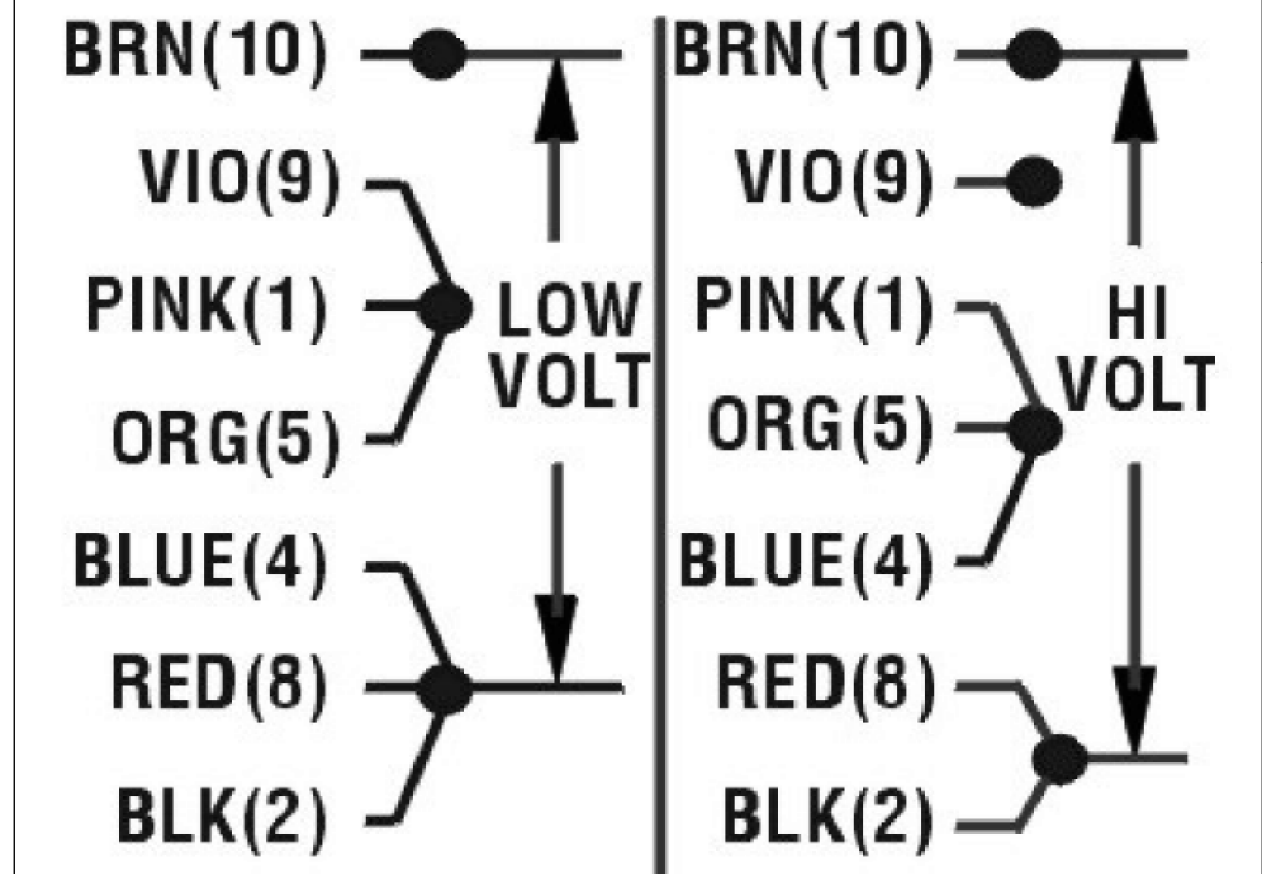
NOTES

1. CONDUIT BOX SHIPPED UNASSEMBLED

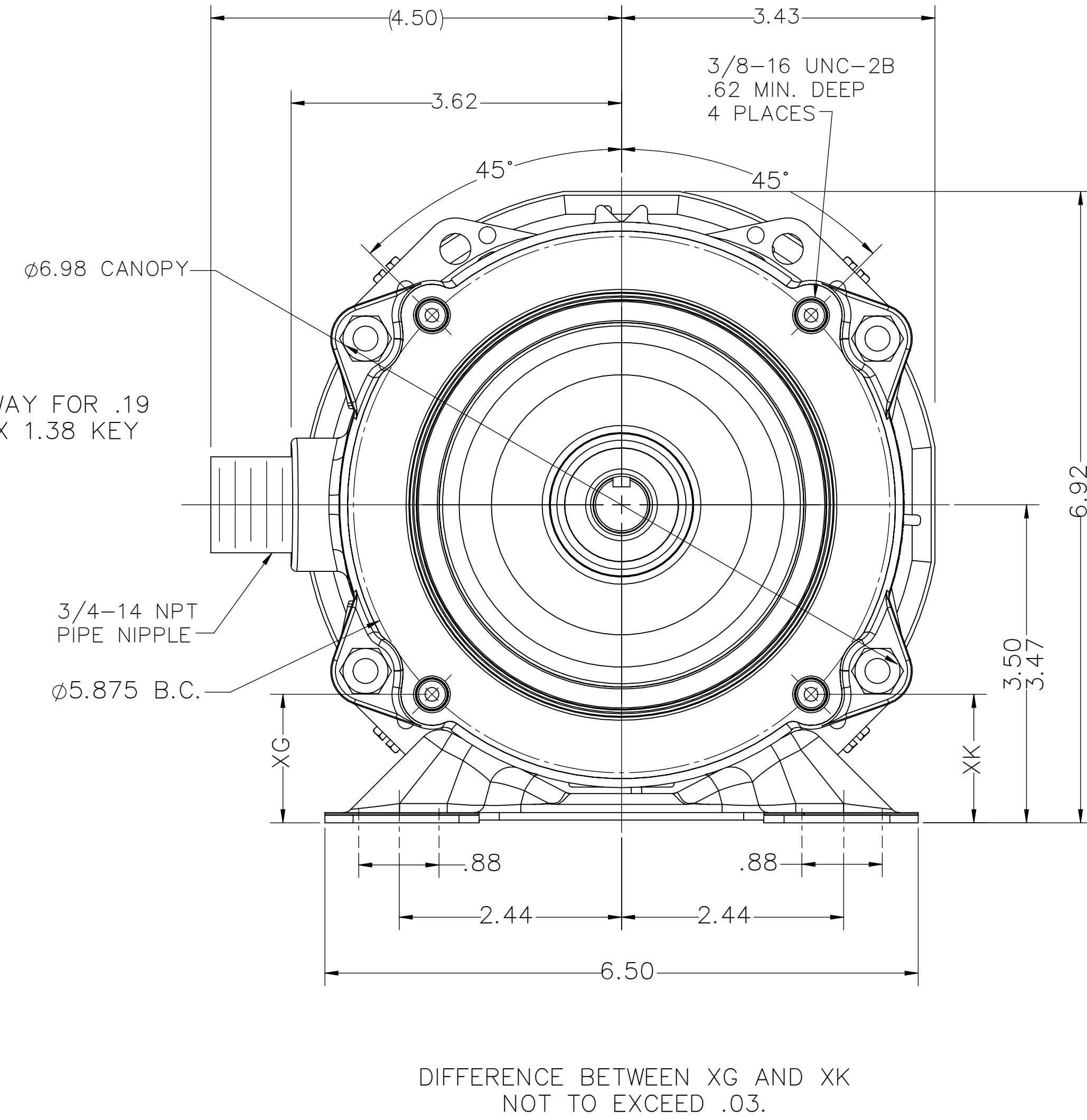
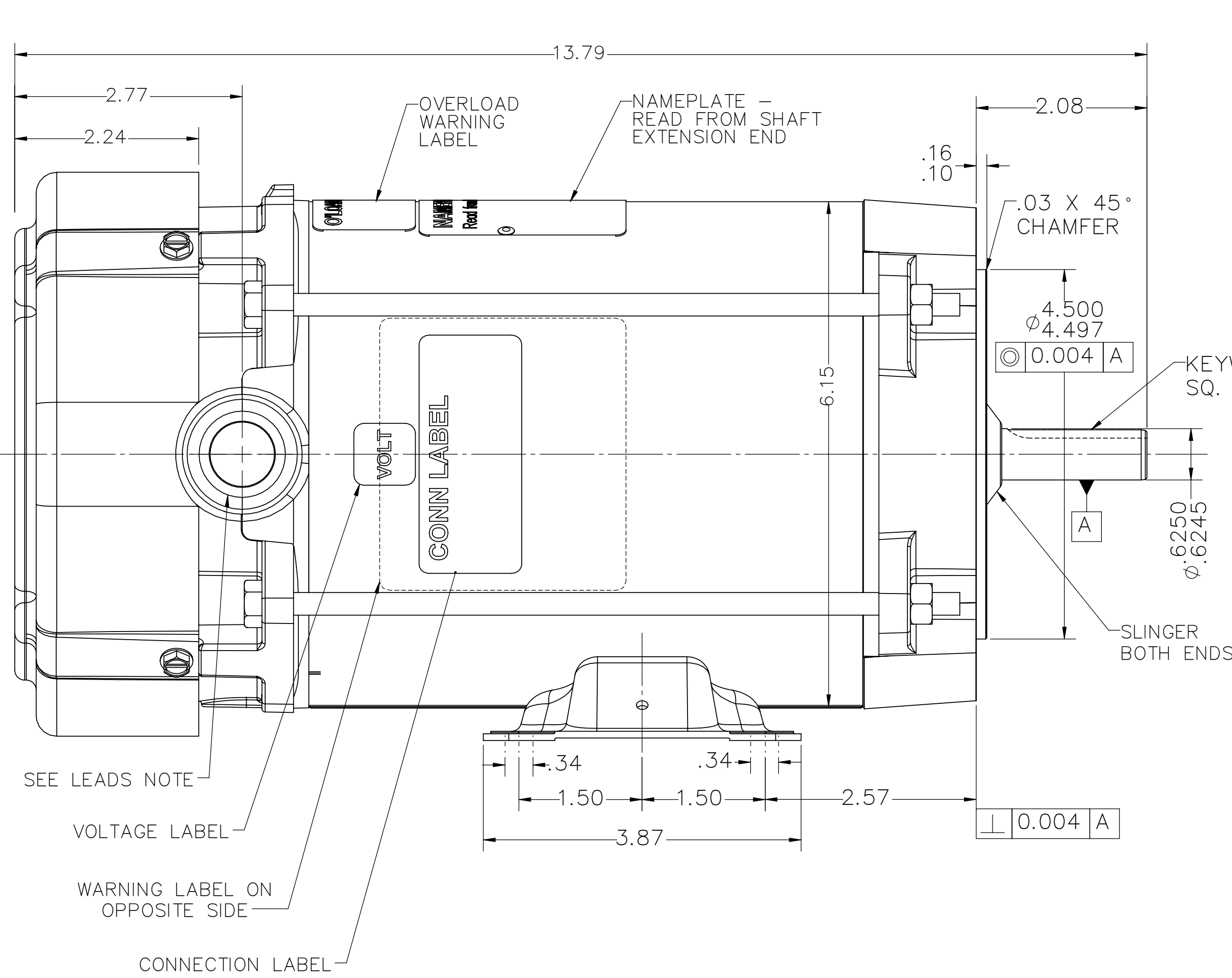
LEADS

24" +2"-0" WITH .44" STRIPPING FROM CONDUIT HUB

EXTERNAL CONNECTIONS



TO REVERSE, INTERCHANGE ORANGE(5) AND RED (8).



MOTOR DATA

TYPE		CSIR		SHAFT MATERIAL		CRS		CUSTOMER NAME		WEG	
HZ	60	HZ		FRAME	56C	PHASE	1	CUSTOMER PART NUMBER		00118XS1B56C	
VOLTS	115/208-230	VOLTS		ENCLOSURE	TEFC-XP	PAINT	GRAY	VIEWING LEAD END	MOTOR ROTATION	REV	
HP	1	SF	1.0	ENVIRONMENT	NORMAL	BEARINGS	BALL	ASSEMBLY ROTATION	CW		
RPM	1725	RPM		I.P.CODE	IP55	END CAP	N/R	ASSEMBLY VOLTAGE	HIGH		
F.L. AMPS	12.6/6.3	F.L. AMPS		NEMA NOM. EFF.	-%	IE3	-%	THERMAL PROTECTION TYPE	AUTOMATIC		
S.F. AMPS	-	S.F. AMPS		MOTOR IS LISTED FOR HAZARDOUS LOCATIONS				WINDING AND TEST SPEC	337280		
TIME RATE	CONT	MAX AMB	50	CLASS	I - II	TEMP CODE	T3B	DRAWN: RMF	09/18/18	RELEASED:	
KVA CODE	J	INS CLASS	F	GROUP	C,D - E,F,G			APPROVED:			

ECN	REV	CHANGE DESCRIPTION	DATE/INITIALS
-	002	CHANGED EXTERNAL CONN DIAGRAM AND ADDED TOTAL DIMENSIONS	12/01/23 DGM

THE INFORMATION DISCLOSED HEREIN INCLUDES PROPRIETARY RIGHTS OF WEG. ANY REPRODUCTION OR TRANSFERRAL OF INFORMATION FROM THIS DOCUMENT IS FORBIDDEN WITHOUT PRIOR CONSENT.



SIZE	D	DWG NO.	10009383347
SCALE: 1:1	DO NOT SCALE DRAWING	SHEET 1 OF 1	

10009383347