

UNLESS OTHERWISE SPECIFIED DIMENSIONS WITHOUT TOLERANCES ARE REFERENCE ONLY

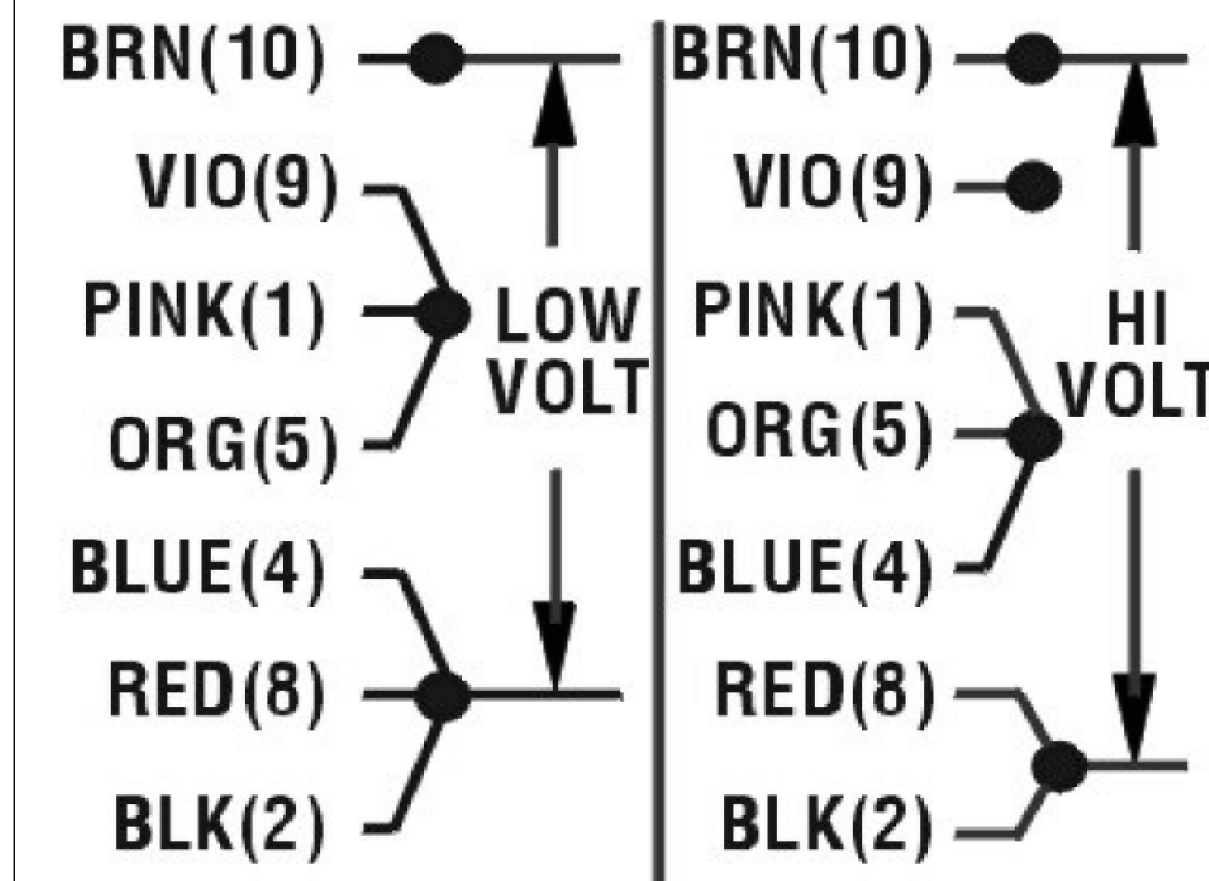
NOTES

1. CONDUIT BOX SHIPPED UNASSEMBLED

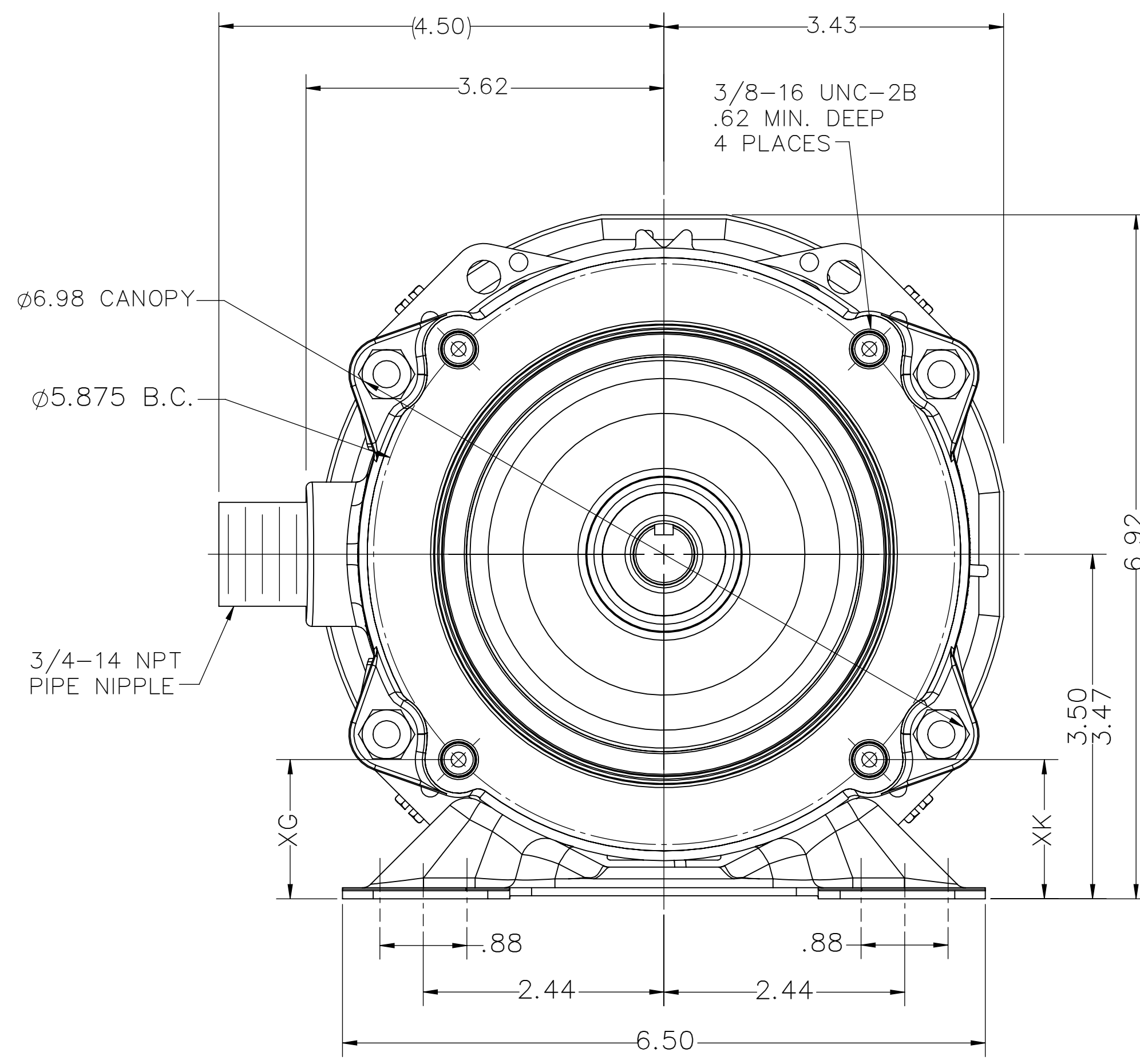
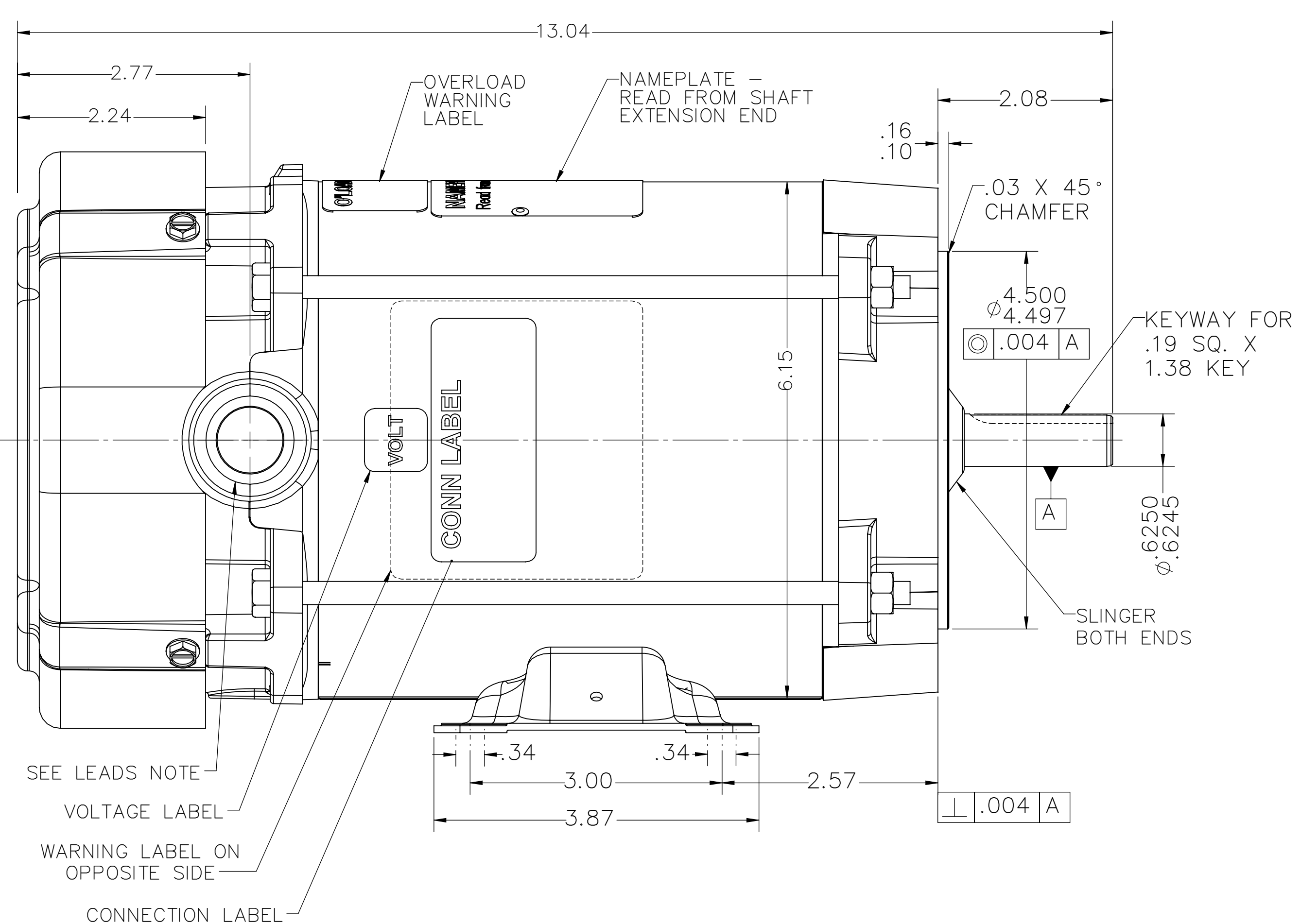
LEADS

24" +2"-0" WITH .44" STRIPPING FROM CONDUIT HUB

EXTERNAL CONNECTIONS



TO REVERSE, INTERCHANGE ORANGE(5) AND RED (8).



DIFFERENCE BETWEEN XG AND XK NOT TO EXCEED .03.

MOTOR DATA

TYPE		SHAFT MATERIAL		CUSTOMER NAME			
CSIR		CRS		WEG			
HZ	60	FRAME	56C	PHASE	1		
VOLTS	115/208-230	ENCLOSURE	TEFC-XP	PAINT	GRAY		
HP	1	ENVIRONMENT	NORMAL	BEARINGS	BALL		
RPM	3450	I.P.CODE	IP55	END CAP	CANOPY		
F.L. AMPS	10.8/5.4	NEMA NOM. EFF.	-%	IE3	-%		
S.F. AMPS	-	MOTOR IS LISTED FOR HAZARDOUS LOCATIONS			ASSEMBLY VOLTAGE	HIGH	
TIME RATE	CONT	MAX AMB	50	CLASS	I - II	TEMP CODE	T3B
KVA CODE	J	INS CLASS	F	GROUP	C,D - E,F,G	WINDING AND TEST SPEC	337919

ECN	REV	CHANGE DESCRIPTION	DATE/INITIALS
-	002	REBUILT IN SOLIDWORKS AND CHANGED EXT CONN DIAGRAM	12/01/23 DGM

THE INFORMATION DISCLOSED HEREIN INCLUDES PROPRIETARY RIGHTS OF WEG. ANY REPRODUCTION OR TRANSFERRAL OF INFORMATION FROM THIS DOCUMENT IS FORBIDDEN WITHOUT PRIOR CONSENT.

SIZE	DWG NO.
D	10009277925
SCALE: 1:1	DO NOT SCALE DRAWING

10009277925

A