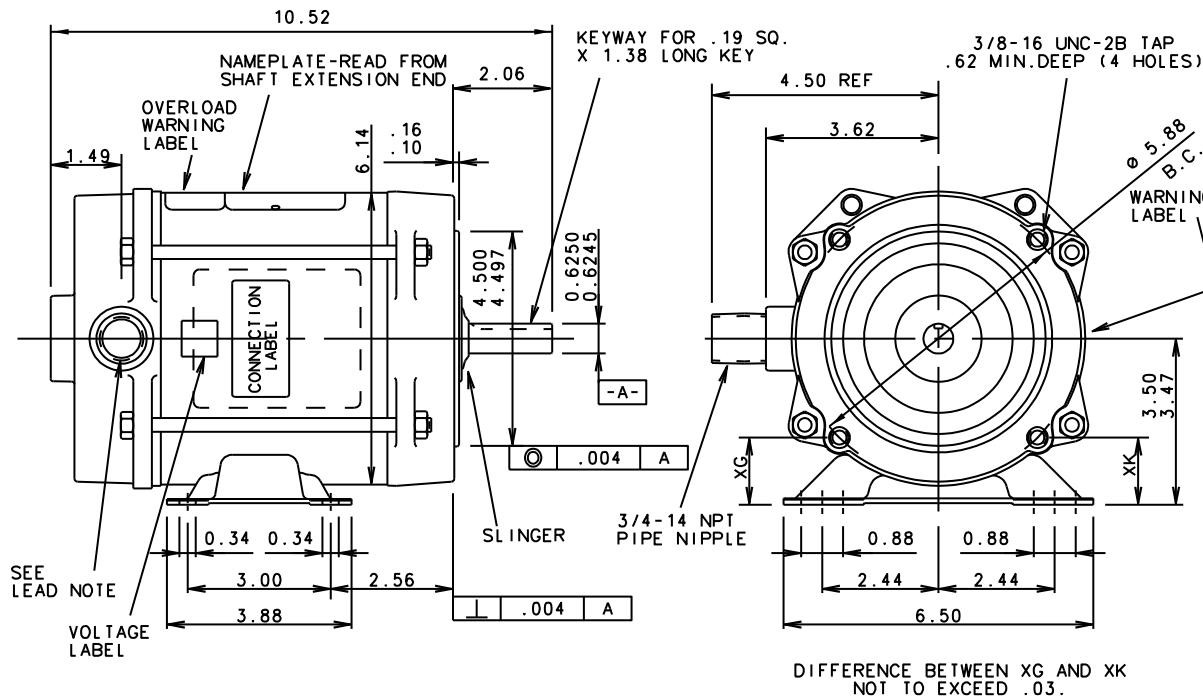


THE INFORMATION DISCLOSED HEREIN INCLUDES PROPRIETARY RIGHTS OF BLUFFTON MOTOR WORKS. NEITHER THIS DRAWING NOR THE INFORMATION DISCLOSED THEREIN SHALL BE REPRODUCED OR TRANSFERRED TO OTHER DOCUMENTS OR USED OR DISCLOSED TO OTHERS FOR MANUFACTURING PURPOSES OR FOR ANY OTHER PURPOSES, EXCEPT AS SPECIFICALLY AUTHORIZED IN WRITING BY BLUFFTON MOTOR WORKS.

1323007423

UNLESS OTHERWISE SPECIFIED DIMENSIONS WITHOUT TOLERANCES ARE REFERENCE ONLY



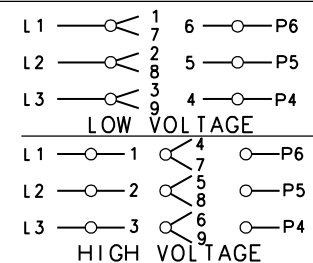
NOTES

- MOTOR LISTED FOR HAZARDOUS LOCATION - CLASS I, GROUP C,D AND CLASS II, GROUP E,F,G.
- CONDUIT BOX IS SUPPLIED AS UNASSEMBLED ITEM WITH MOTOR
- 50HZ NAMEPLATE DATA
HP .25
V 190/380
RPM 2875
FLA 1.17.55 SF 1.0

LEADS

24"+2-0
FROM CONDUIT HUB
WITH .44 STRIPPING

EXTERNAL CONNECTIONS



GR/YEL

MOTOR DATA

TYPE	POLYPHASE		ENCLOSURE	TENV-XPL	VIEWING LEAD END	MOTOR ROTATION	REV
HP	.33		BEARINGS	BALL	ASSEMBLY ROTATION	REV	
PH	3	HZ	60/50	PAINT	GRAY	ASSEMBLY VOLTAGE	HIGH
RPM	3450	SF	1.0	MOUNTING POSITION	HORIZONTAL	THERMALLY PROTECTED	AUTOMATIC
VOLTS	208-230/460		END CAP	CANOPY	WINDING AND TEST SPEC	337254	
F.L. AMPS	1.2/.6		ENVIRONMENTAL CONDITION	NORMAL	CUSTOMER NAME	WEG	
S.F. AMPS			SHAFT MATERIAL		CUSTOMER PART NO.	.3336XS3E56C	
FRAME	56C	TEMP CODE	T3B	COLD ROLLED STEEL	DRAWN	GWB 6-17-13	
TIME RATE	CONT	MAX. AMB.	50 °C		APPROVED		
KVA CODE	L	INS. CLASS	F		RELEASED		

BLUFFTON MOTOR WORKS
Bluffton, Indiana 46714

MODEL NUMBER

1323007423

DIST: 3-21(2)-26-31-35