

UNLESS OTHERWISE SPECIFIED DIMENSIONS WITHOUT TOLERANCES ARE REFERENCE ONLY

NOTES

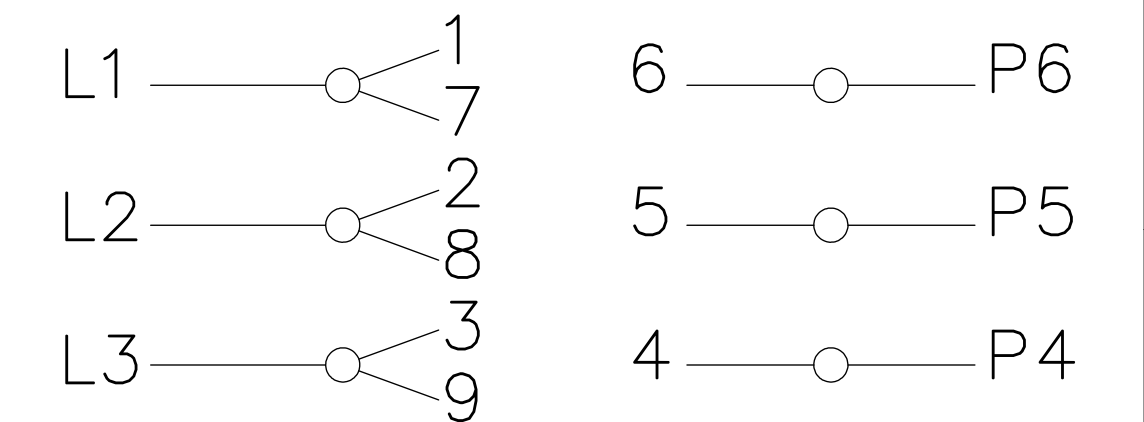
- 1. CONDUIT BOX SHIPPED UNASSEMBLED

LEADS

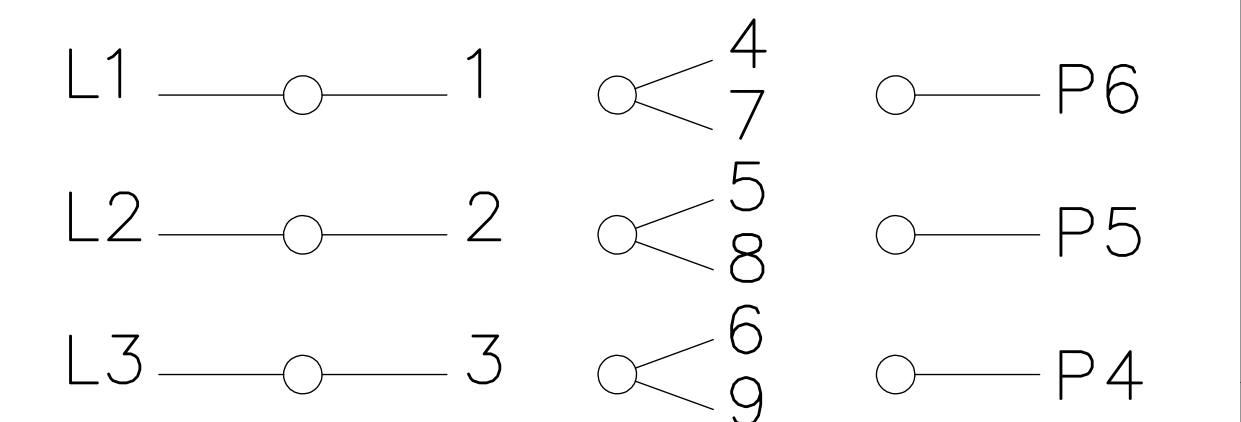
24" +2-0" WITH .44" STRIPPING FROM CONDUIT HUB

EXTERNAL CONNECTIONS

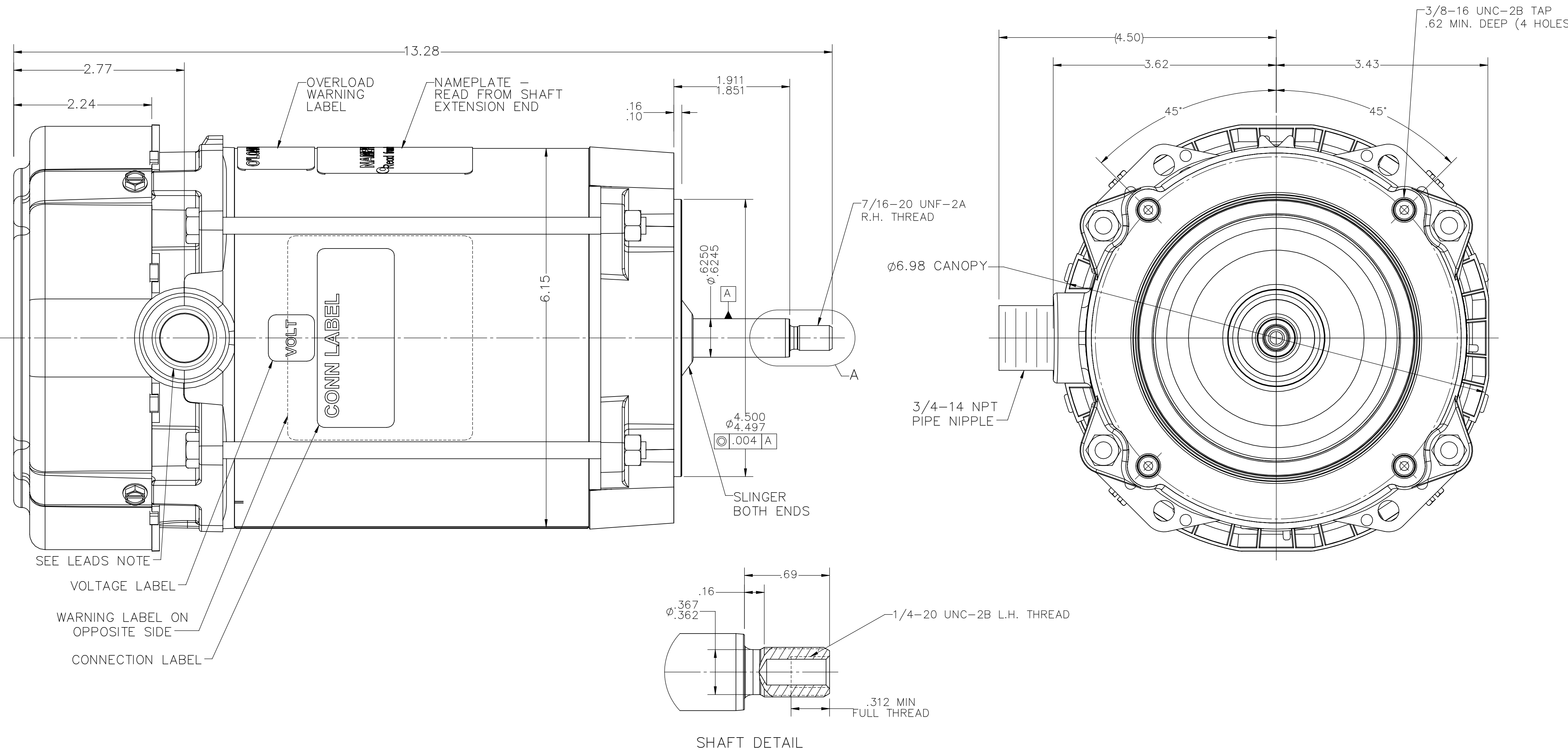
LOW VOLTAGE



HIGH VOLTAGE



GR/YEL —



MOTOR DATA

TYPE	POLY	SHAFT MATERIAL	303 S.S. EXTENSION	CUSTOMER NAME	WEG
HZ	60	HZ	50	FRAME	56J
VOLTS	208-230/460	VOLTS	190/380	PHASE	3
HP	2	HP	1.50	ENCLOSURE	TEFC-XP
RPM	3450	RPM	2875	PAINT	GRAY
F.L. AMPS	5.4/2.7	F.L. AMPS	5.0/2.5	ENVIRONMENT	NORMAL
S.F. AMPS	-	S.F. AMPS	-	BEARINGS	BALL
				I.P.CODE	IP55
				END CAP	CANOPY
				NEMA NOM. EFF.	-%
				IE3	-%
				ASSEMBLY VOLTAGE	HIGH
				THERMAL PROTECTION TYPE	AUTOMATIC
				MOUNTING POSITION	HORIZONTAL
				WINDING AND TEST SPEC	330074
				DRAWN: RH	03/04/24
				RELEASED:	
				APPROVED:	

ECN	REV	CHANGE DESCRIPTION	DATE/INITIALS
	01	REDRAWN IN SOLIDWORKS	03/05/24 IT

THE INFORMATION DISCLOSED HEREIN INCLUDES PROPRIETARY RIGHTS OF WEG. ANY REPRODUCTION OR TRANSFERRAL OF INFORMATION FROM THIS DOCUMENT IS FORBIDDEN WITHOUT PRIOR CONSENT.

SIZE	D	DWG NO.	10010033888
SCALE: 1:1	DO NOT SCALE DRAWING	SHEET 1 OF 1	

10010033888