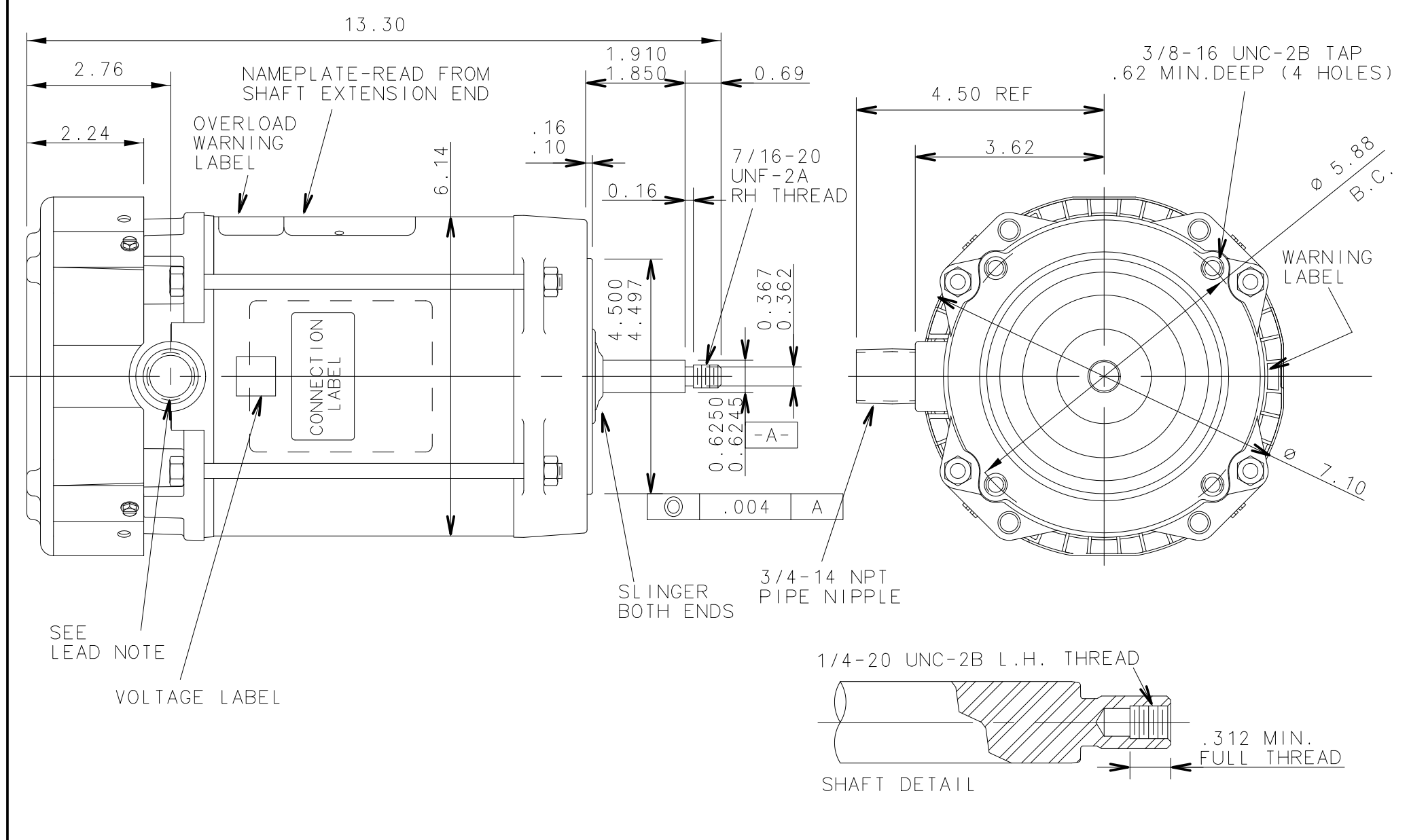


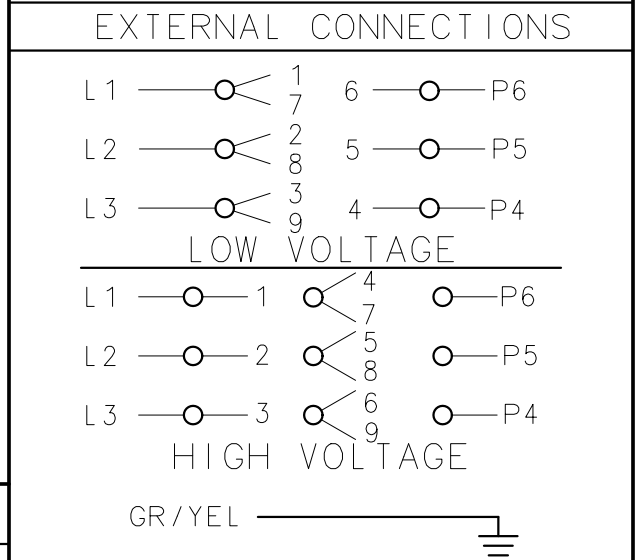
1313007464

UNLESS OTHERWISE SPECIFIED DIMENSIONS WITHOUT TOLERANCES ARE REFERENCE ONLY



- NOTES
1. MOTOR LISTED FOR HAZARDOUS LOCATION - CLASS I, GROUP C,D AND CLASS II, GROUP E,F,G.
 2. CONDUIT BOX IS SUPPLIED AS UNASSEMBLED ITEM WITH MOTOR
 3. 50HZ NAMEPLATE DATA
 HP 1.0
 V 190/380
 RPM 2875
 FLA 3.6/1.8
 SF 1.0

LEADS
 24" +2-0
 FROM CONDUIT HUB
 WITH .44 STRIPPING



MOTOR DATA

TYPE	POLYPHASE		ENCLOSURE	TEFC-XPL		VIEWING LEAD END	MOTOR ROTATION	REV	
HP	1.5		BEARINGS	BALL		ASSEMBLY ROTATION	REV		
PH	3	HZ	60/50	PAINT	GRAY	ASSEMBLY VOLTAGE	HIGH		
RPM	3450/2875		SF	1.0	MOUNTING POSITION	HORIZONTAL			
VOLTS	208-230/460		END CAP	CANOPY		WINDING AND TEST SPEC	334744		
F.L. AMPS	4.2/2.1		ENVIRONMENTAL CONDITION	NORMAL		CUSTOMER NAME	WEG		
S.F. AMPS			SHAFT MATERIAL	303 STAINLESS STEEL EXT		CUSTOMER PART NO.	00156XT3EJPR56J		
FRAME	56J	TEMP CODE	T3B			DRAWN	GWB 6-29-18		
TIME RATE	CONT	MAX. AMB.	50°C			APPROVED			
KVA CODE	J	INS. CLASS	F			RELEASED			

PAR NO ECN NO	REV NO	CHANGE	FILM	DATE INIT

THE INFORMATION DISCLOSED HEREIN INCLUDES PROPRIETARY RIGHTS OF WEG. ANY REPRODUCTION OR TRANSFERRAL OF INFORMATION FROM THIS DOCUMENT IS FORBIDDEN WITHOUT PRIOR CONSENT.

WEG

MODEL NUMBER
 1313007464

DIST: 3-21(2)-26-31-35