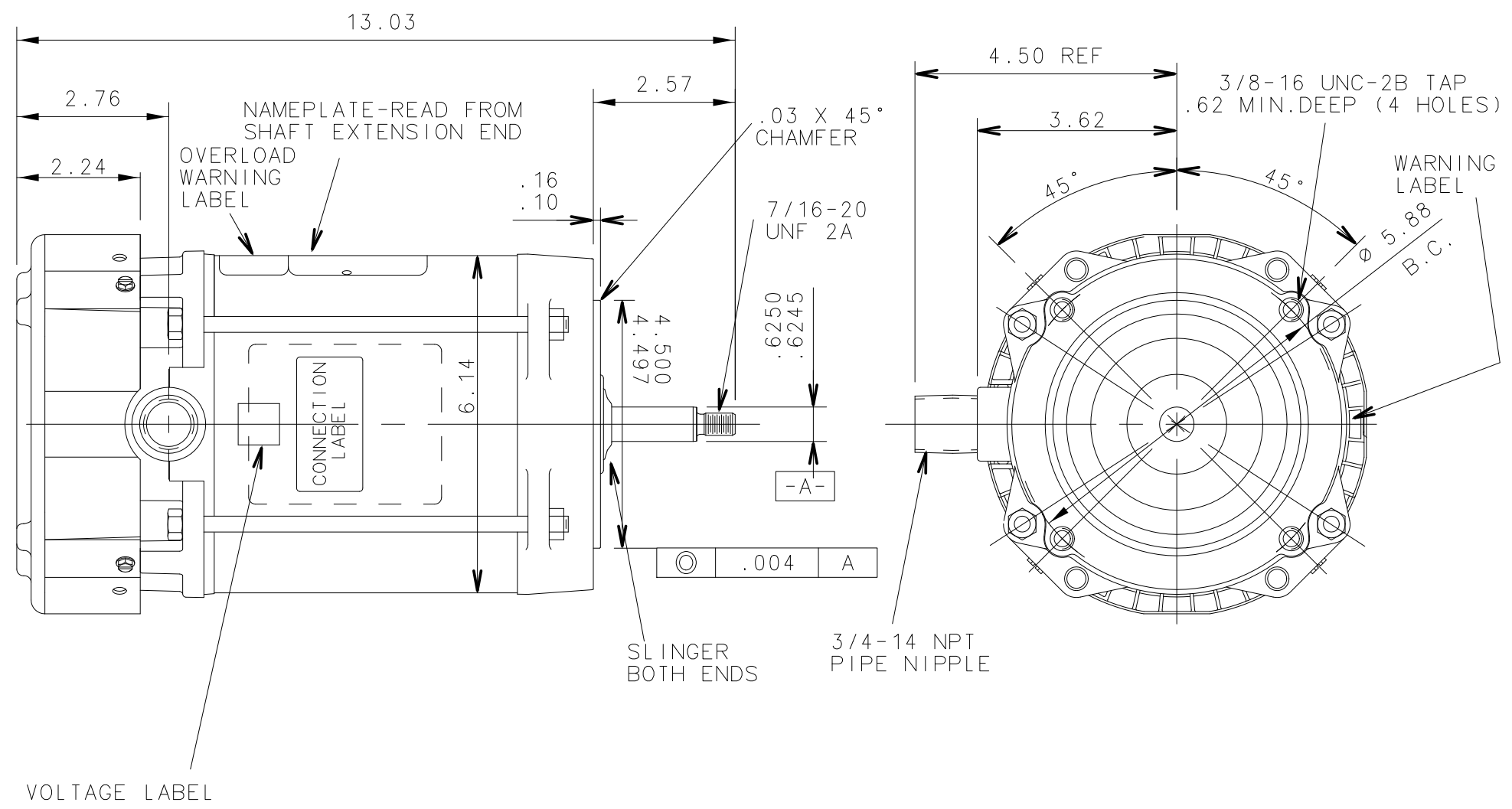


1113017443

UNLESS OTHERWISE SPECIFIED DIMENSIONS WITHOUT TOLERANCES ARE REFERENCE ONLY

NOTES

1. MOTOR LISTED FOR HAZARDOUS LOCATION - CLASS I, GROUP C,D AND CLASS II, GROUP E,F,G.
2. CONDUIT BOX IS SUPPLIED AS UNASSEMBLED ITEM WITH MOTOR

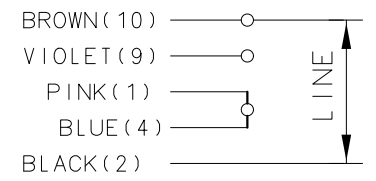


LEADS

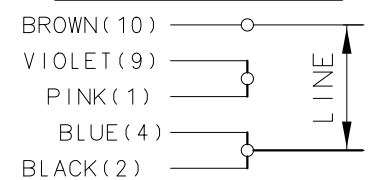
24" +2-0 FROM CONDUIT HUB WITH .44 STRIPPING

EXTERNAL CONNECTIONS

HIGH VOLTAGE



LOW VOLTAGE



MOTOR DATA

TYPE	CSIR	ENCLOSURE	TEFC-XPL	VIEWING LEAD END	MOTOR ROTATION	CW		
HP	.75	BEARINGS	BALL	ASSEMBLY ROTATION	CW			
PH	1	HZ	60	PAINT	GRAY	ASSEMBLY VOLTAGE	HIGH	
RPM	3450	SF	1.0	MOUNTING POSITION	HORIZONTAL	THERMALLY PROTECTED	AUTOMATIC	
VOLTS	115/208-230	END CAP	CANOPY	WINDING AND TEST SPEC	337788			
F.L. AMPS	8.6/4.3	ENVIRONMENTAL CONDITION	NORMAL	CUSTOMER NAME	WEG			
S.F. AMPS	.	SHAFT MATERIAL	303 STAINLESS STEEL	CUSTOMER PART NO.	.7536XS1BJPR56J			
FRAME	56J	TEMP CODE		T3B	DRAWN	TA 6/22/18		
TIME RATE	CONT	MAX. AMB.		50°C	APPROVED	.		
KVA CODE	J	INS. CLASS		F	RELEASED	.		

PAR NO ECN NO	REV NO	CHANGE	FILM	DATE INIT

THE INFORMATION DISCLOSED HEREIN INCLUDES PROPRIETARY RIGHTS OF WEG. ANY REPRODUCTION OR TRANSFERRAL OF INFORMATION FROM THIS DOCUMENT IS FORBIDDEN WITHOUT PRIOR CONSENT.



MODEL NUMBER

1113017443

DIST: 3-21(2)-26-31-35