

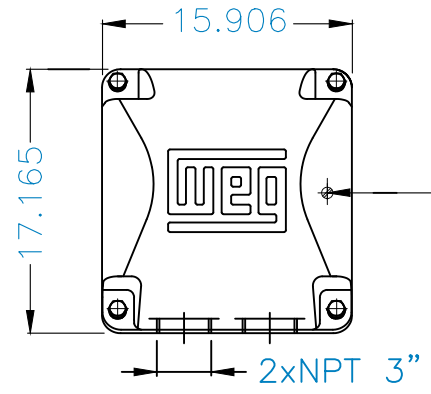
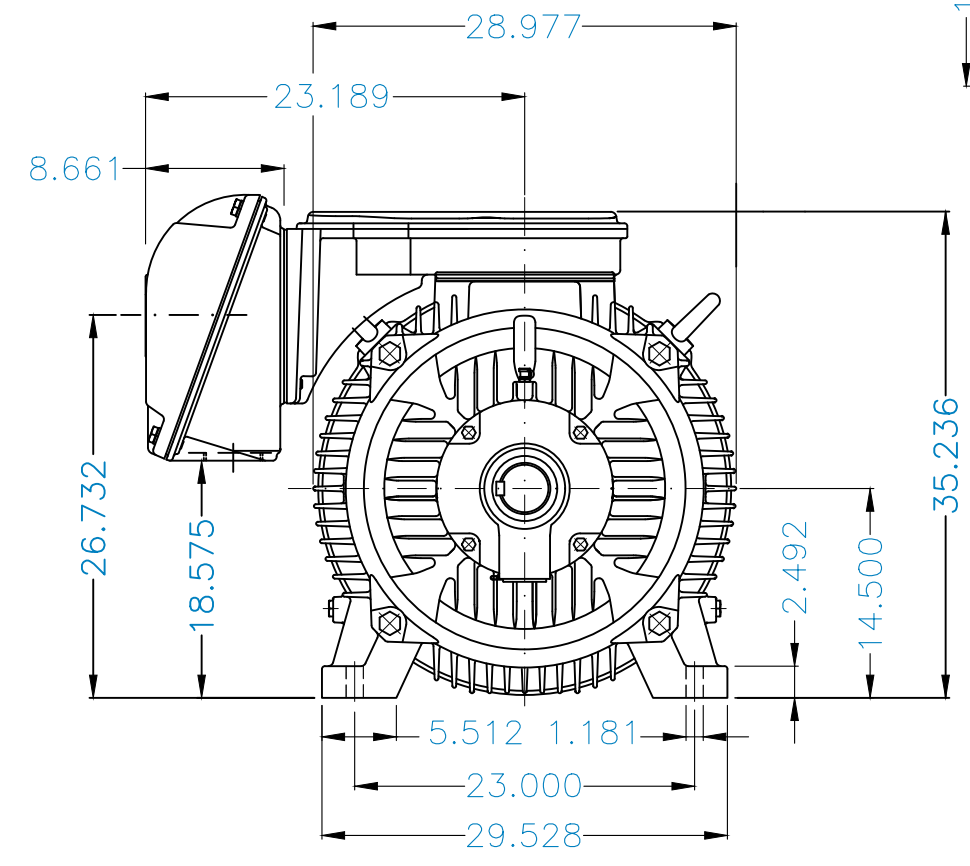
EIXO/SHAFT	
PADRÃO/STANDARD	
OPCIONAL/OPTIONAL	
ESPECIAL/SPECIAL	X

Dimensões em polegada  
Dimensions in inches

**CERTIFIED WEG MOTORES**  
Certified document.  
Not subject to changes.

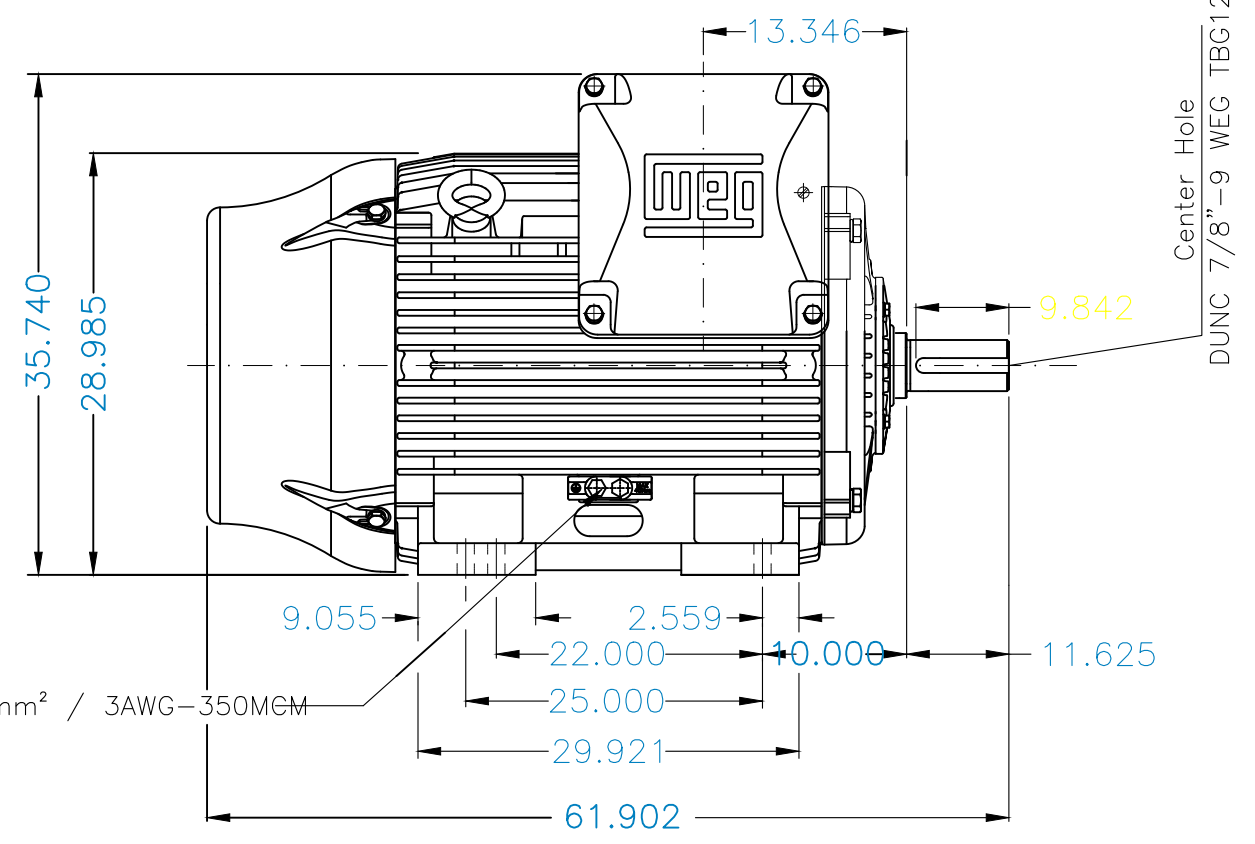
THIS IS AN UPDATED REVISION, THE PREVIOUS ONE MUST BE DISREGARDED.

A  
B  
C  
D  
E



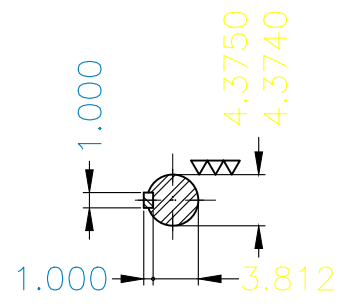
Main terminal box

Grounding for leads 35–120 mm<sup>2</sup> / 1–4/0 AWG



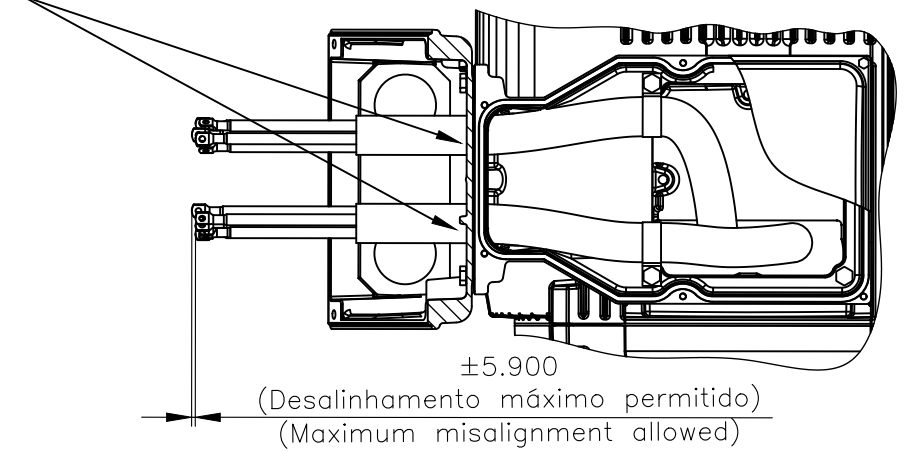
Grounding for leads 25–185 mm<sup>2</sup> / 3AWG–350MCM

Center Hole  
DUNC 7/8"–9 WEG TBG12



DE Shaft End

Fixar o conduíte no suporte com abraçadeiras.  
Fasten the conduit on support with cables ties.



Linha do motor: Crusher Duty	Motor purpose: Crusher Duty
Conduite para cabos no interior do suporte da caixa de ligação	Cables conduit inside terminal box support
Rolamento dianteiro de rolos NU-324 / NU-324 DE roller bearing	Tampa dianteira especial / Special DE endshield
Categoria A / Design A	Rolamento dianteiro de rolos / DE roller bearing
Dispositivo de travamento de eixo / Shaft locking device	Tampa traseira com mancal eletricamente isolado / NDE endshield with electrically insulated
Cor RAL 5009 / Color RAL 5009	Plano de pintura 203A / Painting plan 203A
Forma construtiva NEMA F-1 / Mounting NEMA F-1	Forma construtiva B3D / Mounting B3R(D)

VJ PAMENSKY CANADA INC

500002620216	ALT CONF CLAIM 422229394	CLAUDEMIRR	SCATOLIN	SCATOLIN	24.04.2024	02		
500001245282	ALT. CONF. CLAIM 414481094	DVEGINI	NSCHMIDT	NSCHMIDT	23.11.2016	01		
ECM	LOC	SUMMARY OF MODIFICATIONS		EXECUTED	CHECKED	RELEASED	DATE	VER
EXECUTED	DVEGINI	THREE PHASE W22 MOTOR - NEMA PREMIUM EFF FRAME 586/7TZ IP55 TEFC	10004622356		000   02		WEG	
CHECKED	NSCHMIDT		000   02					
RELEASED	NSCHMIDT		000   02					
REL DT	23.11.2016	WMO	Jaragua do Sul	Product Engineering	SHEET	1 / 1		

350 HP 60Hz 414481094/0 ELET/MEC

B  
A

UNCONTROLLED COPY  
RELEASED  
ZME A3