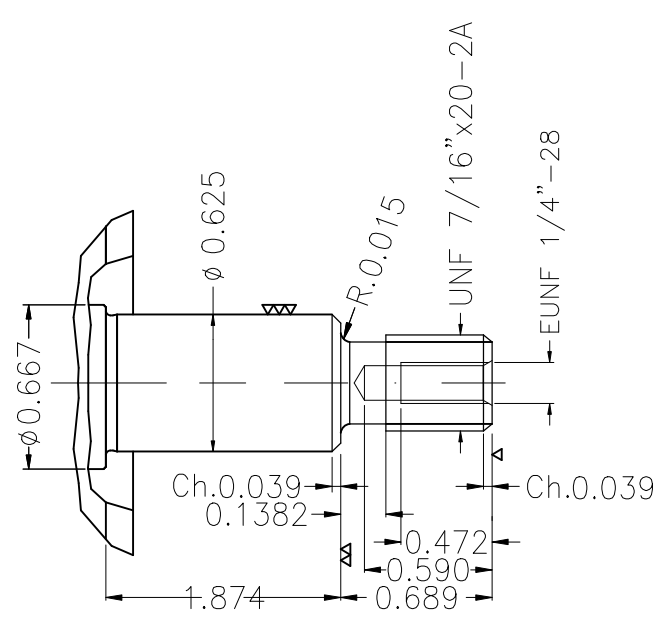
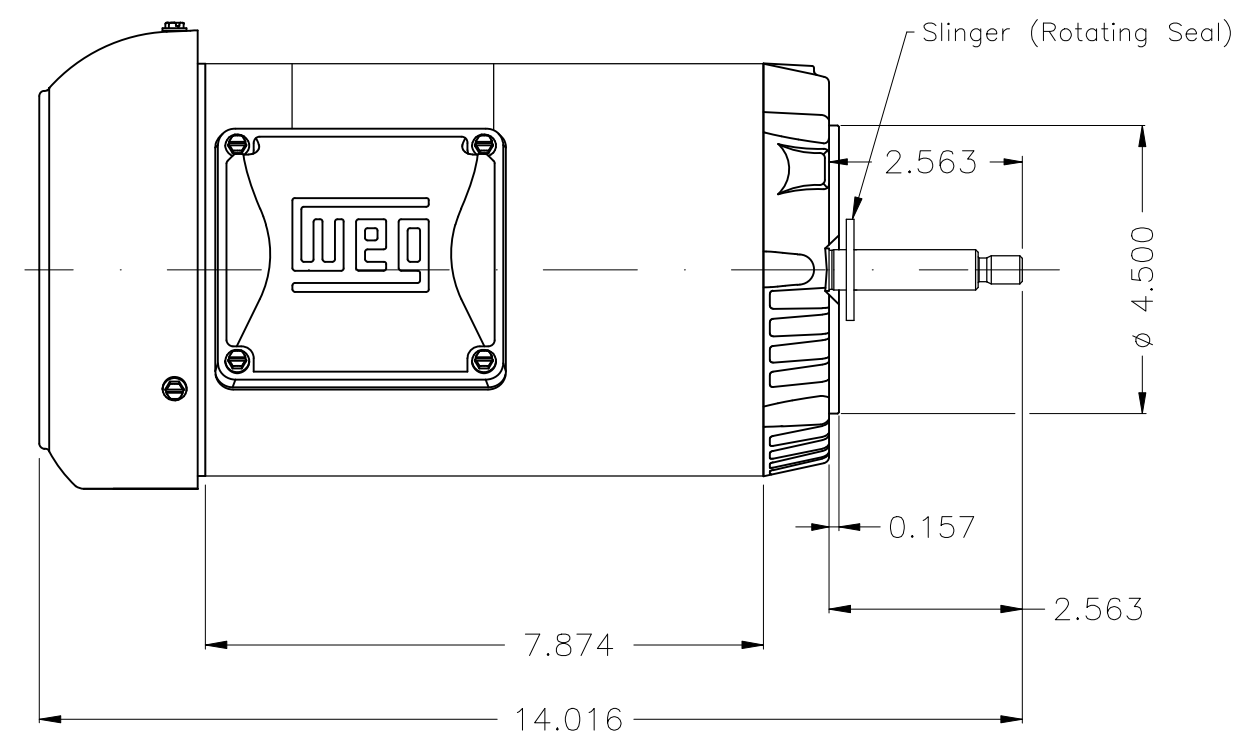
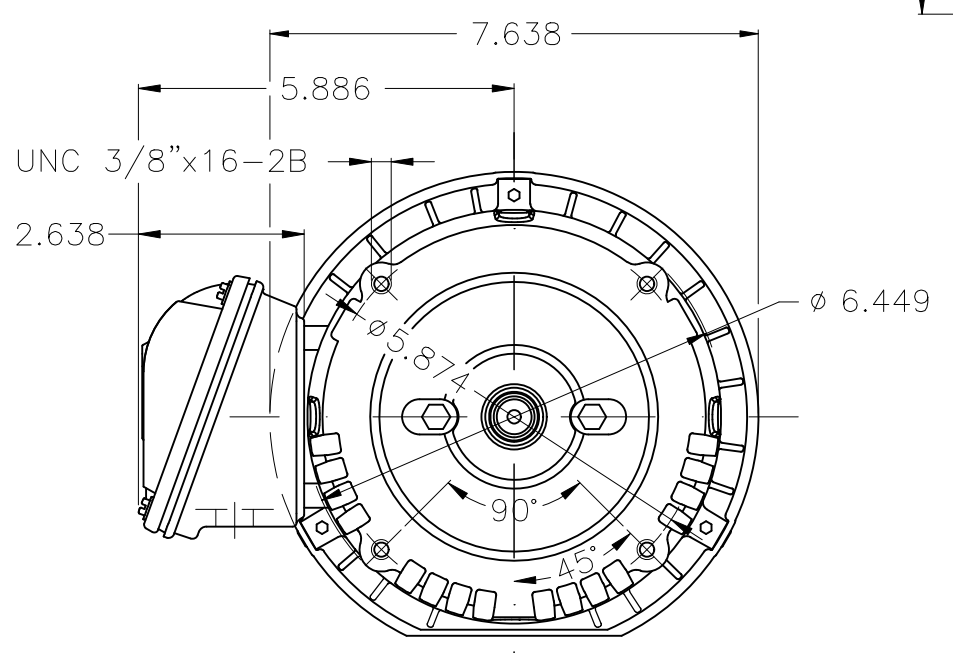
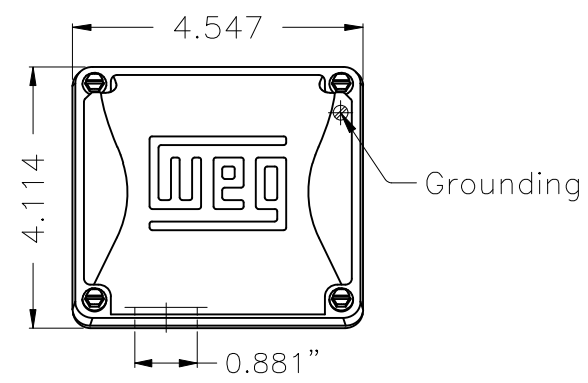


1 2 3 4 5 6

A
B
C
D
E



Fan cover - steel plate
NDE-bearing with double shield-ZZ
DE-bearing with double shield-ZZ
Color Munsell N 1 matte black
Painting plan 207N
Mounting F-1/B14R(D)

						HYBRISUSER								00	
ECM	LOC	SUMMARY OF MODIFICATIONS				EXECUTED	CHECKED	RELEASED	DATE	VER					
EXECUTED	HYBRISUSER	THREE PH. MOTOR ROLLED STEEL JET PUMP THREADED PREL. SET									PREVIEW				
CHECKED		FRAME 56J IP55 TEFC									WDD 00				
RELEASED											SHEET 1 / 1				
REL. DATE		WMO	Jaragua do Sul	Product Engineering							XME A3				

1.5 HP 04 Poles 60 Hz

Dimensions in inches