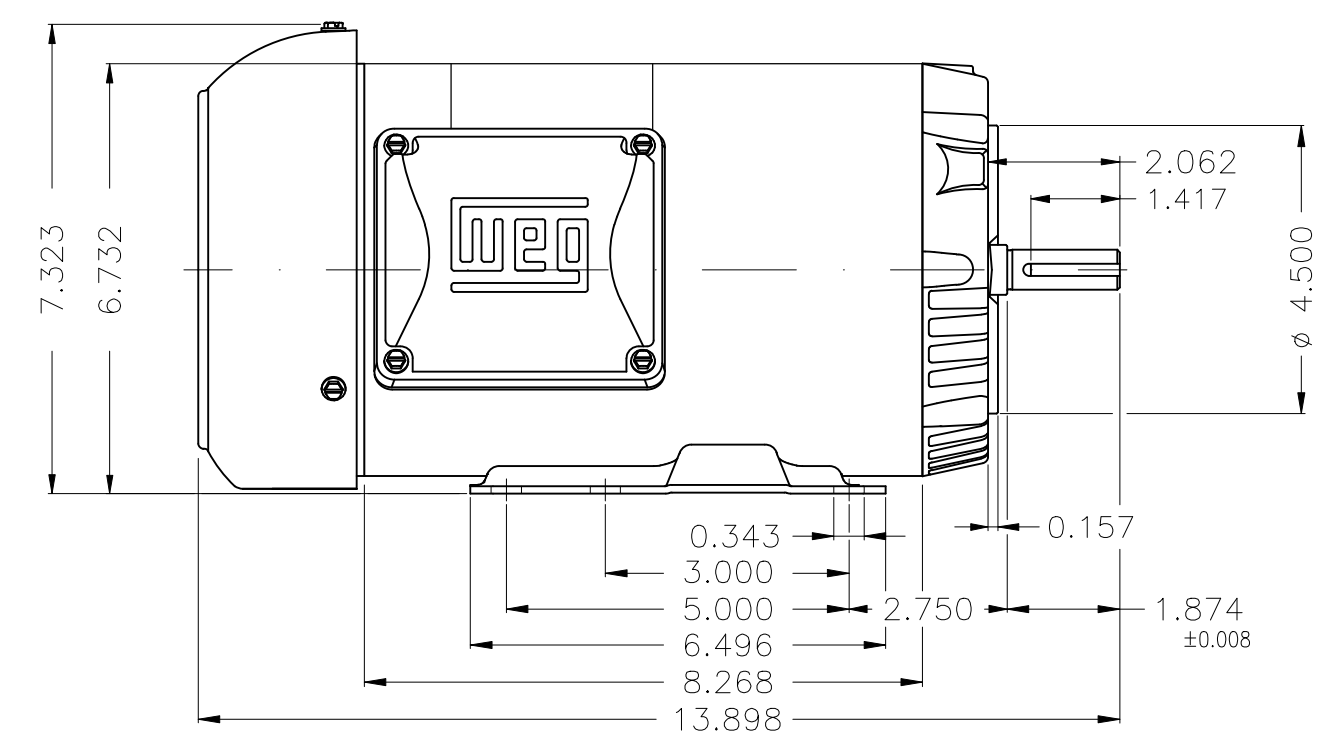
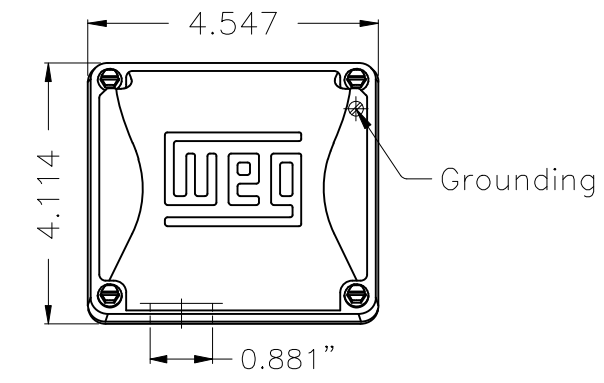
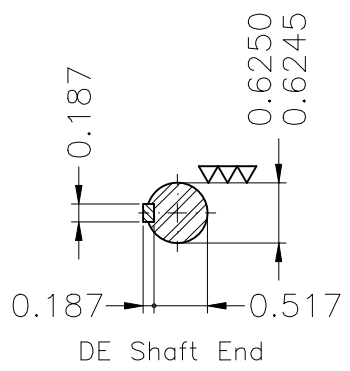
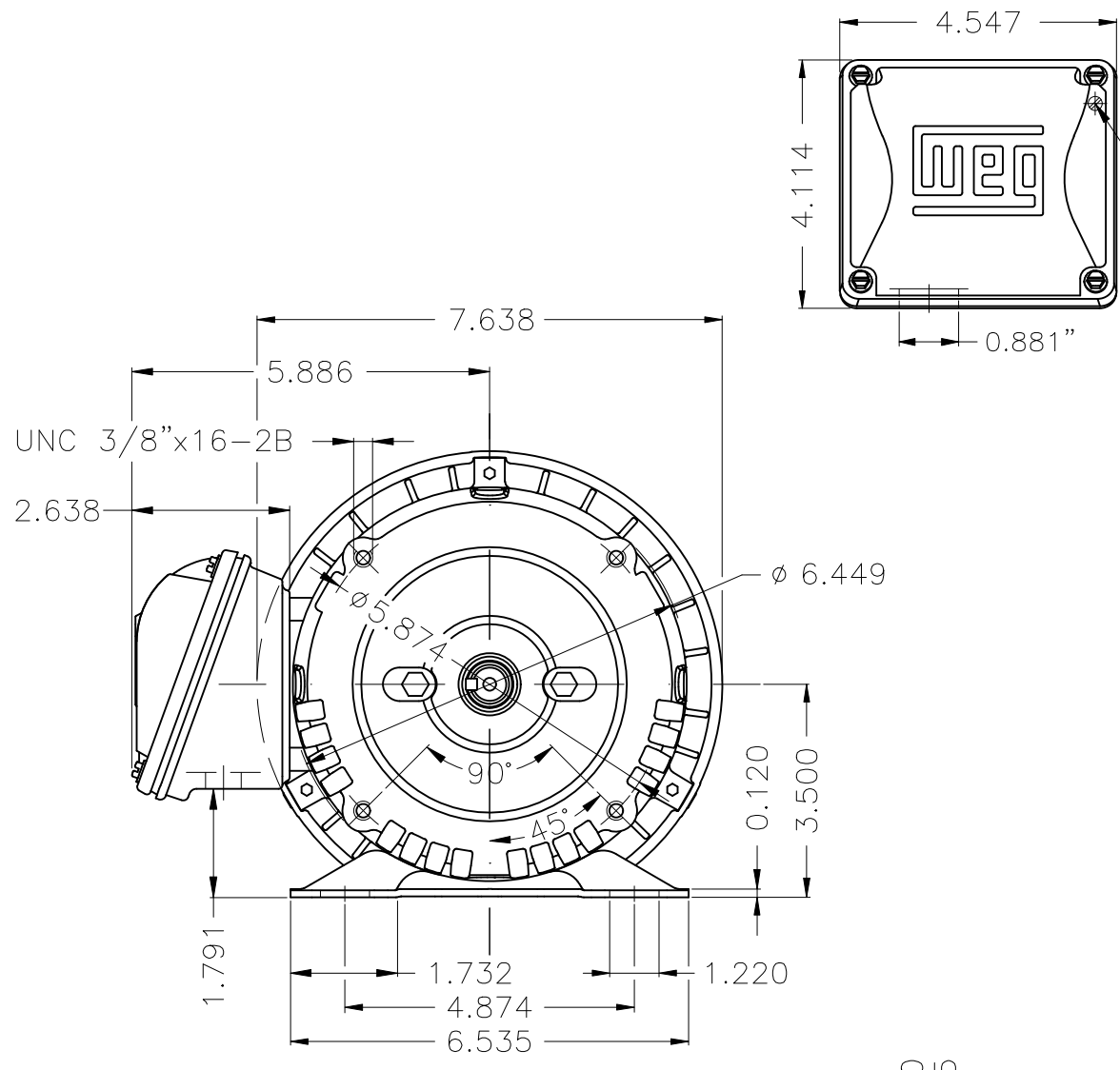



A
B
C
D
E



Dimensions in inches

Fan cover - steel plate									
Color Munsell N 1 matte black									
Painting plan 207N									
Mounting B34D									
						HYBRISUSER			
						00			
ECM	LOC	SUMMARY OF MODIFICATIONS			EXECUTED	CHECKED	RELEASED	DATE	VER
EXECUTED	HYBRISUSER	THREE PH. MOTOR ROLLED STEEL PREM. EFF.			PREVIEW				
CHECKED		FRAME 56HC IP55 TEFC			WDD		00		
RELEASED					SHEET		1 / 1		
REL. DATE		WMO	Jaragua do Sul	Product Engineering					

2 HP 04 Poles 60 Hz

A

XME A3