

1 2 3 4 5 6

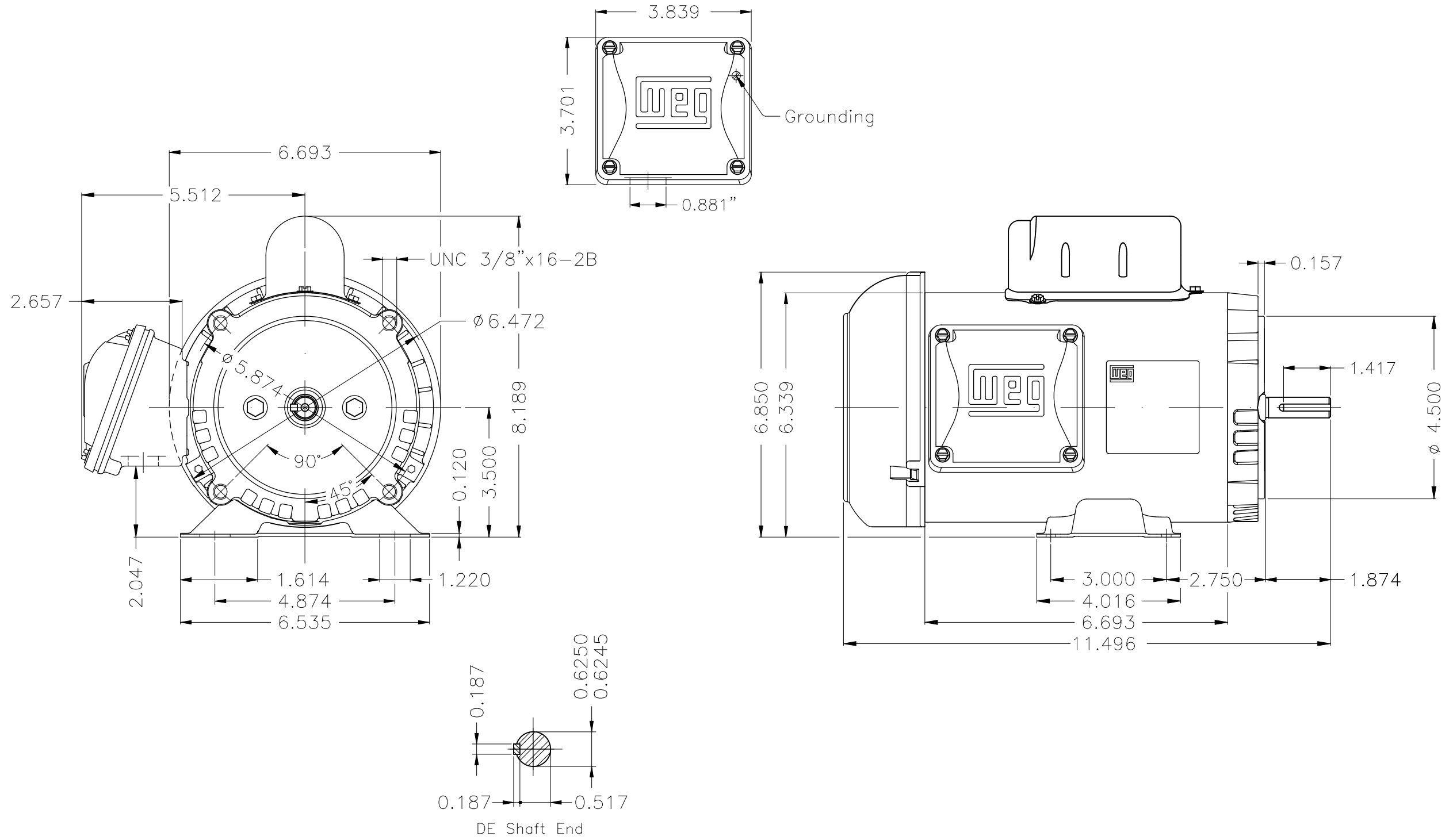
A

B

C

D

E



Mounting B34D									
ECM	LOC	SUMMARY OF MODIFICATIONS			EXECUTED	CHECKED	RELEASED	DATE	VER
EXECUTED	HYBRISUSER	SINGLE PH. MOTOR ROLLED STEEL FARM DUTY							00
CHECKED		FRAME W56C IP55 TEFC							
RELEASED									
REL. DATE		WMO	Jaragua do Sul	Product Engineering					

0.33 HP 04 Poles 60 Hz

A

PREVIEW
WDD 00
SHEET 1 / 1

