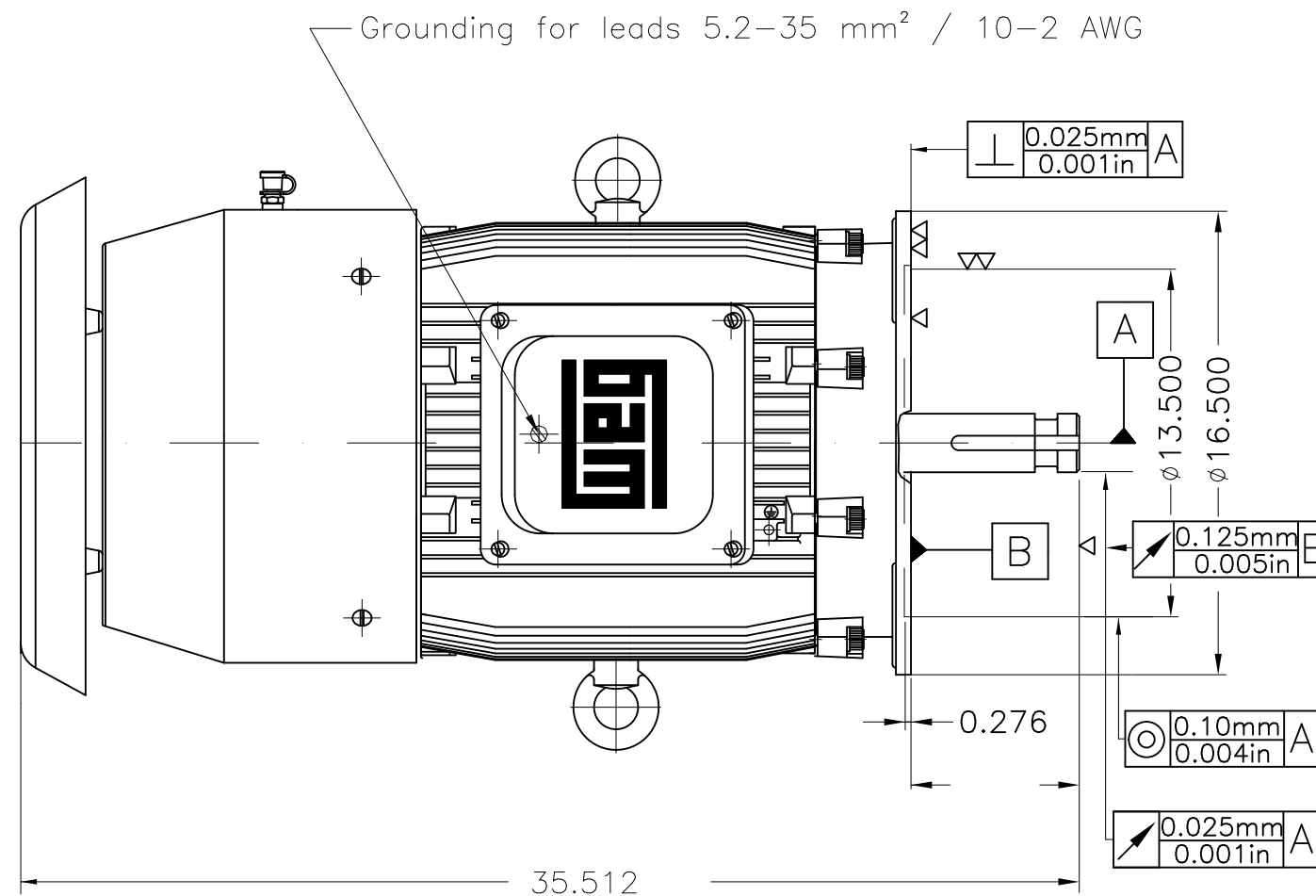
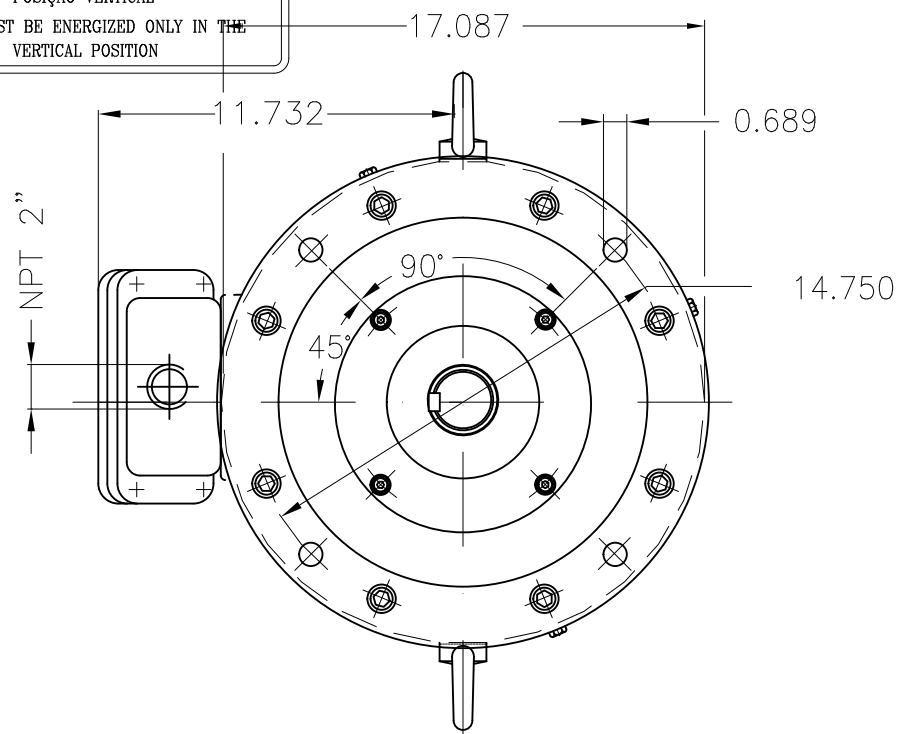
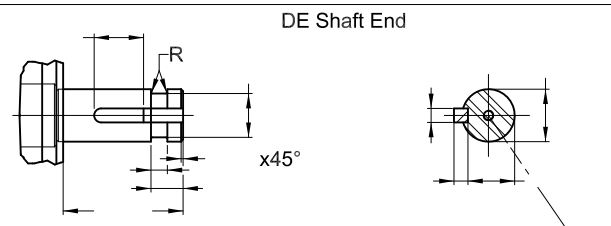


**ATENÇÃO/ATTENTION**

MOTOR DEVE SER LIGADO APENAS NA POSIÇÃO VERTICAL  
MOTOR MUST BE ENERGIZED ONLY IN THE VERTICAL POSITION



- Rubber drain plug
- Without switch off thermal protection
- B key
- Grease - Mobil Polyrex EM
- Plastic flat plug
- Class F insulation - 80K temperature rise
- Without Space Heaters
- Shaft material - SAE/ABNT 1040/45
- Rotation CW and CCW
- Dipping impregnation - polyester
- Without terminal block
- NDE sealing - lip seal
- Aluminum fan
- Bearing cap
- Reduced balancing with half key
- Without epoxi in the cables outlet
- Certification CSA/UL
- Packing - crate
- Without thermal protection on bearings
- With grease fitting
- Color RAL 5009
- Painting plan 203A
- Service factor 1.25
- Mounting NEMA W-6
- Mounting V1



40 HP 02 Poles 60 Hz A

		HYBRISUSER				00
ECM	LOC	SUMMARY OF MODIFICATIONS	EXECUTED	CHECKED	RELEASED	DATE
EXECUTED	HYBRISUSER		THREE PH. MOTOR IN LINE EXTRA THRUST NEMA PREM. EFF. FRAME 324LP IP55 TEFC			
CHECKED			<b>PREVIEW</b>			
RELEASED			WDD   00			
REL. DATE			SHEET 1 / 1			
		WMO Jaragua do Sul	Product Engineering			

Dimensions in inches

XME A3