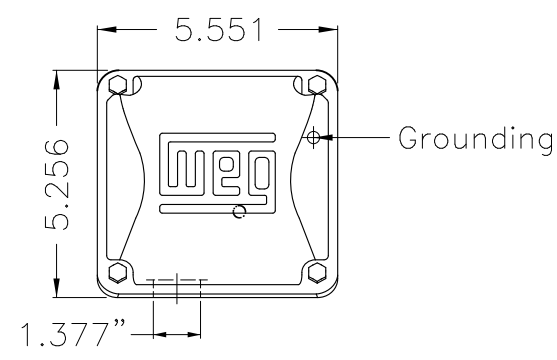
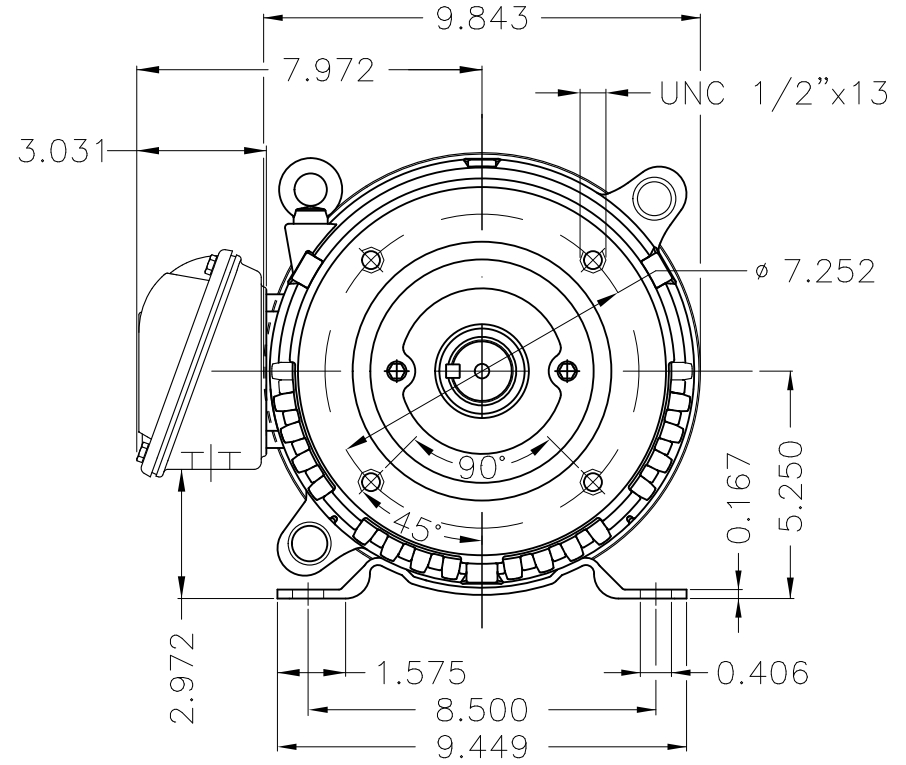


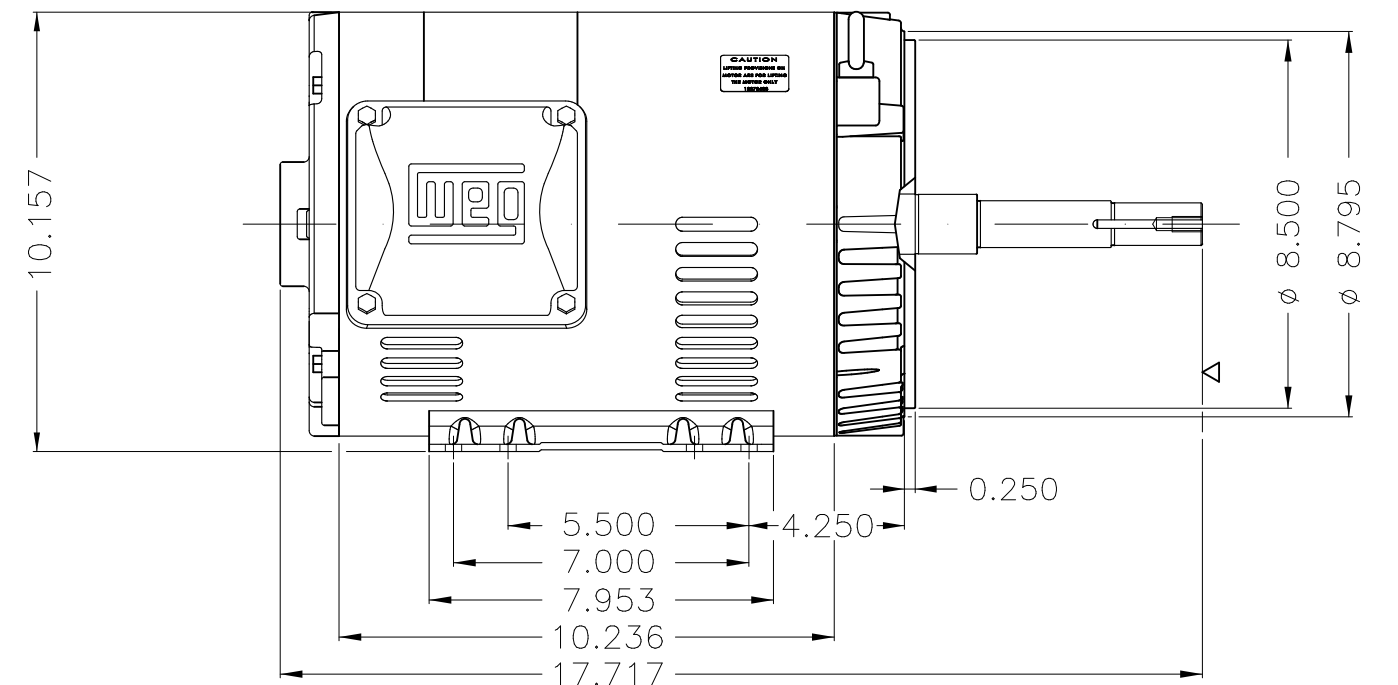
A



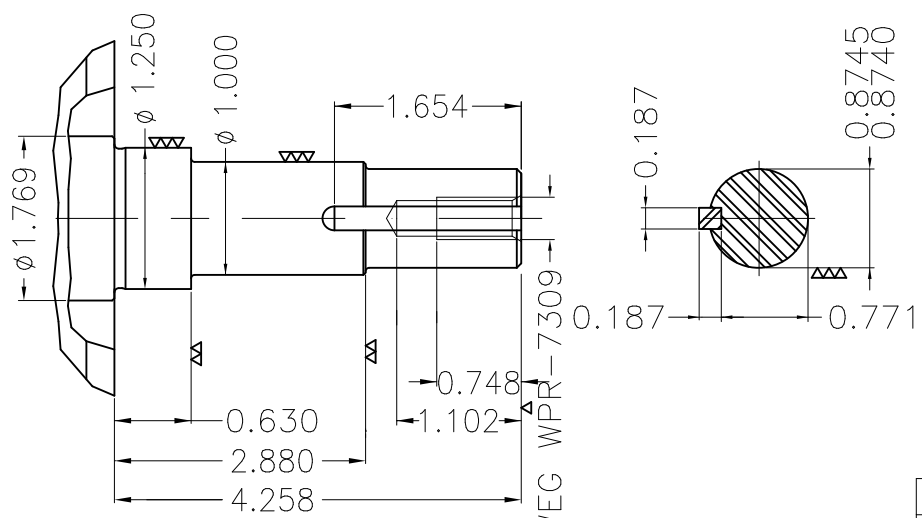
B



C



D



DE Shaft End

EUNC 3/8"-16 WEG WPR-7309

E

Color Munsell N 1 matte black					
Painting plan 207N					
Mounting F-1/B34R(D)					
				HYBRISUSER	00
ECM	LOC	SUMMARY OF MODIFICATIONS		EXECUTED	CHECKED
EXECUTED	HYBRISUSER	THREE PH. MOTOR ROLLED STEEL CLOSE COUPLED PUMP IN TYPE NEW PREM. EFF.		RELEASED	DATE
CHECKED		FRAME 213/5JM IP21 ODP			
RELEASED					
REL. DATE		WMO	Jaragua do Sul	Product Engineering	
				WDD	00
				SHEET	1 / 1

3 HP 06 Poles 60 Hz