

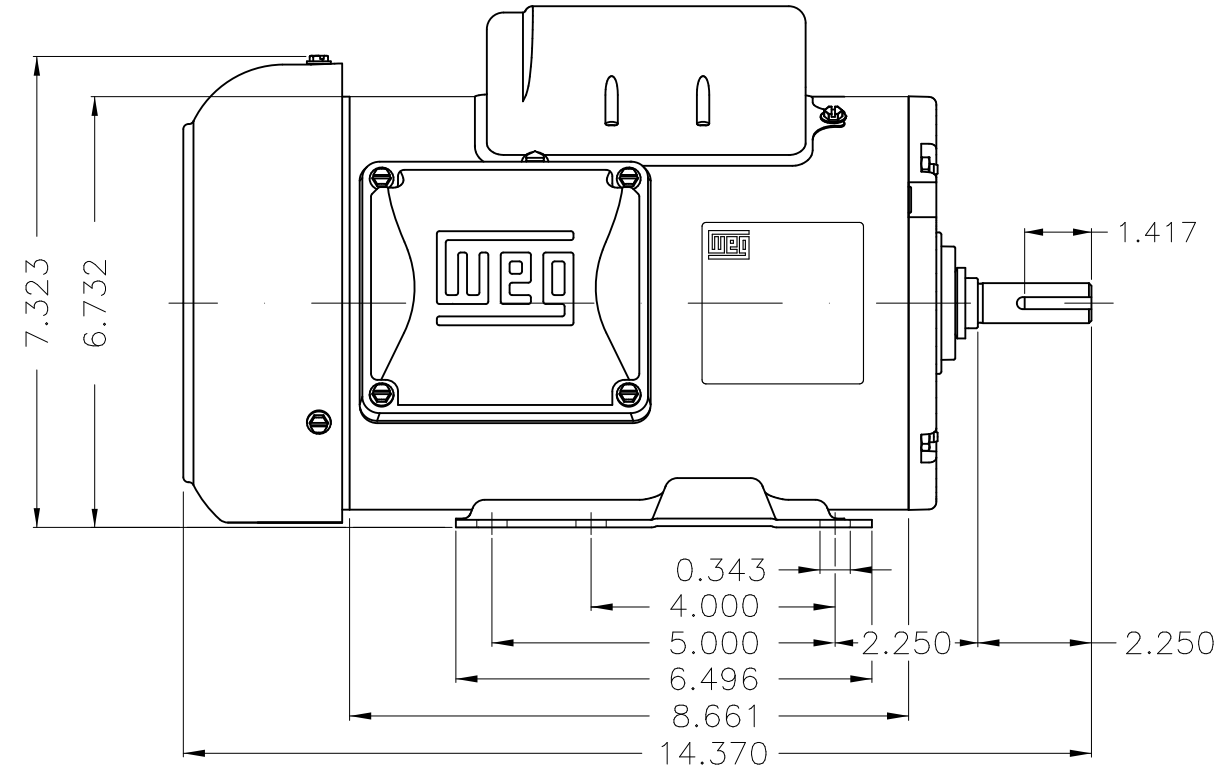
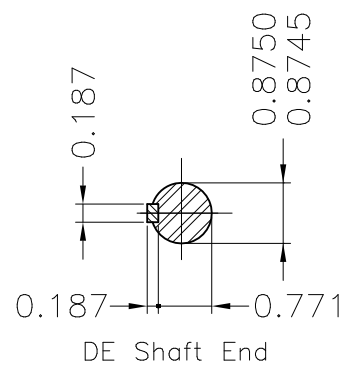
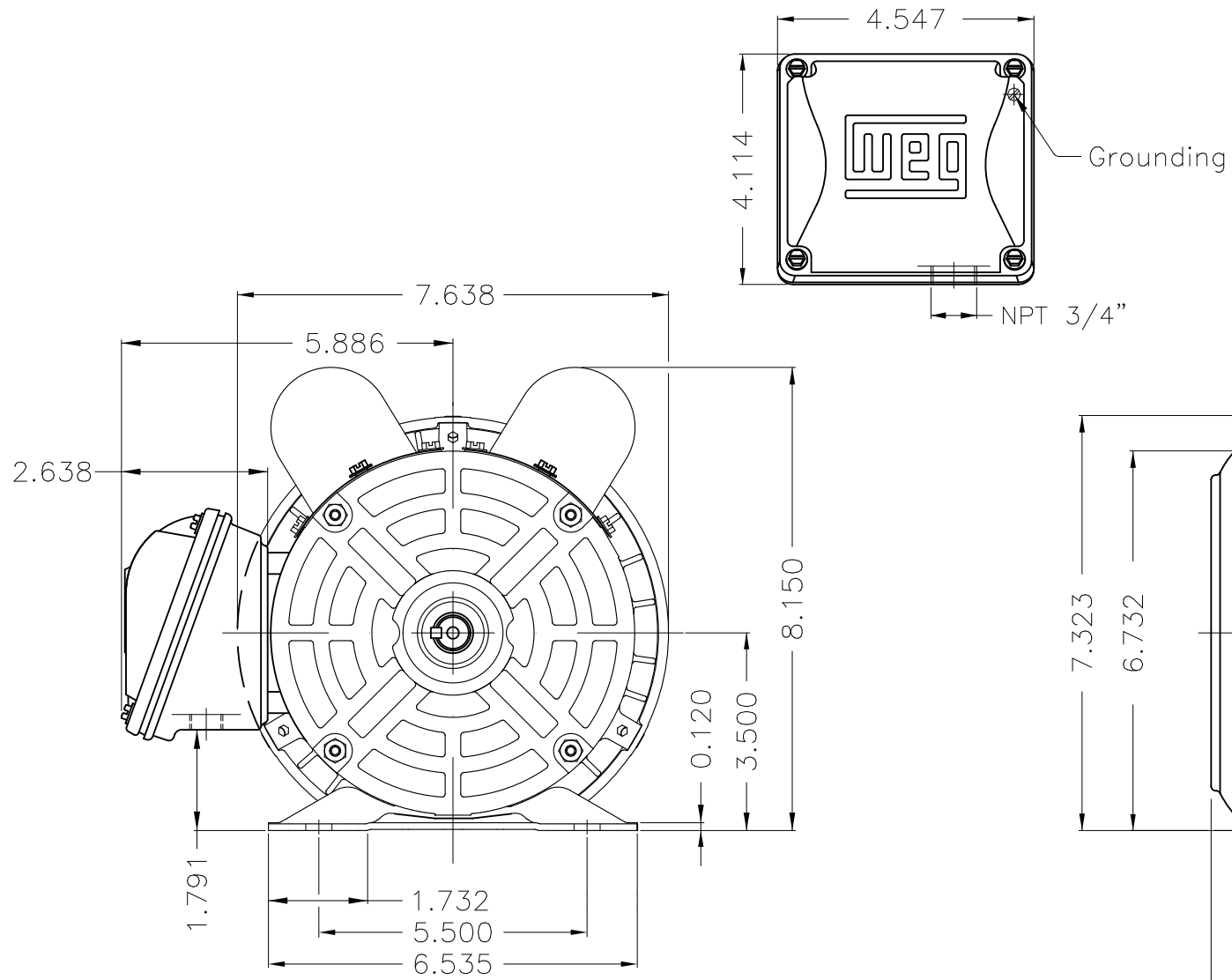
A

B

C

D

E



Fan cover - steel plate					
Mounting F-1/B3R(D)					
				HYBRISUSER	00
ECM	LOC	SUMMARY OF MODIFICATIONS		EXECUTED	CHECKED
EXECUTED	HYBRISUSER	SINGLE PH. MOTOR ROLLED STEEL			
CHECKED		FRAME 143/5T IP55 TEFC			
RELEASED					
REL. DATE		WMO	Jaragua do Sul	Product Engineering	

2 HP 02 Poles 60 Hz

A PREVIEW WDD 00 SHEET 1 / 1

