

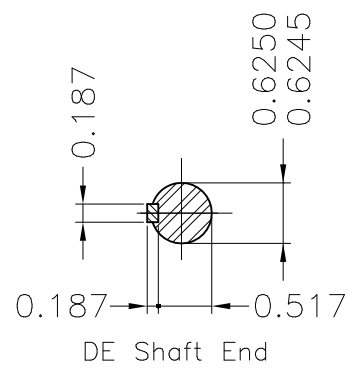
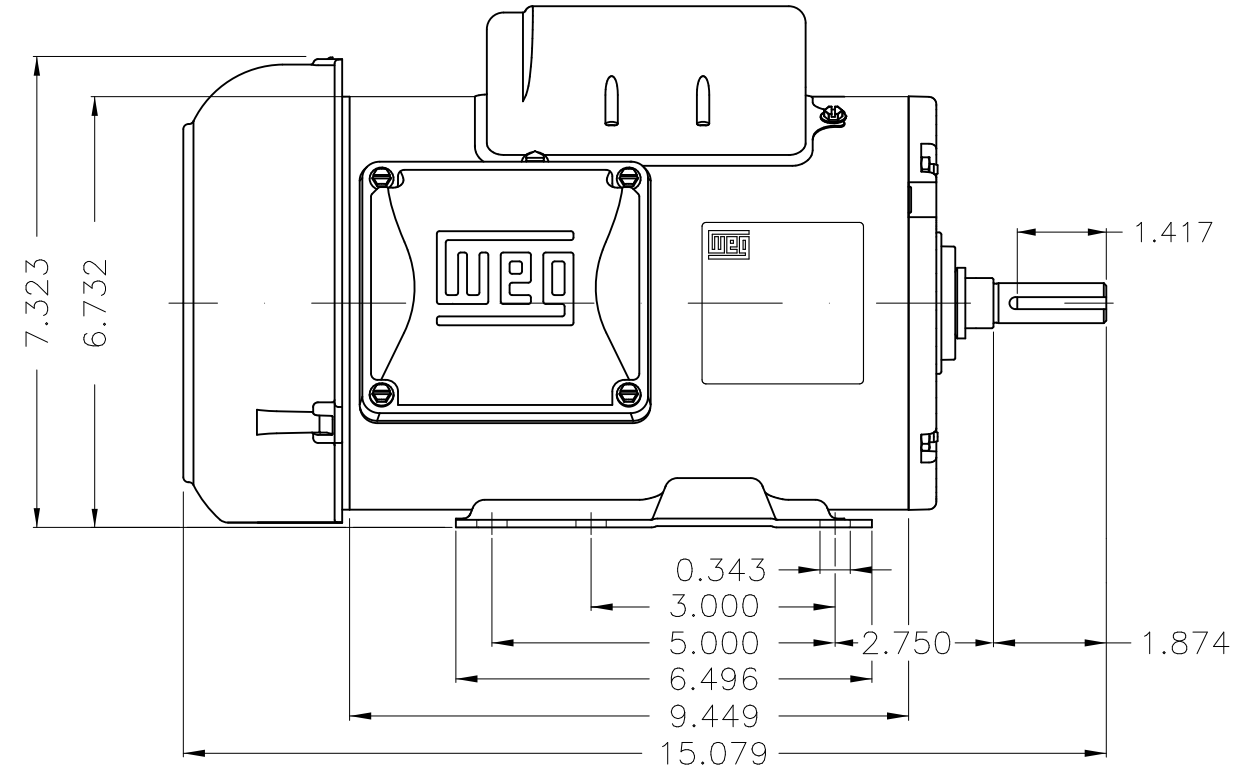
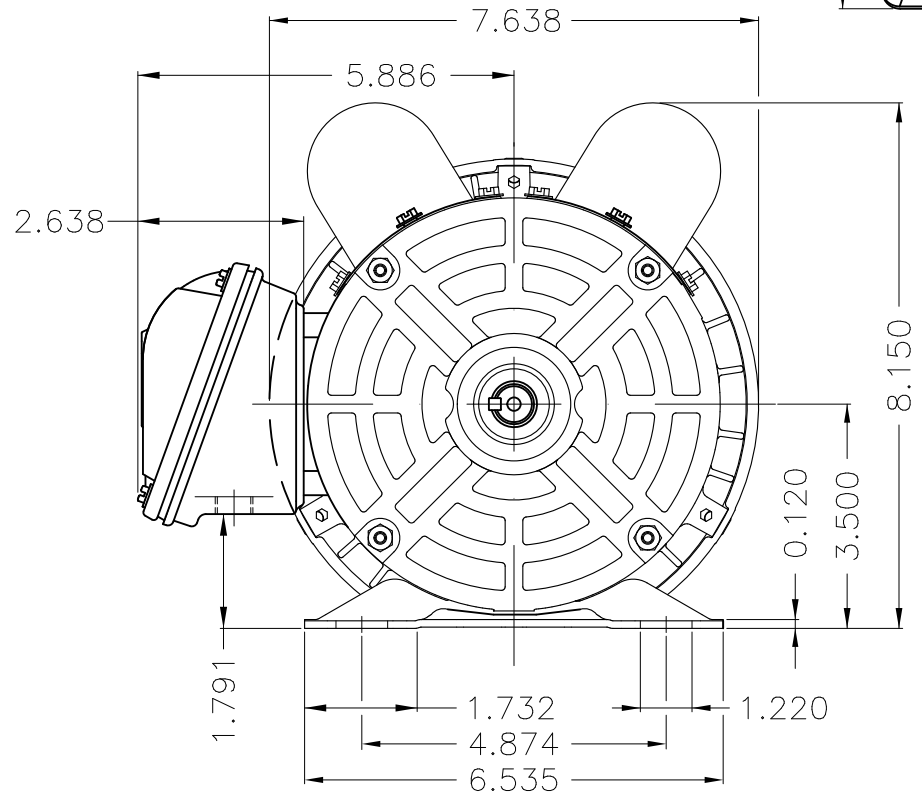
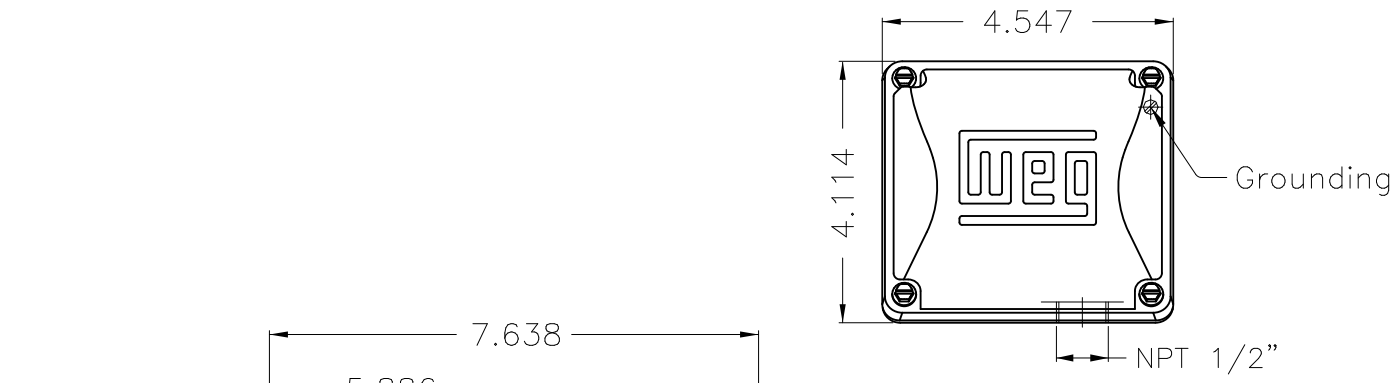
A

B

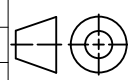

C

D

E



Dimensions in inches

Color RAL 3002					
Mounting F-1/B3R(D)					
				HYBRISUSER	00
ECM	LOC	SUMMARY OF MODIFICATIONS	EXECUTED	CHECKED	RELEASED
EXECUTED	HYBRISUSER	 SINGLE PH. MOTOR ROLLED STEEL FARM DUTY FRAME 56H IP55 TEFC	PREVIEW WDD   00		
CHECKED					
RELEASED					
REL. DATE		WMO Jaragua do Sul	Product Engineering	SHEET	1 / 1

1.5 HP 04 Poles 60 Hz

A