

1 2 3 4 5 6

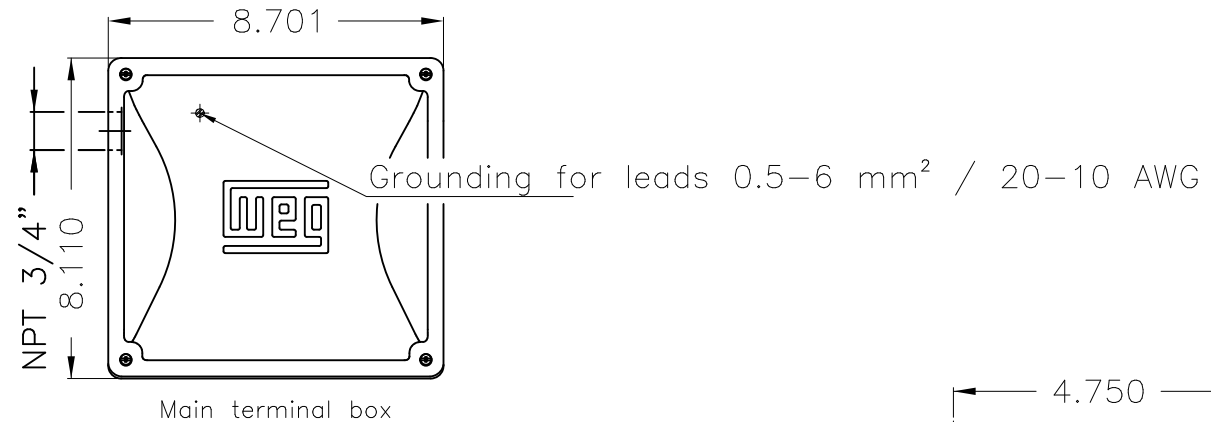
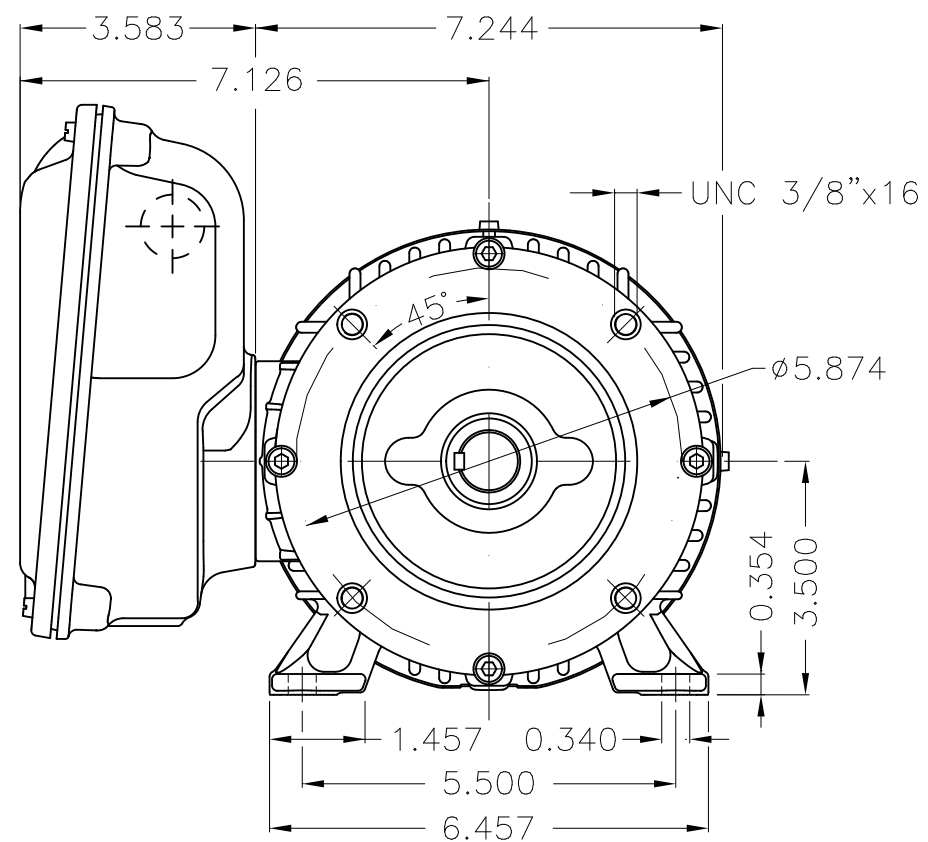
A

B

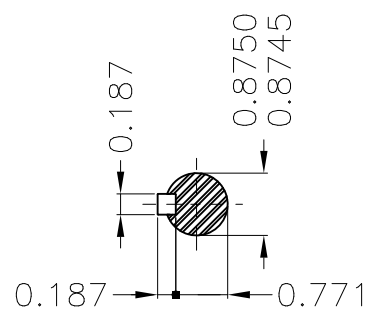
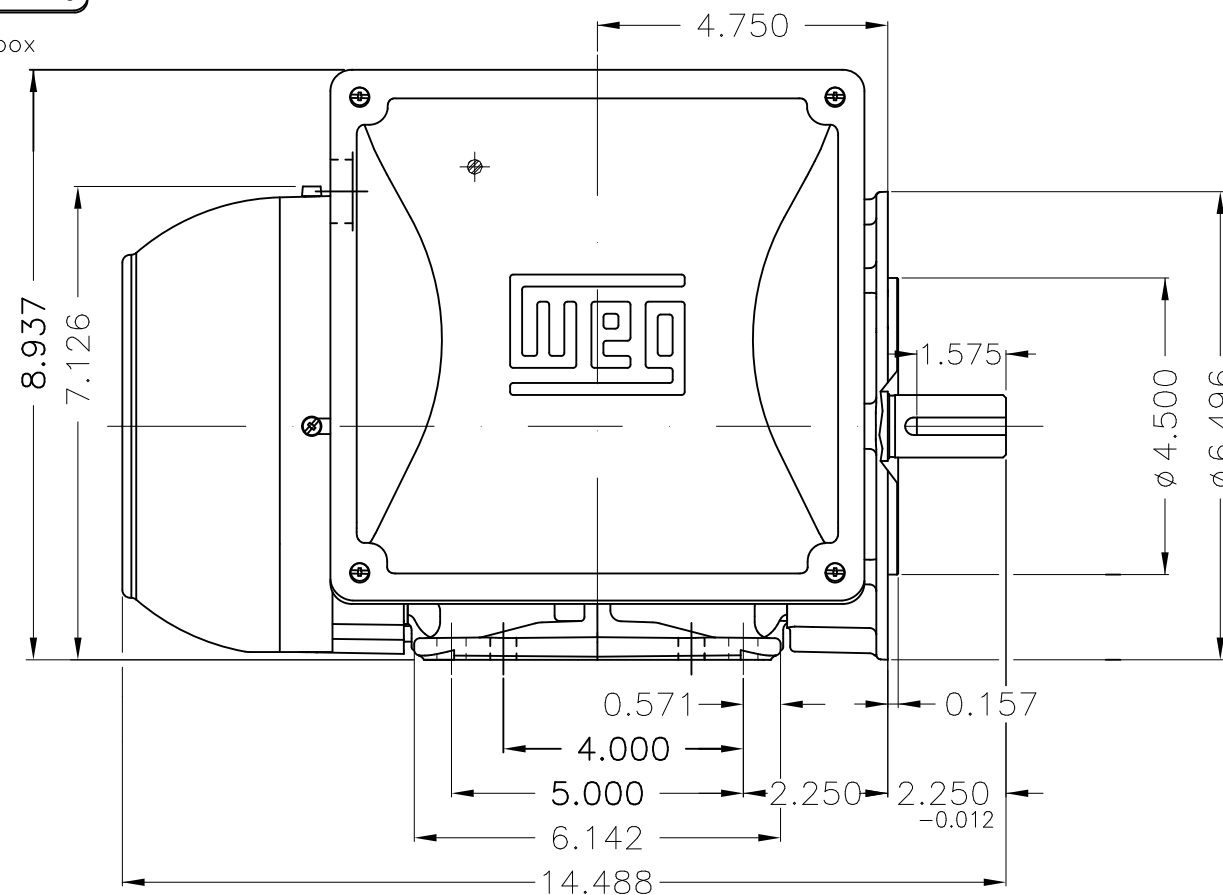
C

D

E



Main terminal box



DE Shaft End

Dimensions in inches

Mounting NEMA F-1					
Mounting B34R(D)					
				HYBRISUSER	00
ECM	LOC	SUMMARY OF MODIFICATIONS		EXECUTED	CHECKED
EXECUTED	HYBRISUSER	SINGLE PH. MOTOR W22			
CHECKED		FRAME 143/5TC IP55 TEFC			
RELEASED					
REL. DATE		WMO	Jaragua do Sul	Product Engineering	
				PREVIEW	
				WDD	00
				SHEET	1 / 1

1 HP 04 Poles 60 Hz

A



XME A3