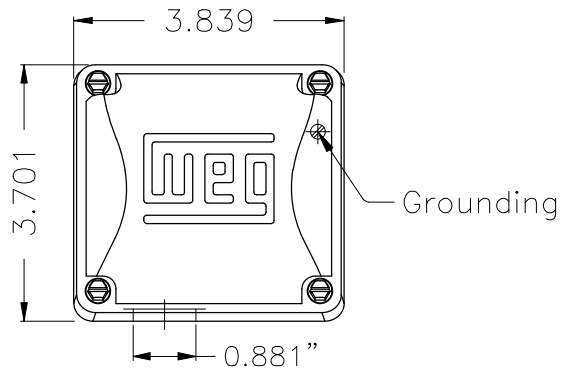
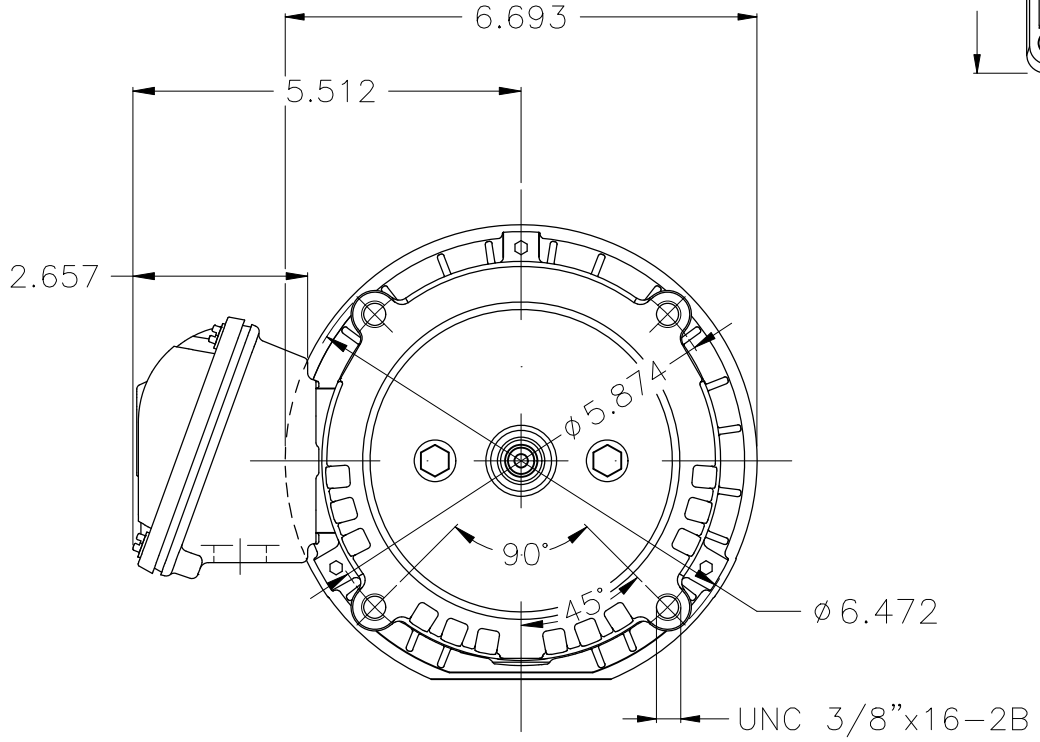


1 2 3 4 5 6

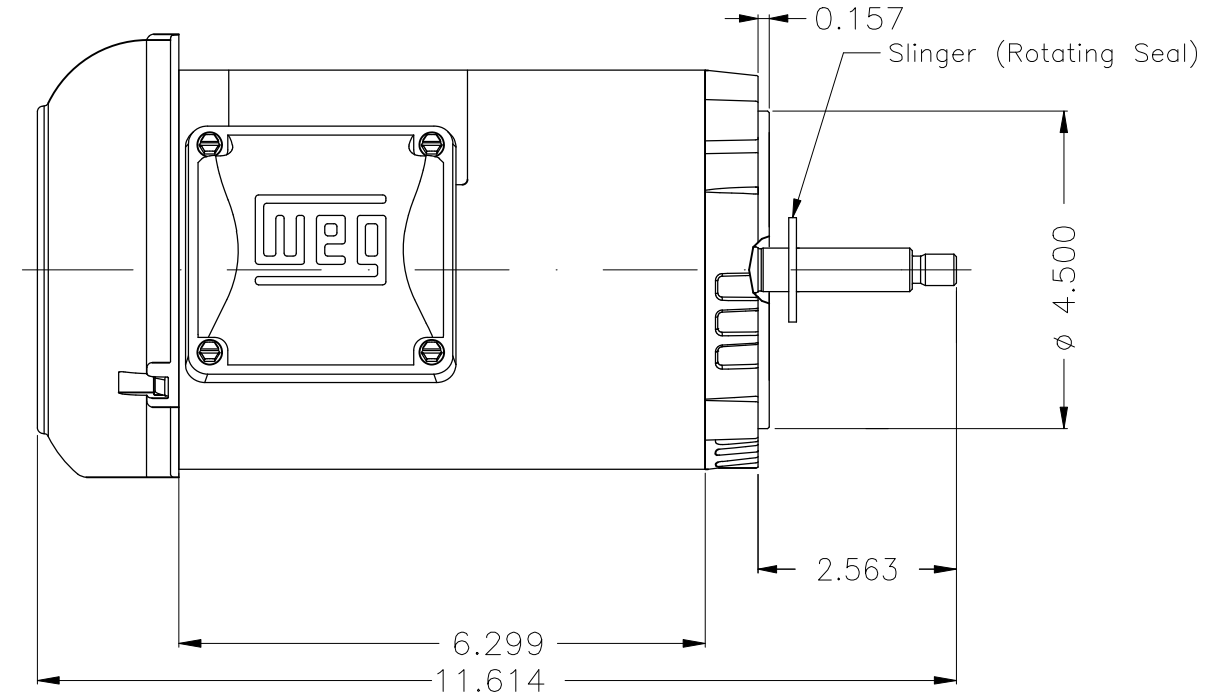
A



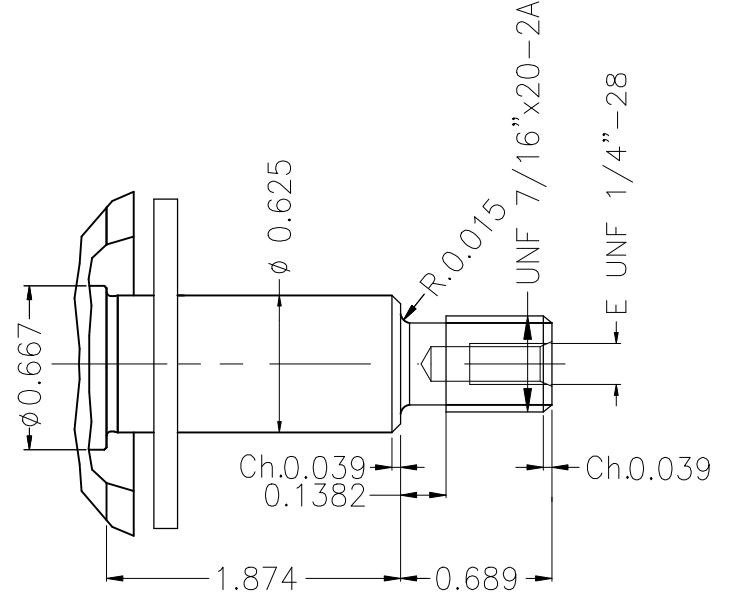
B



C



D



E

NDE sealing - V ring						
Color Munsell N 1 matte black						
Painting plan 207N						
Mounting W-6/V18R(D)						
				HYBRISUSER		00
ECM	LOC	SUMMARY OF MODIFICATIONS		EXECUTED	CHECKED	RELEASED DATE VER
EXECUTED	HYBRISUSER	THREE PH. MOTOR ROLLED STEEL JET PUMP THREADED FRAME W56J IP55 TEFC				
CHECKED						
RELEASED						
REL. DATE	WMO	Jaragua do Sul	Product Engineering	WDD	00	
				SHEET		1 / 1

1 HP 02 Poles 60 Hz

A