

1 2 3 4 5 6

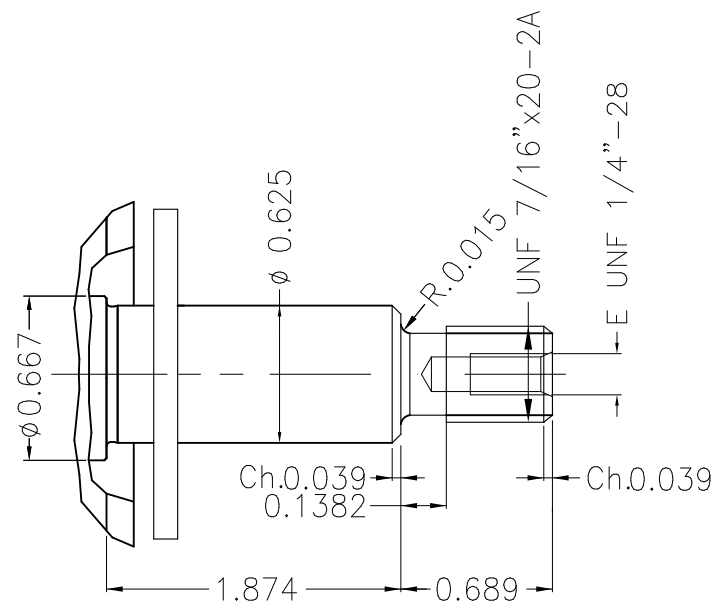
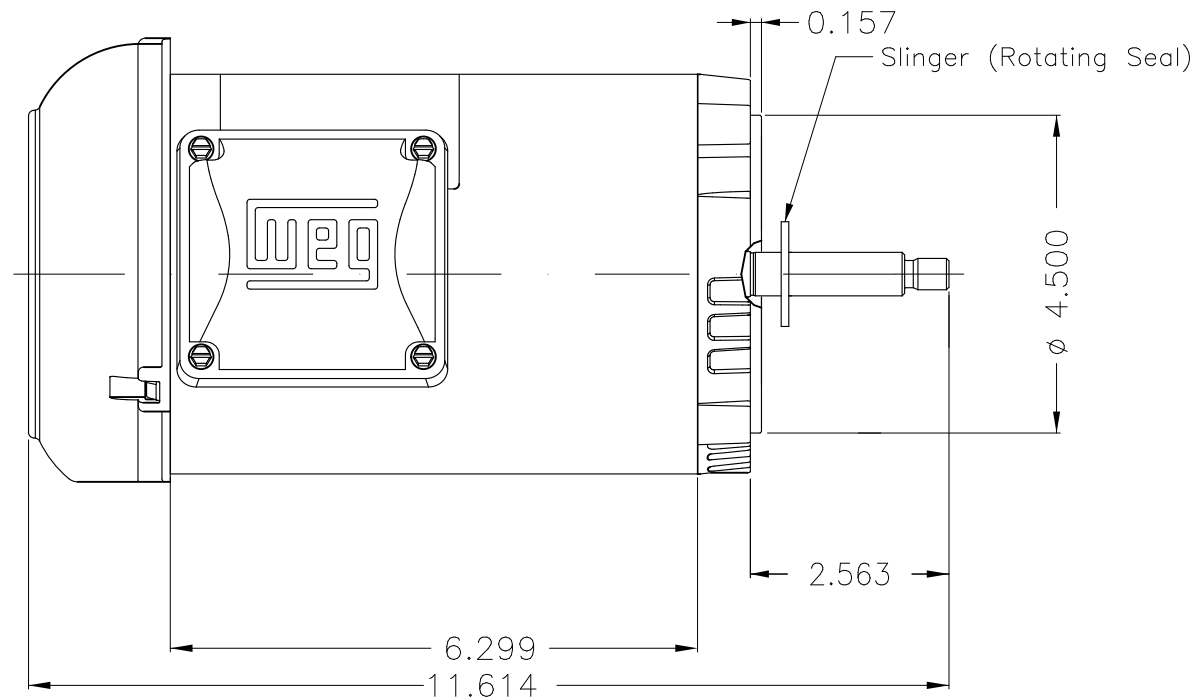
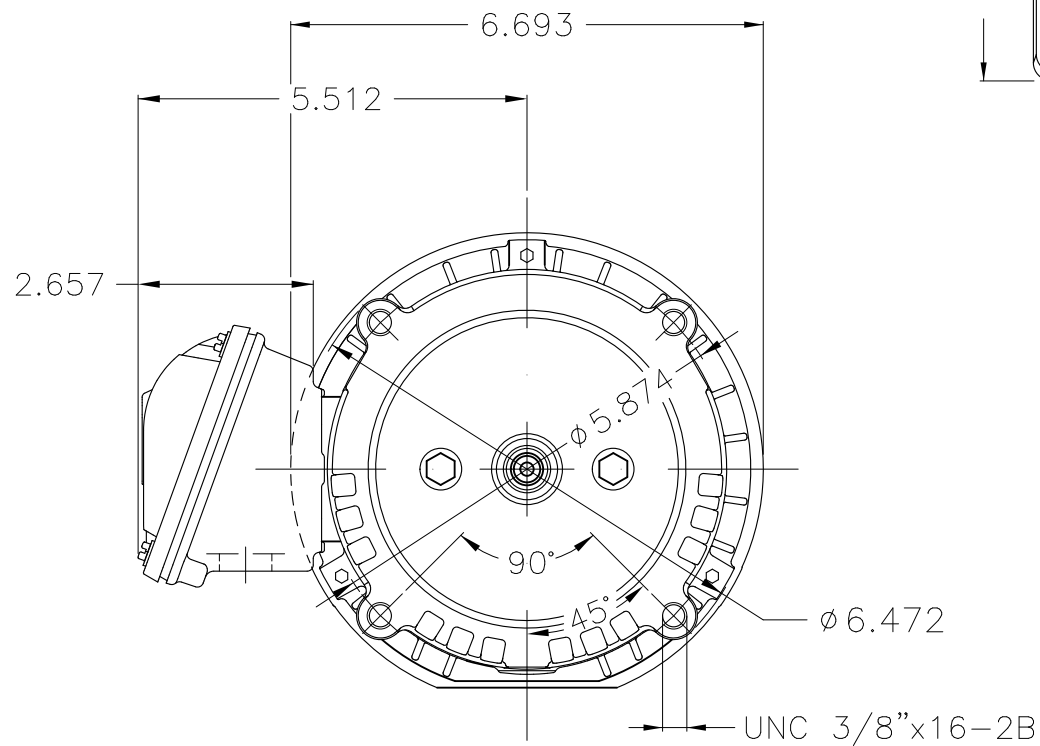
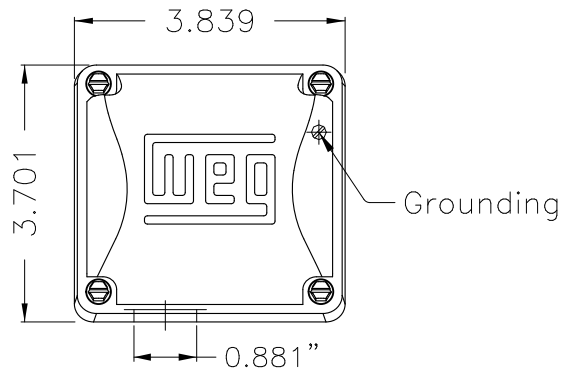
A

B

C

D

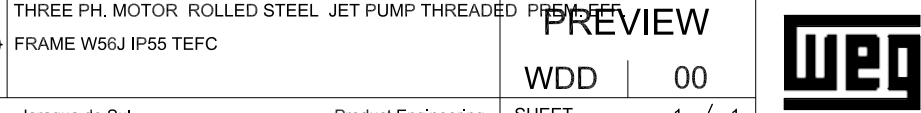
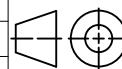
E



NDE sealing - V ring								
Color Munsell N 1 matte black								
Painting plan 207N								
Mounting W-6/V18R(D)								
					HYBRISUSER	00		
ECM	LOC	SUMMARY OF MODIFICATIONS		EXECUTED	CHECKED	RELEASED	DATE	VER
EXECUTED	HYBRISUSER	THREE PH. MOTOR ROLLED STEEL JET PUMP THREADED PUMP FEET						
CHECKED		FRAME W56J IP55 TEFC						
RELEASED								
REL. DATE		WMO	Jaragua do Sul	Product Engineering	WDD	00		
				SHEET	1	/	1	

1 HP 02 Poles 60 Hz

A



WEG's property. Forbidden reproduction without previous authorization.

Dimensions in inches

XME A3