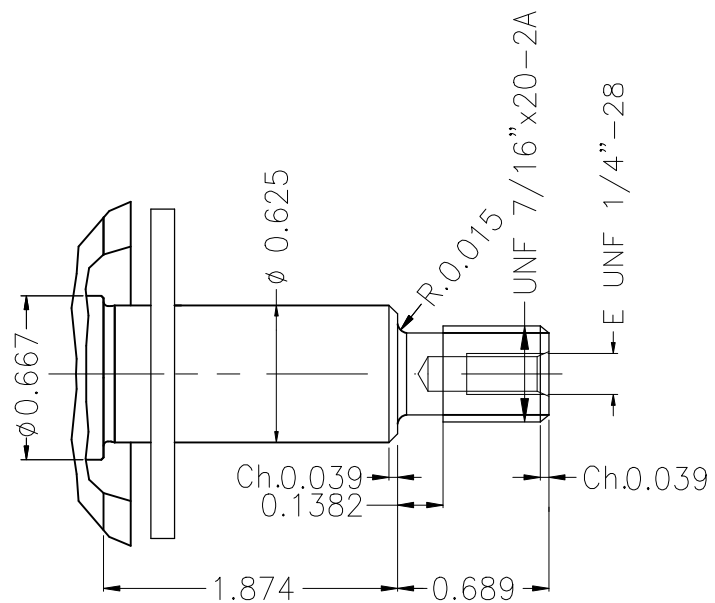
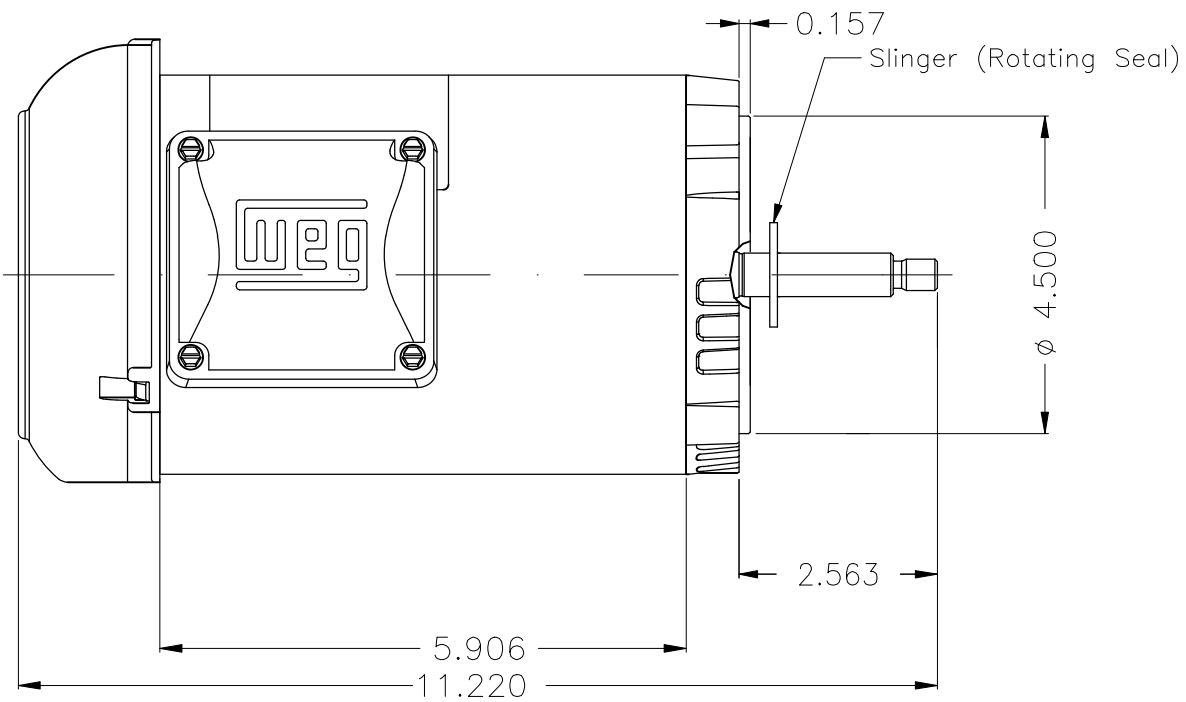
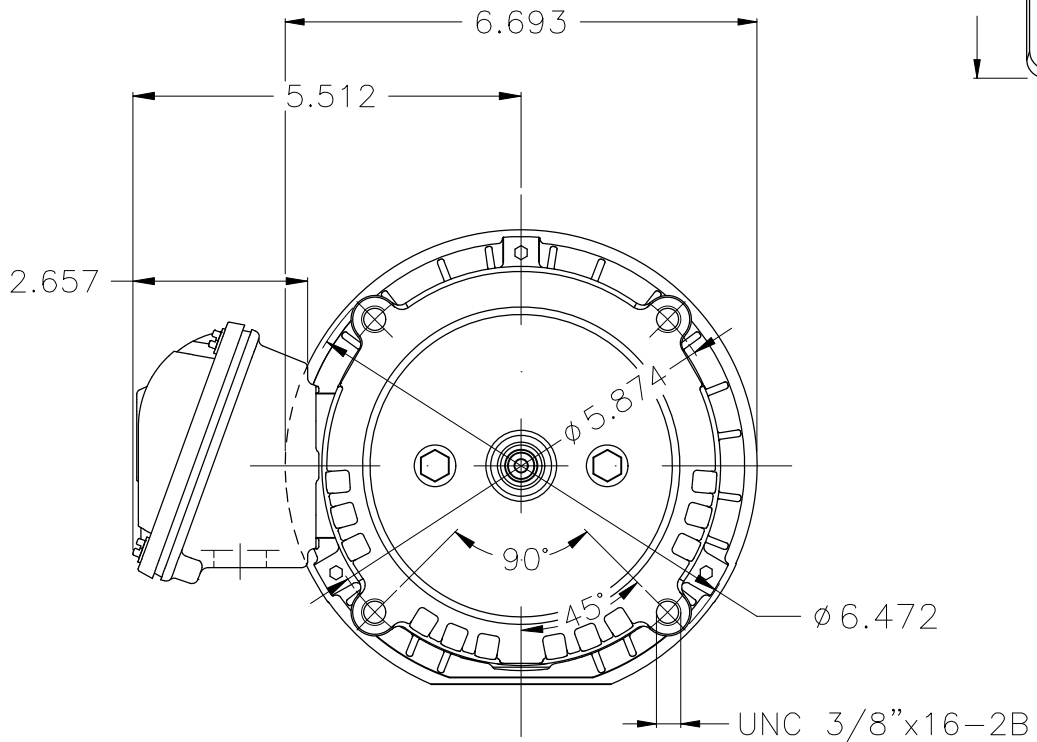
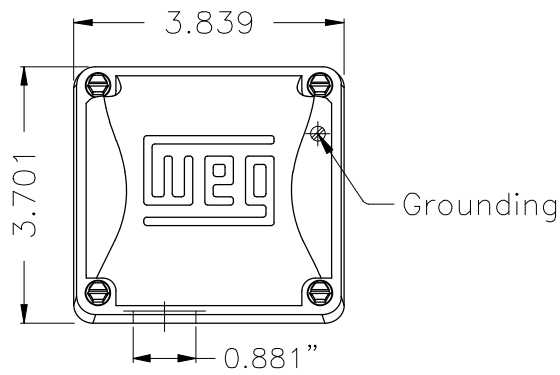


1 2 3 4 5 6

A
B
C
D
E



NDE sealing - V ring
Color Munsell N 1 matte black
Painting plan 207N
Mounting W-6/V18R(D)

						HYBRISUSER					00
ECM	LOC	SUMMARY OF MODIFICATIONS			EXECUTED	CHECKED	RELEASED	DATE	VER		
EXECUTED	HYBRISUSER	THREE PH. MOTOR ROLLED STEEL JET PUMP THREADED PREL FEET								PREVIEW	
CHECKED		FRAME W56J IP55 TEFC								WDD 00	
RELEASED										SHEET 1 / 1	
REL. DATE		WMO	Jaragua do Sul	Product Engineering							

0.75 HP 02 Poles 60 Hz

A

