

1 2 3 4 5 6

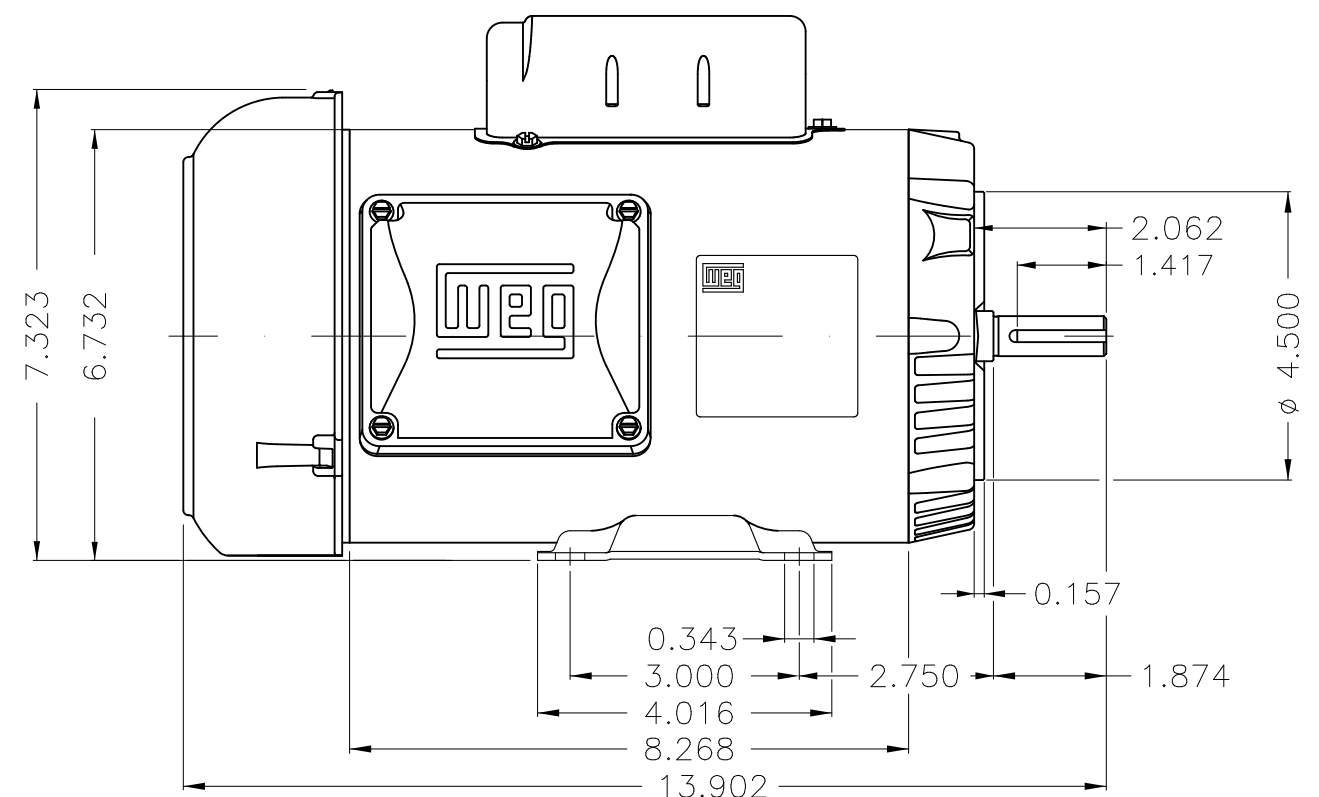
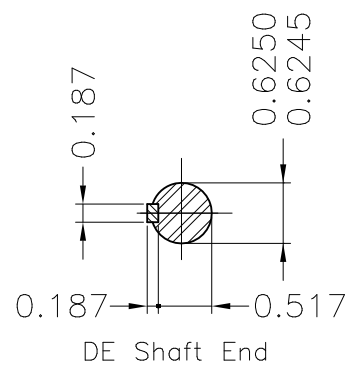
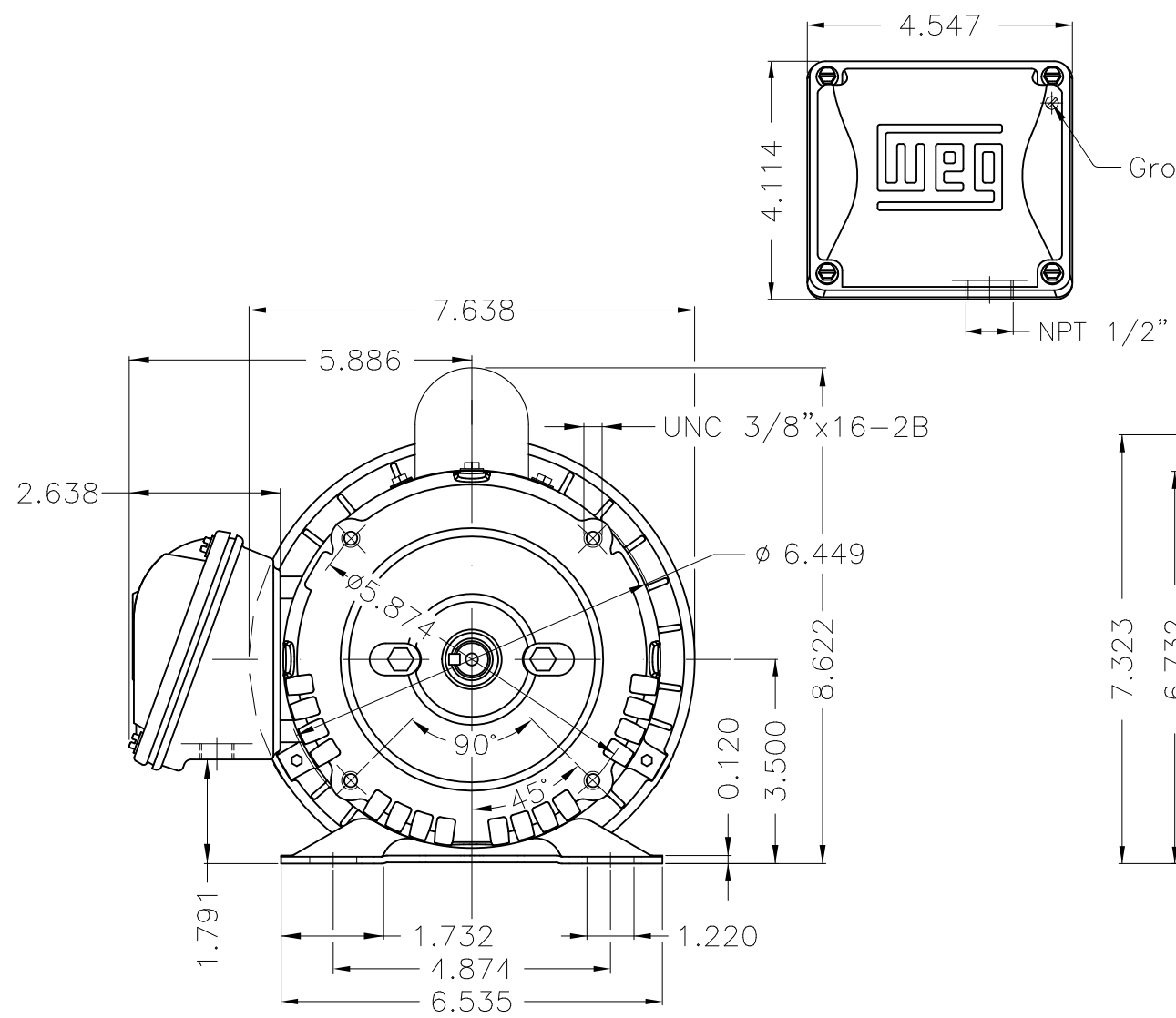
A

B

C

D

E



Color RAL 3002						
Mounting F-1/B34R(D)						
					HYBRISUSER	00
ECM	LOC	SUMMARY OF MODIFICATIONS		EXECUTED	CHECKED	RELEASED
EXECUTED	HYBRISUSER	SINGLE PH. MOTOR ROLLED STEEL FARM DUTY		EXECUTED	CHECKED	RELEASED
CHECKED		FRAME 56C IP55 TEFC		EXECUTED	CHECKED	RELEASED
RELEASED				EXECUTED	CHECKED	RELEASED
REL. DATE		WMO	Jaragua do Sul	Product Engineering	WDD	00
				SHEET	1 / 1	

1 HP 04 Poles 60 Hz

A

WEG's property. Forbidden reproduction without previous authorization.



Dimensions in inches XME A3