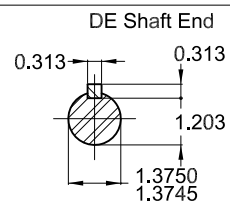
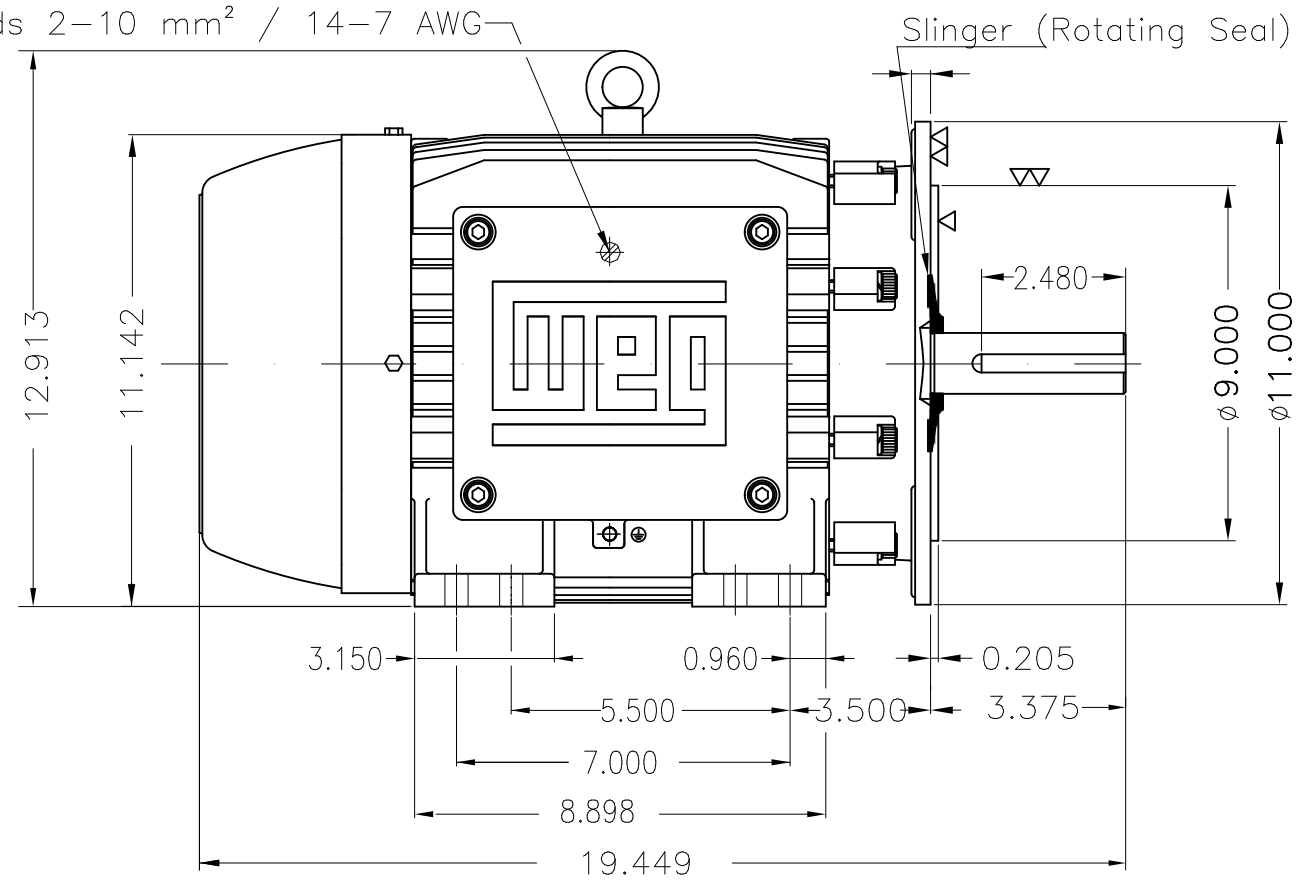


Grounding for leads 2-10 mm² / 14-7 AWG



Color RAL 5009
 Painting plan 202P
 Mounting NEMA F-1
 Mounting B35R(D)

2 HP 08 Poles 60 Hz

A

						HYBRISUSER								00	
ECM	LOC	SUMMARY OF MODIFICATIONS				EXECUTED	CHECKED	RELEASED	DATE	VER					
EXECUTED	HYBRISUSER	THREE PH. MOTOR EXPLOSION PROOF NEMA PREM. EFF.		FRAME 213/5TD IP55 TEFC		PREVIEW									
CHECKED						WDD		00							
RELEASED						SHEET		1 / 1							
REL. DATE		WMO	Jaragua do Sul	Product Engineering											

