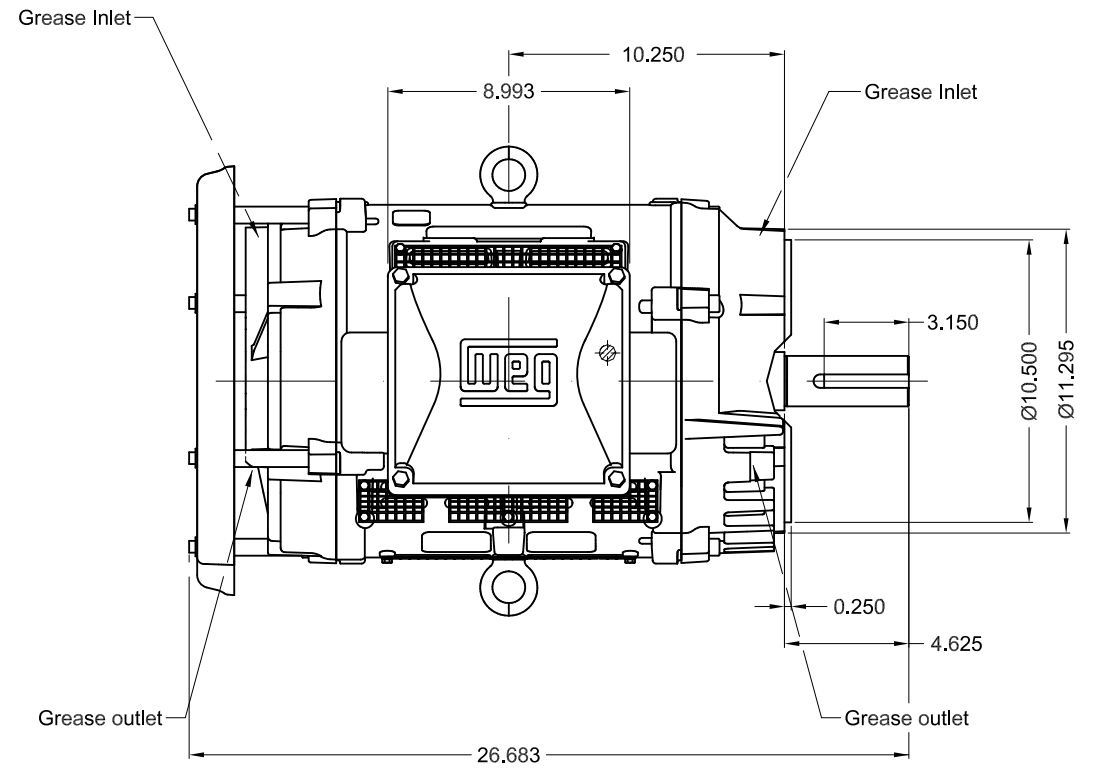


Grounding for leads 5.2-35 mm<sup>2</sup> / 10-2 AWG  
Main terminal box  
NPT 1 1/2"

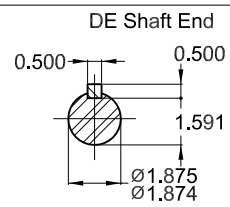


25 HP 04 Poles 60 Hz

A

1:7

- Bearing cap
- Color RAL 5009
- Painting plan 203A
- Mounting NEMA F-1
- Mounting B14R(D)



ECM		LOC	SUMMARY OF MODIFICATIONS		HYBRISUSER	EXECUTED	CHECKED	RELEASED	DATE	VER
EXECUTED	HYBRISUSER		THREE PH. MOTOR W40 NEMA PREM. EFF.							00
CHECKED			FRAME 284/6TC IP23 ODP							
RELEASED										
REL. DATE			WMO	Jaragua do Sul	Product Engineering					

PREVIEW

WDD 00

SHEET 1 / 1

