

1 2 3 4 5 6

A

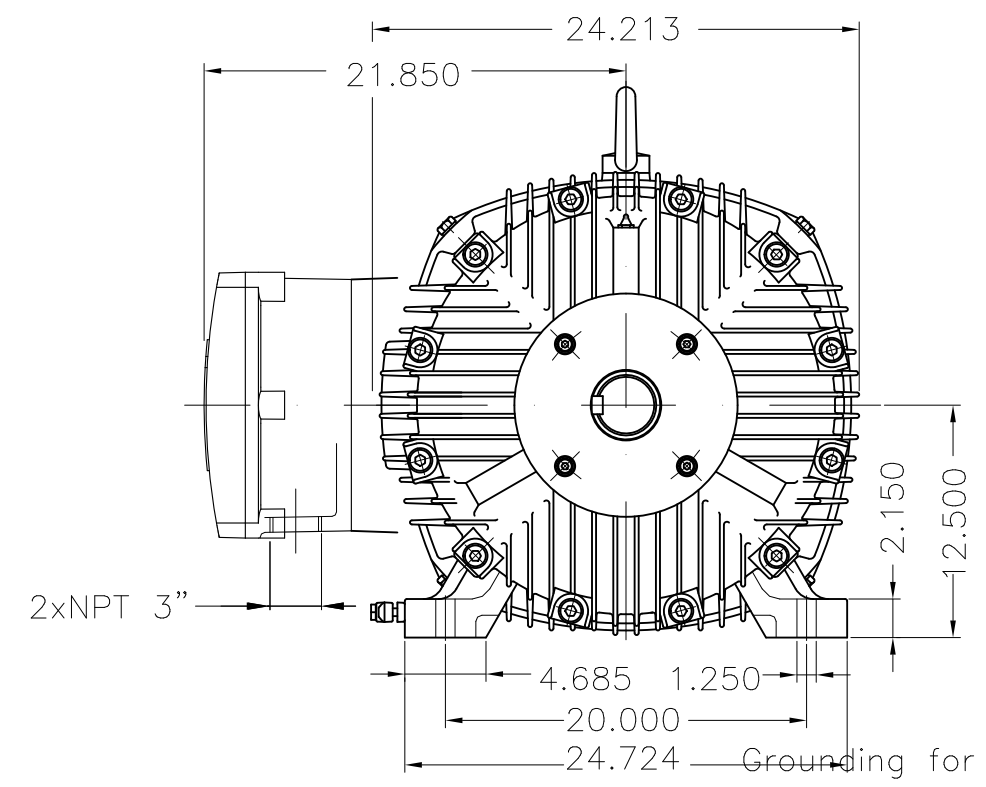
B

C

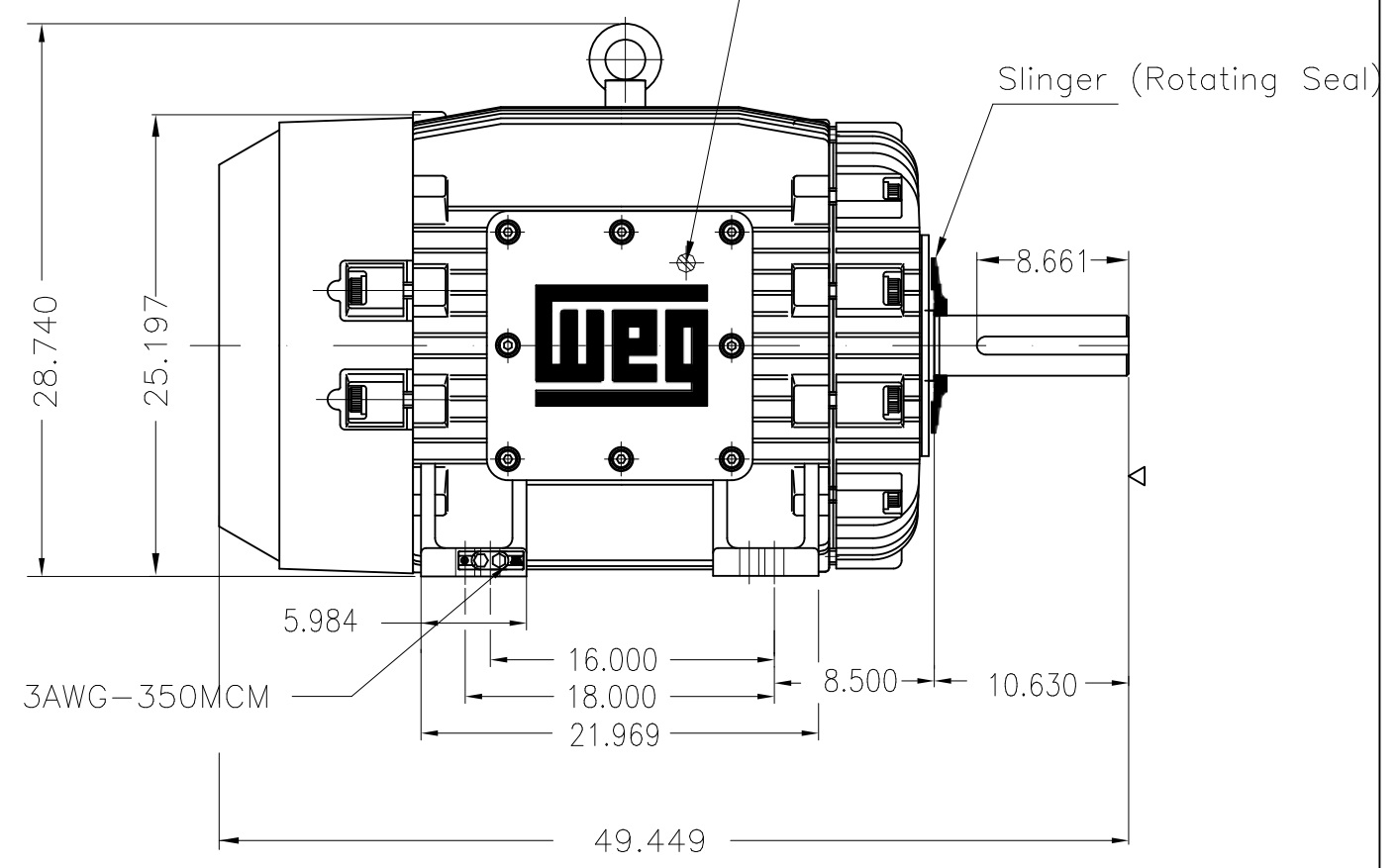
D

E

Grounding for leads 35–70 mm² / 1–2/0 AWG

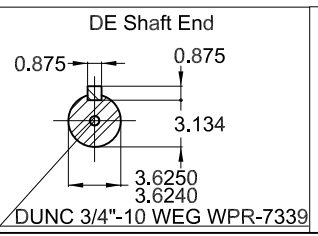


Grounding for leads 25–185 mm² / 3AWG–350MCM



200 HP 06 Poles 60 Hz A

- DE roller bearing
- Shaft locking device
- Slinger ring supplied loose
- Color RAL 5009
- Painting plan 222P
- Mounting NEMA F-1
- Mounting B3R(D)



ECM		LOC		SUMMARY OF MODIFICATIONS			HYBRISUSER		DATE		VER	
EXECUTED	HYBRISUSER						EXECUTED	CHECKED	RELEASED	DATE	VER	00
CHECKED												
RELEASED												
REL. DATE												

WMO Jaragua do Sul

THREE PH. MOTOR EXPLOSION PROOF NEMA PREM. EFF.
FRAME 504/5T IP55 TEFC

PREVIEW

WDD 00

SHEET 1 / 1

Dimensions in inches XME A3