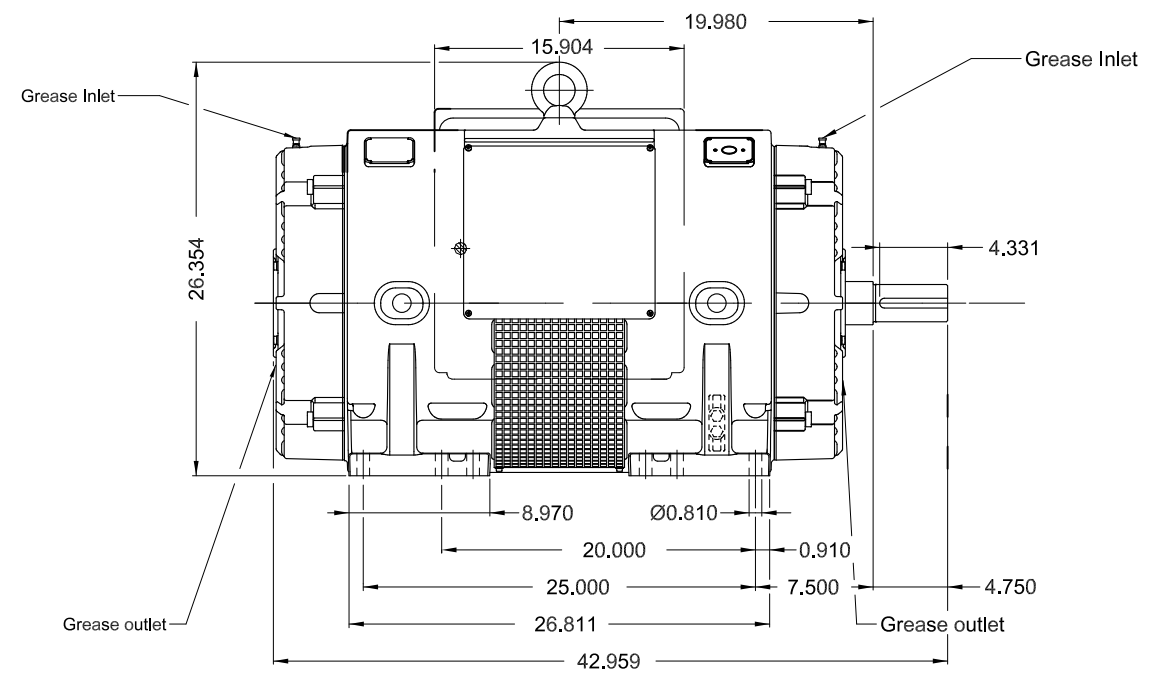
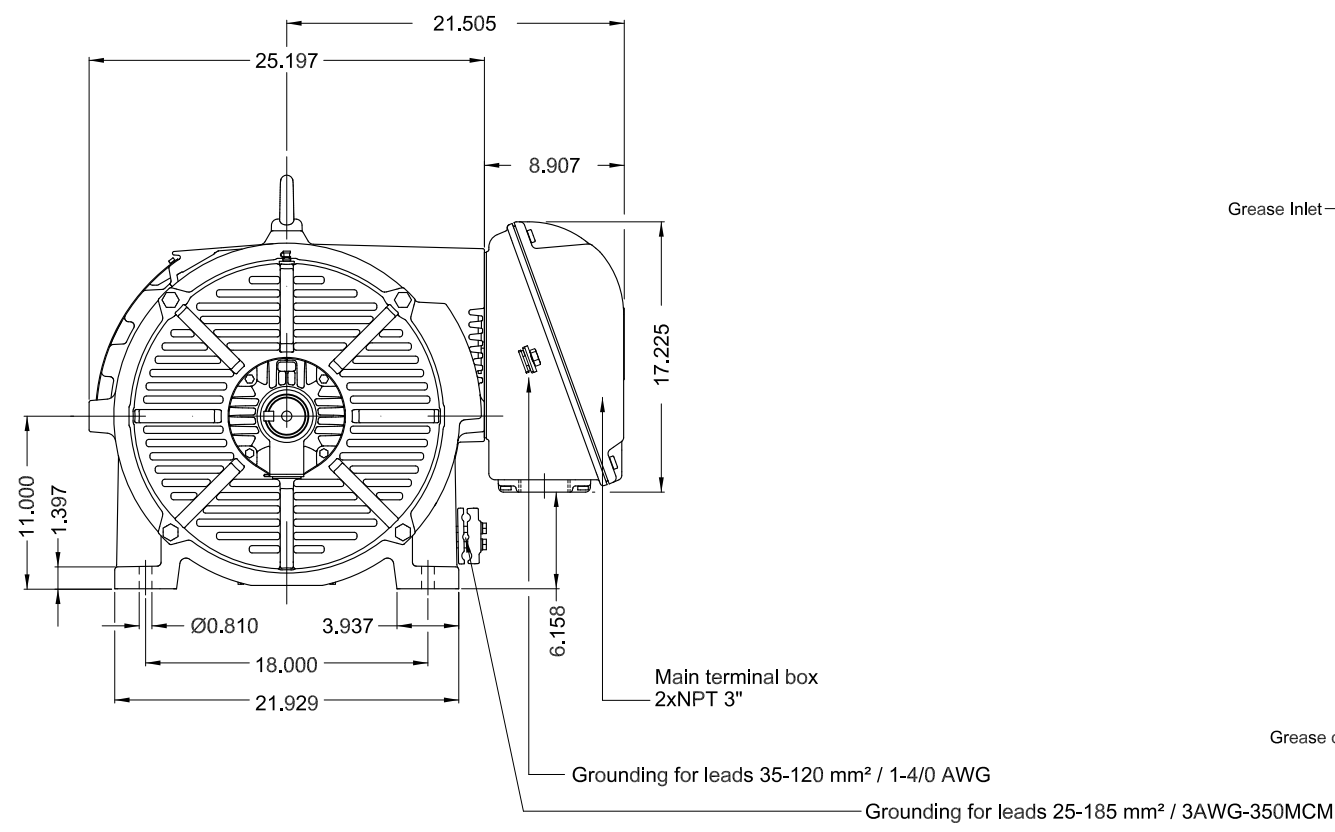


A

B

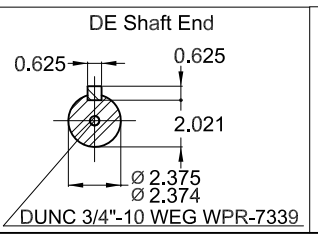
C



D

E

Color RAL 5009  
 Painting plan 203A  
 Mounting NEMA F-2  
 Mounting B3L(E)



400 HP 02 Poles 60 Hz A

						1:12	
				HYBRISUSER		00	
ECM	LOC	SUMMARY OF MODIFICATIONS		EXECUTED	CHECKED	RELEASED	DATE
EXECUTED	HYBRISUSER	THREE PH. MOTOR W40 NEMA PREM. EFF. FRAME 447/9TS IP23 ODP		PREVIEW			
CHECKED				WDD   00			
RELEASED				SHEET 1 / 1			
REL. DATE		WMO	Jaragua do Sul	Product Engineering			