

1 2 3 4 5 6

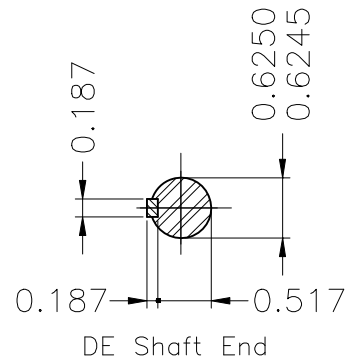
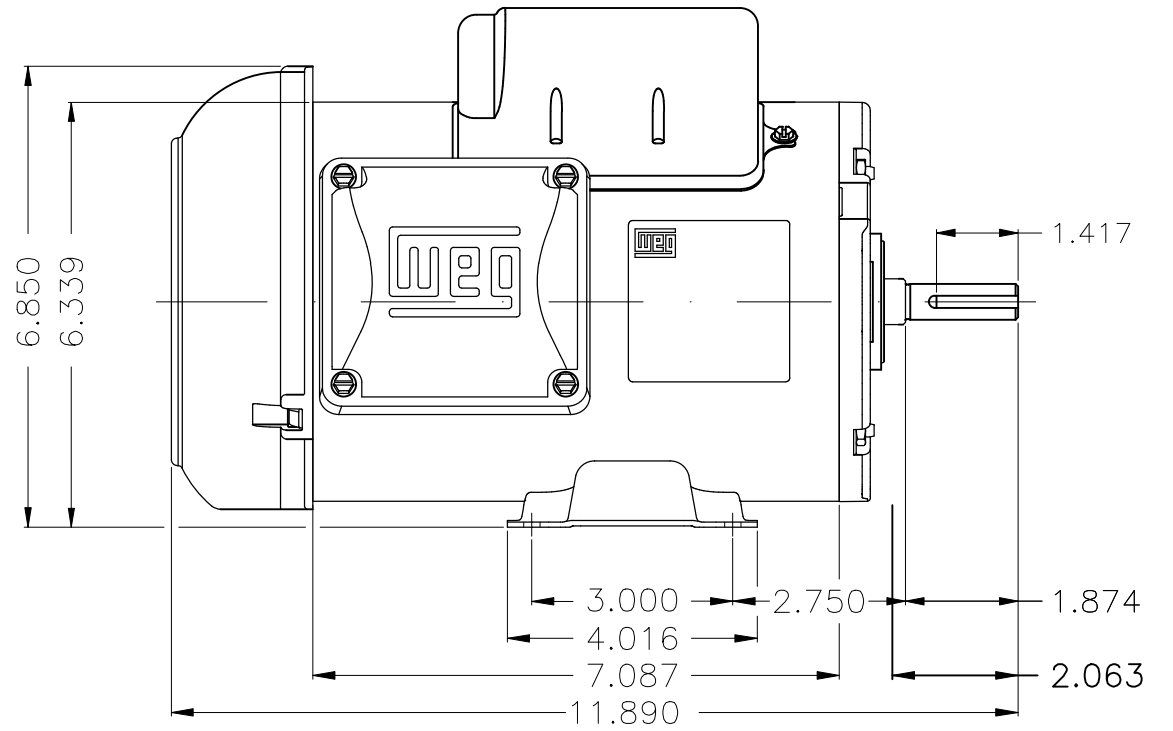
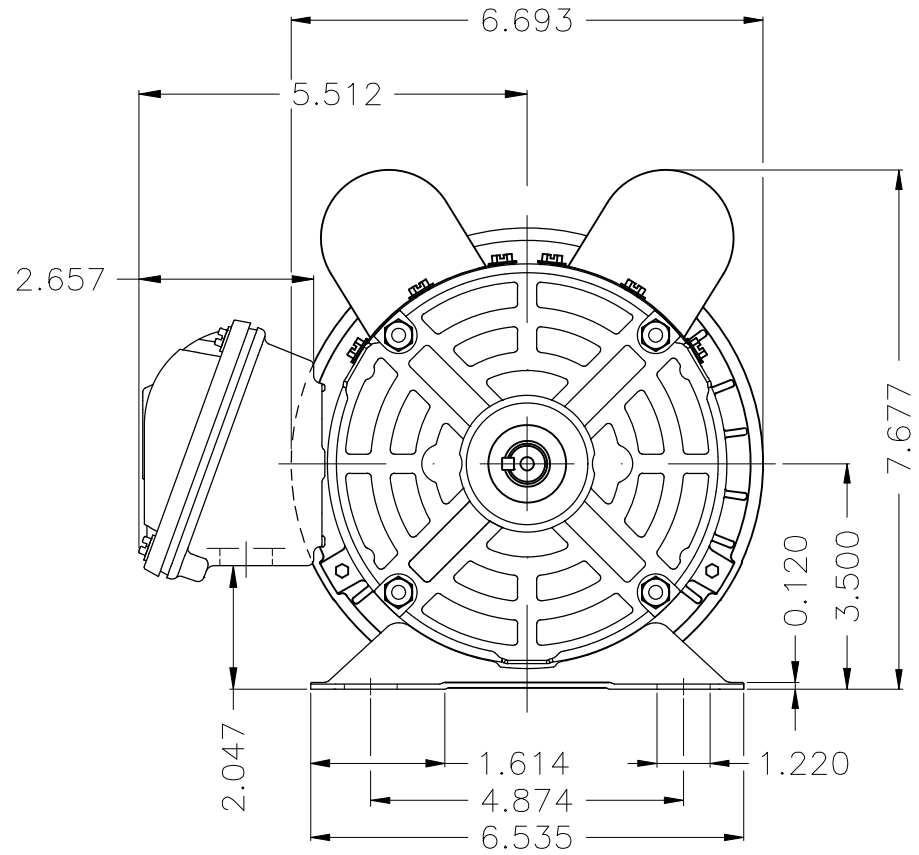
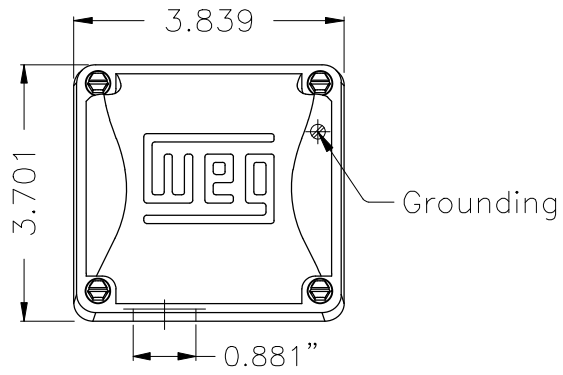
A

B

C

D

E



Color Munsell N 1 matte black					
Painting plan 207N					
Mounting F-1/B3R(D)					
				HYBRISUSER	00
ECM	LOC	SUMMARY OF MODIFICATIONS	EXECUTED	CHECKED	RELEASED
EXECUTED	HYBRISUSER	SINGLE PH. MOTOR ROLLED STEEL PREM. EFF. FRAME W56 IP55 TEFC			
CHECKED					
RELEASED					
REL. DATE	WMO	Jaragua do Sul	Product Engineering	PREVIEW WDD 00 SHEET 1 / 1	

0.33 HP 02 Poles 60 Hz

A



Dimensions in inches XME A3