

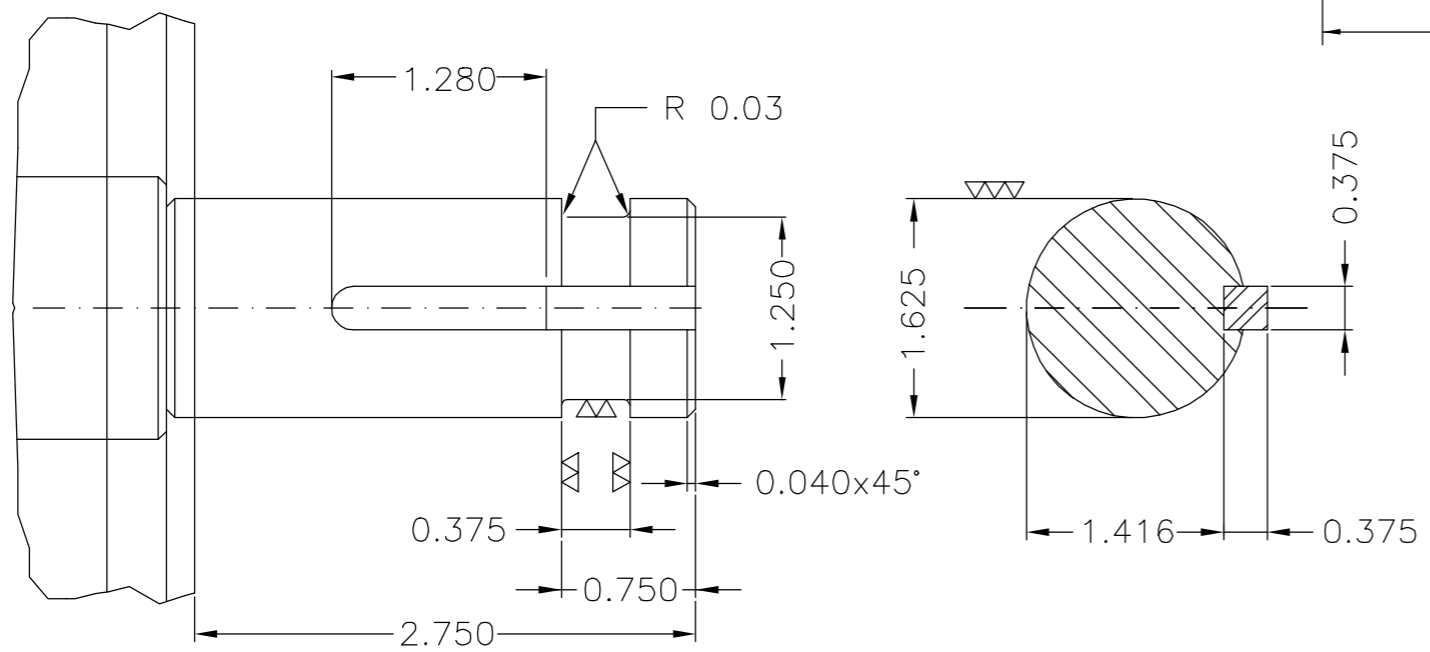
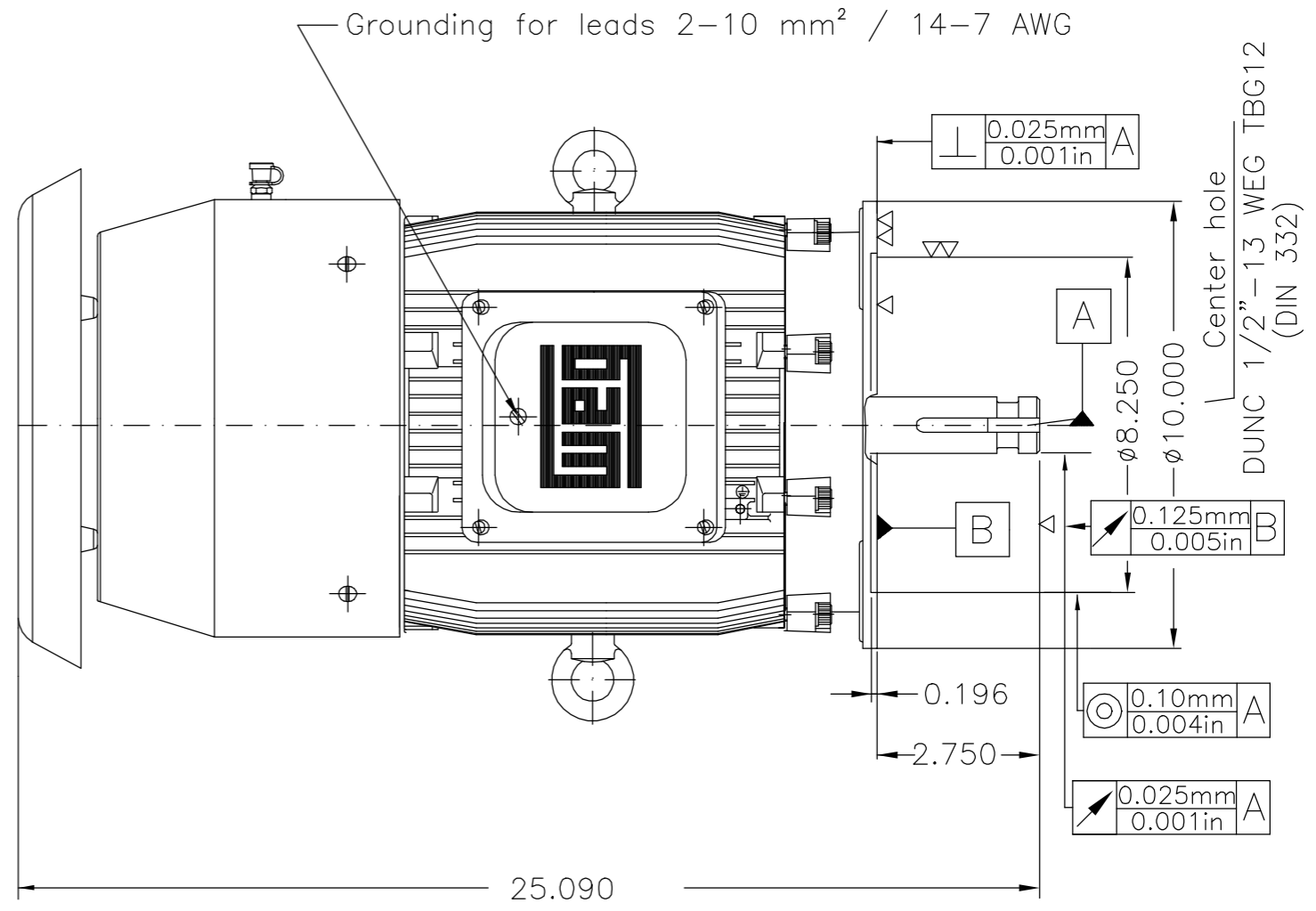
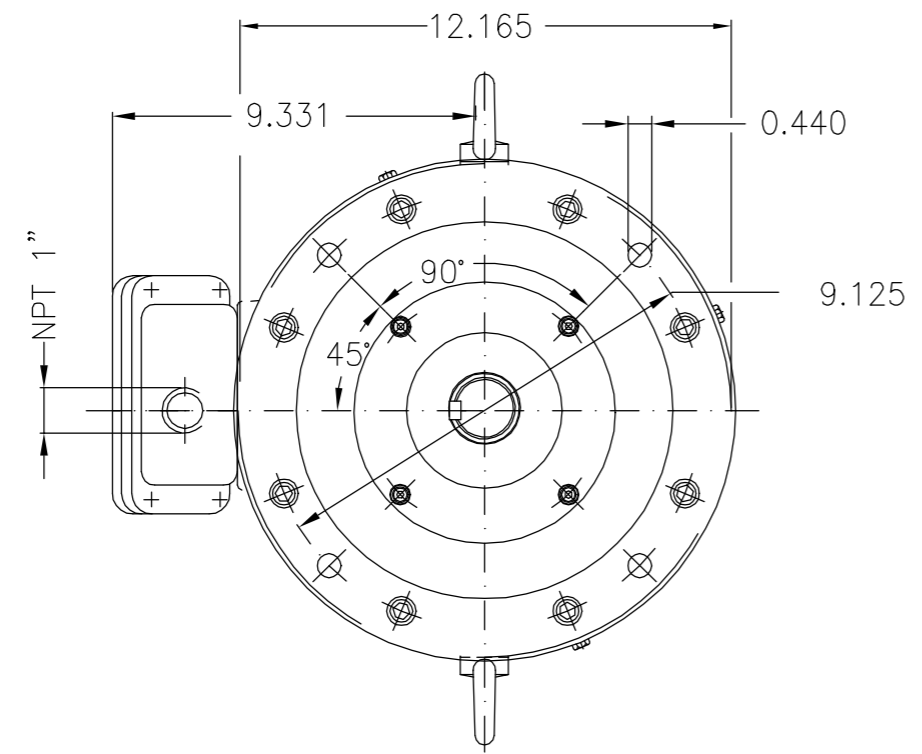
EIXO/SHAFT
 PADRÃO/STANDARD X
 OPCIONAL/OPTIONAL
 ESPECIAL/SPECIAL

Dimensões em polegada
 Dimensions in inches

CERTIFIED WEG MOTORES
 Certified document.
 Not subject to changes.

THIS IS AN UPDATED REVISION, THE PREVIOUS ONE MUST BE DISREGARDED.

ATENÇÃO/ATTENTION
 MOTOR DEVE SER LIGADO APENAS NA POSIÇÃO VERTICAL
 MOTOR MUST BE ENERGIZED ONLY IN THE VERTICAL POSITION



Placa de identificação com marcação especial / Nameplate with special marking
 Cor RAL 5009 / Color RAL 5009
 Plano de pintura 207A / Painting plan 207A
 Forma construtiva NEMA W-6 / Mounting NEMA W-6
 Forma construtiva V1 / Mounting V1
V.J. PAMENSKY CANADA INC.

500002148791	ALT CONFORME 418229042	CLAUDEMIRR	JACKSONDC	JACKSONDC	14.06.2022	04			
500001781587	417359503	FRANCINES	RICLAV	RICLAV	24.06.2020	03			
ECM	LOC	SUMMARY OF MODIFICATIONS			EXECUTED	CHECKED	RELEASED	DATE	VER
EXECUTED	DANIELAW	THREE-PHASE IN LINE EXTRA THRUST MOTOR		10006137324					
CHECKED	RPAULI	FRAME 215LP IP55 TEFC		000 04					
RELEASED	RPAULI								
REL DT	23.10.2018	WMO	Jaragua do Sul	Product Engineering	SHEET 1 / 1				

10 HP 02 Poles 60Hz
 7.5 HP 02 Poles 60Hz 415234508/0

UNCONTROLLED COPY

RELEASED

ZME A3