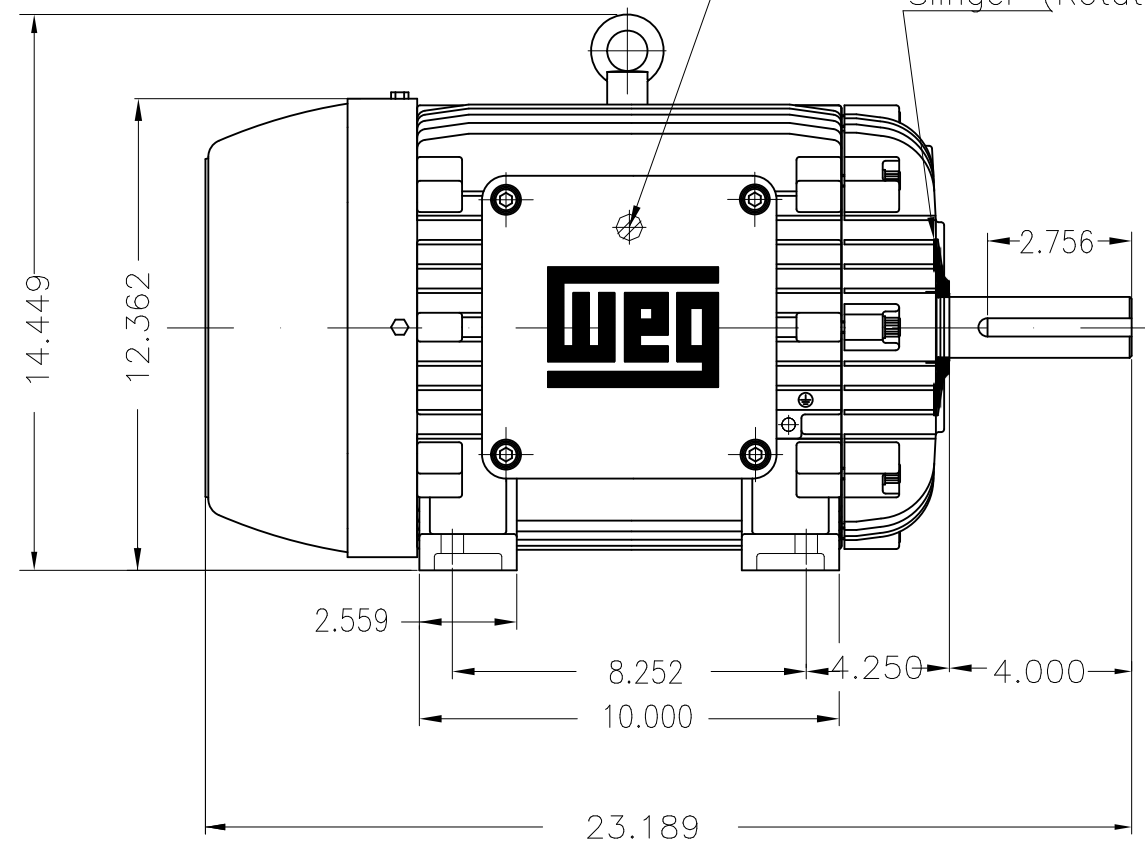
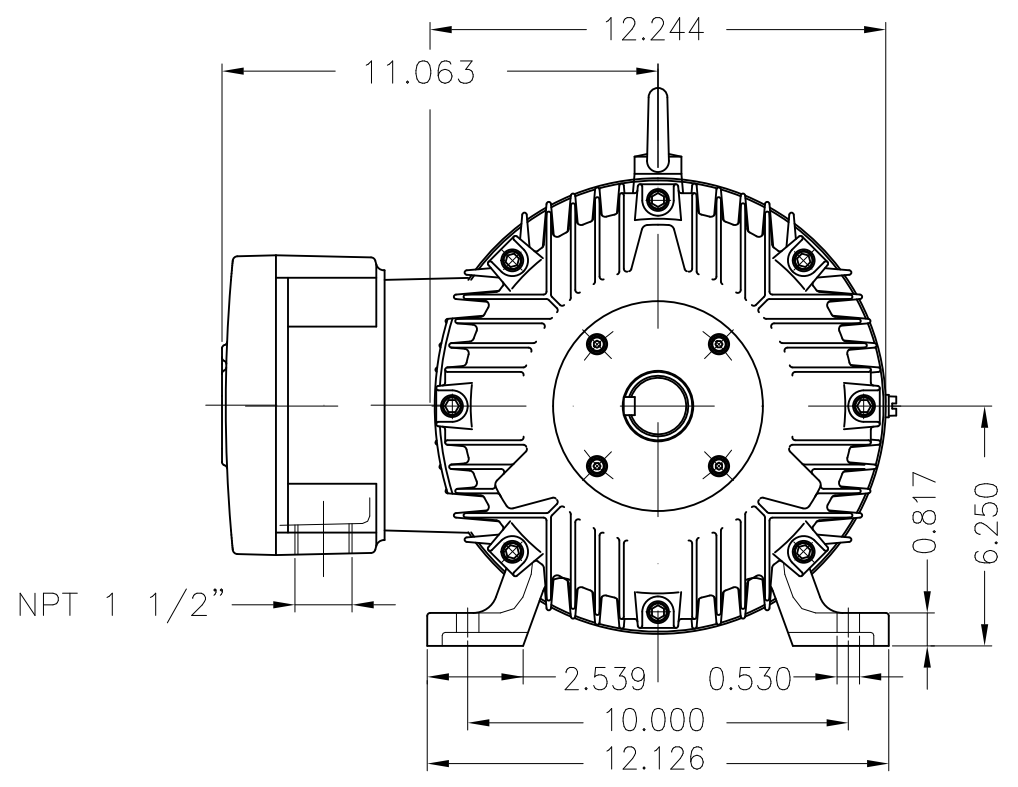


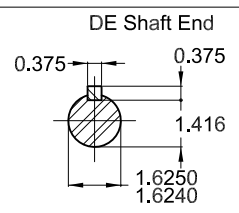
Grounding for leads 5.2–25 mm² / 10–4 AWG

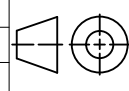
Slinger (Rotating Seal)



5 HP 08 Poles 60 Hz A

- Without Grease fitting
- Color RAL 5009
- Painting plan 222P
- Mounting NEMA F-1
- Mounting B3R(D)



ECM	LOC		THREE PH. MOTOR EXPLOSION PROOF NEMA PREM. EFF.	HYBRISUSER						00
EXECUTED	HYBRISUSER		FRAME 254T IP55 TEFC	EXECUTED	CHECKED	RELEASED	DATE	VER		
CHECKED										
RELEASED										
REL. DATE		WMO	Jaragua do Sul	Product Engineering						

PREVIEW
WDD 00
SHEET 1 / 1

