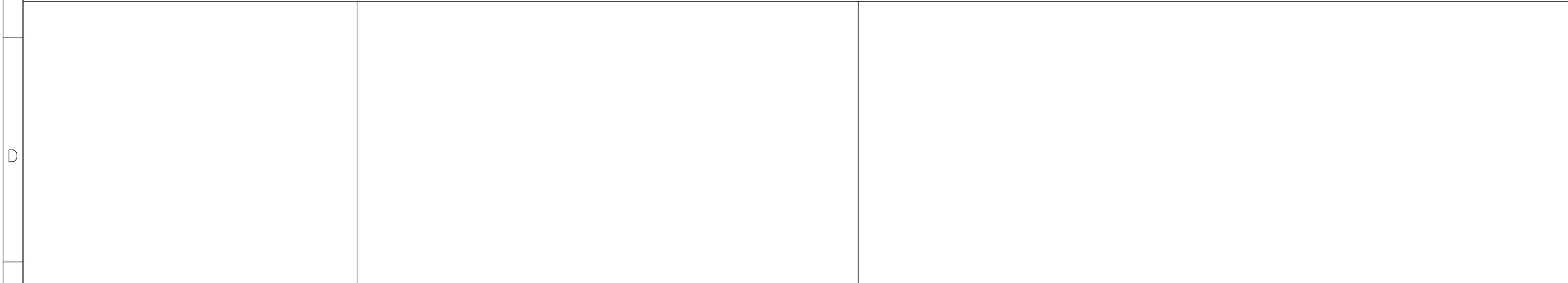
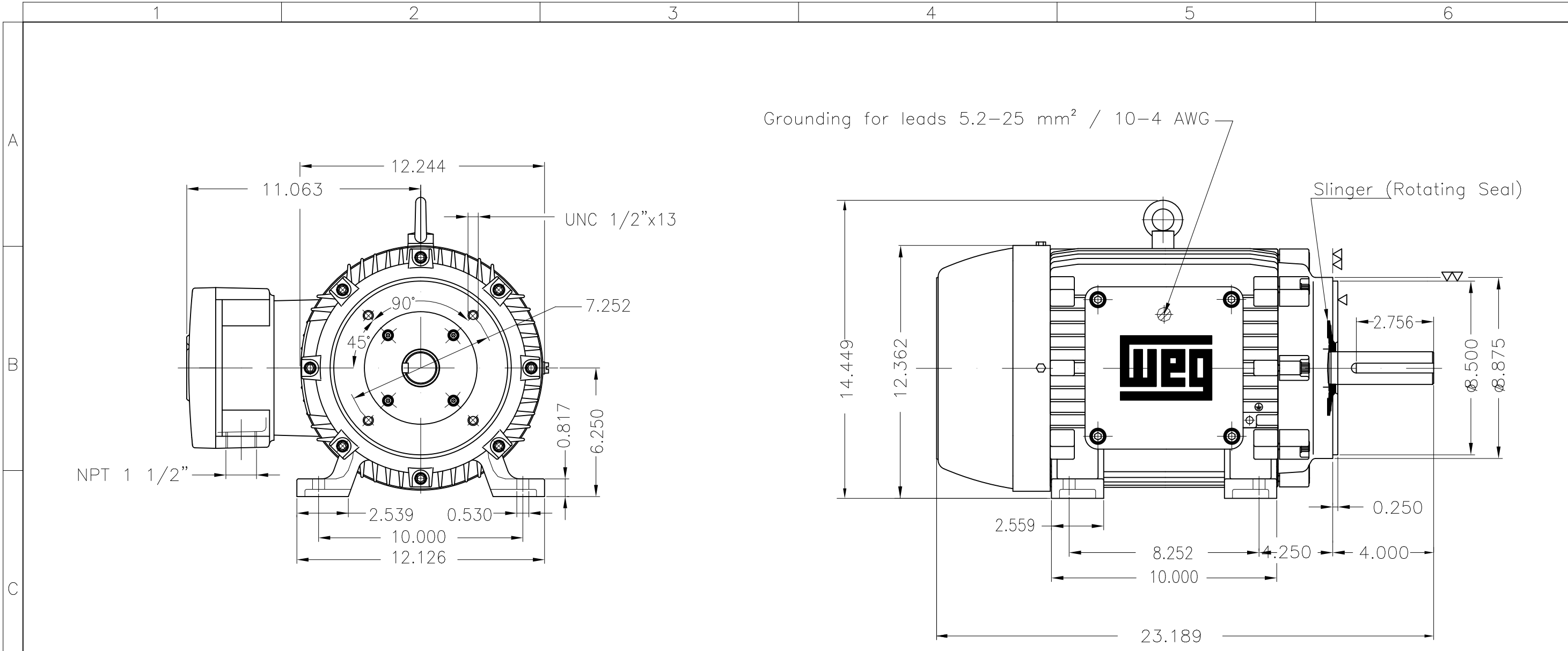
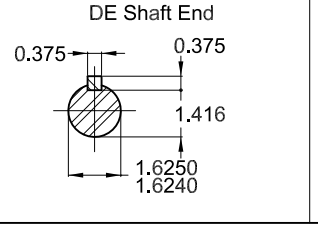


Grounding for leads 5.2–25 mm² / 10–4 AWG



7.5 HP 06 Poles 60 Hz					A

Color RAL 5009
Painting plan 222P
Mounting NEMA F-1
Mounting B34R(D)



ECM	LOC	SUMMARY OF MODIFICATIONS			
EXECUTED	HYBRISUSER	EXECUTED	CHECKED	RELEASED	DATE
CHECKED					
RELEASED					
REL. DATE					

HYBRISUSER						00
THREE PH. MOTOR EXPLOSION PROOF NEMA PREM. EFF.	FRAME 254TC IP55 TEFC	PREVIEW				
WMO	Jaragua do Sul	Product Engineering	WDD	00	SHEET 1 / 1	

