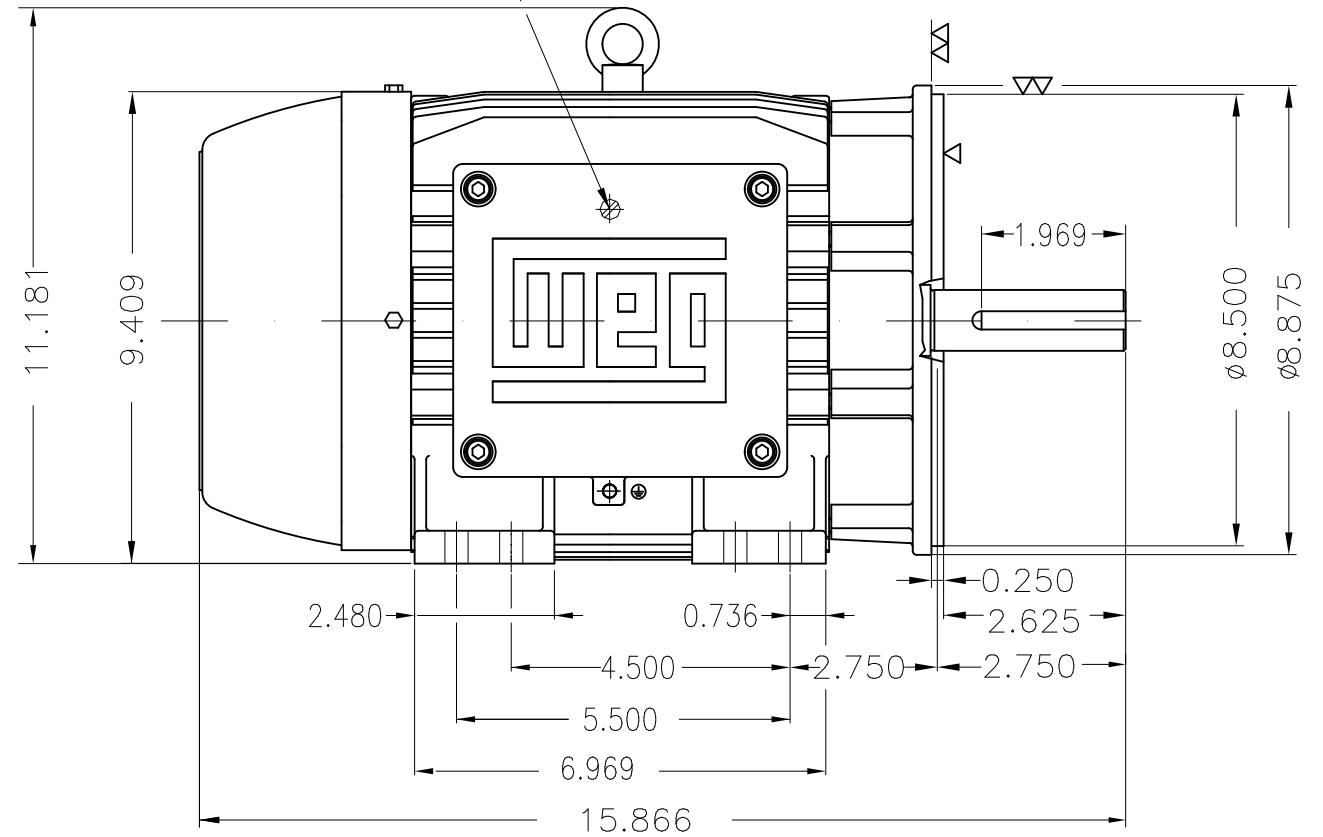
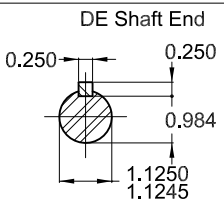


Grounding for leads 2-10 mm<sup>2</sup> / 14-7 AWG



- Packing - crate
- Color RAL 5009
- Painting plan 202P
- Mounting NEMA F-1
- Mounting B34R(D)



5 HP 04 Poles 60 Hz A

|           |            |     |   |                     |            |         |          |      |     |    |
|-----------|------------|-----|---|---------------------|------------|---------|----------|------|-----|----|
| ECM       |            | LOC | SUMMARY OF MODIFICATIONS                        |                     | HYBRISUSER |         |          |      |     | 00 |
| EXECUTED  | HYBRISUSER |     | THREE PH. MOTOR EXPLOSION PROOF NEMA PREM. EFF. |                     | EXECUTED   | CHECKED | RELEASED | DATE | VER |    |
| CHECKED   |            |     | FRAME 182/4TC IP55 TEFC                         |                     |            |         |          |      |     |    |
| RELEASED  |            |     |   |                     |            |         |          |      |     |    |
| REL. DATE |            | WMO | Jaragua do Sul                                  | Product Engineering |            |         |          |      |     |    |

PREVIEW

WDD 00

SHEET 1 / 1

