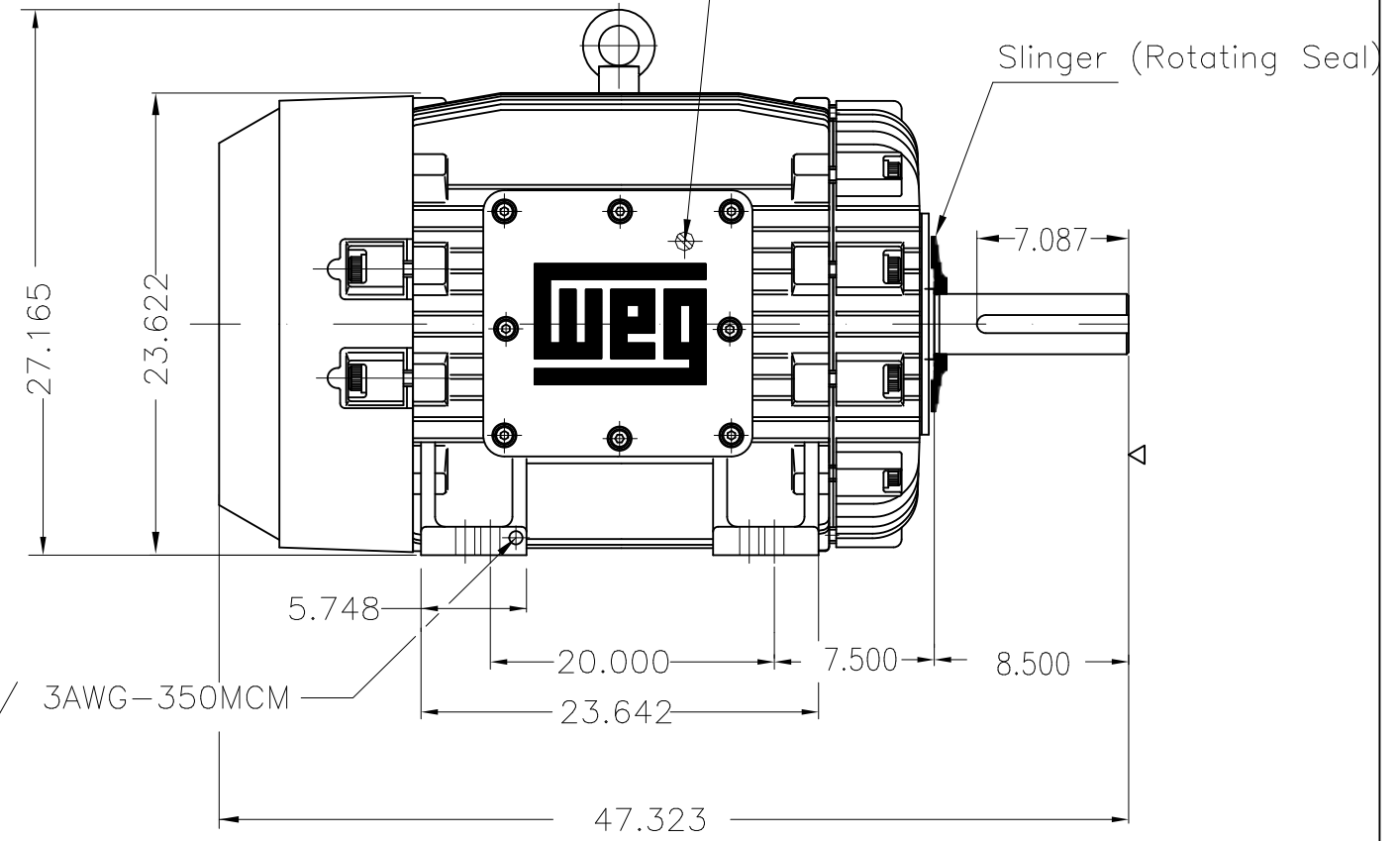
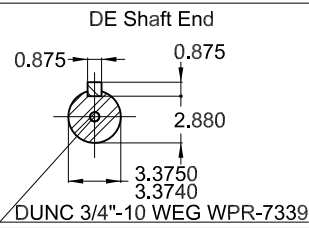


Grounding for leads 35–70 mm<sup>2</sup> / 1–2/0 AWG



Grounding for leads 25–185 mm<sup>2</sup> / 3AWG–350MCM

Color RAL 5009  
 Painting plan 222P  
 Mounting NEMA F-1  
 Mounting B3R(D)



150 HP 08 Poles 60 Hz

ECM		LOC	SUMMARY OF MODIFICATIONS		HYBRISUSER					00
EXECUTED	HYBRISUSER		THREE PH. MOTOR EXPLOSION PROOF	NEMA PREM. EFF.	EXECUTED	CHECKED	RELEASED	DATE	VER	
CHECKED			FRAME 447T IP55 TEFC							
RELEASED										
REL. DATE		WMO	Jaragua do Sul	Product Engineering						

PREVIEW

WDD 00

SHEET 1 / 1

