

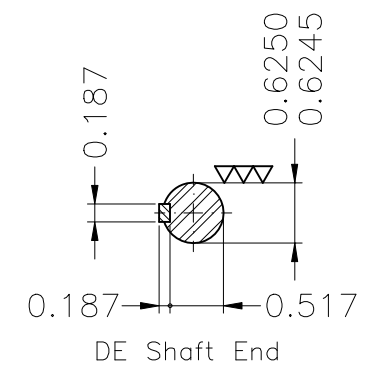
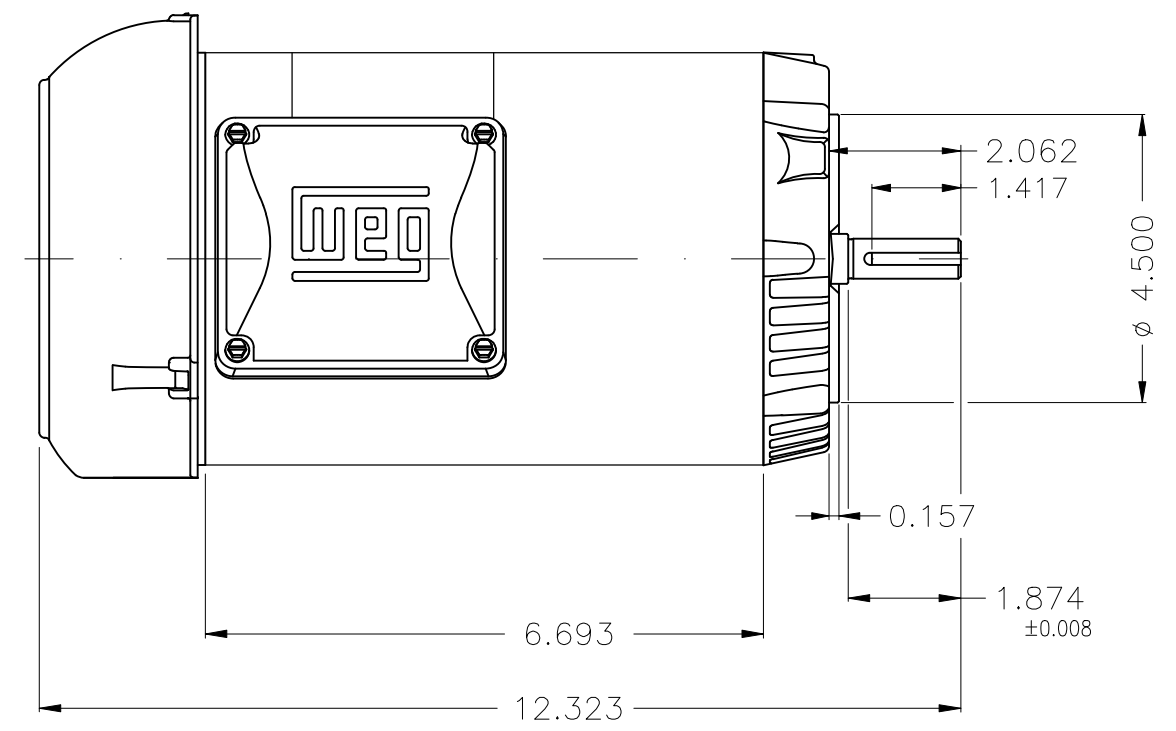
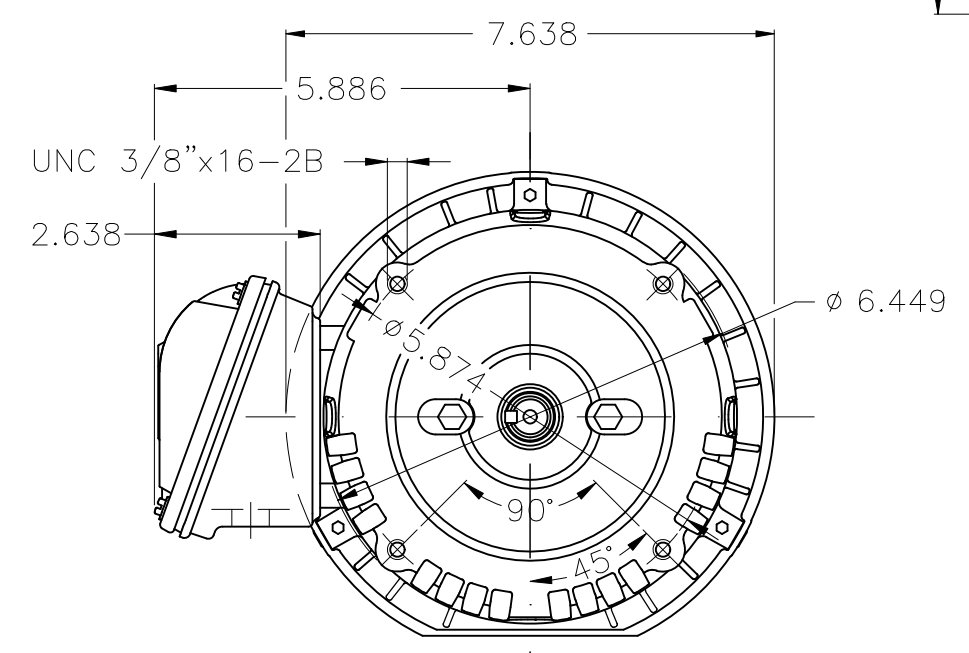
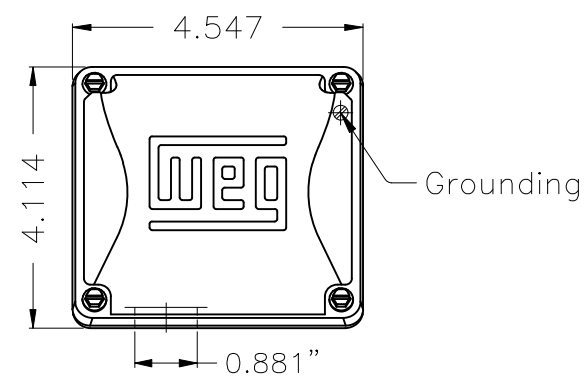
A

B

C

D

E



| | | | | | | |
|-------------------------------|------------|---|----------------|---------------------|-------------|----------|
| Color Munsell N 1 matte black | | | | | | |
| Painting plan 207N | | | | | | |
| Mounting F-1/B14R(D) | | | | | | |
| | | | | | | |
| | | | | | HYBRISUSER | 00 |
| ECM | LOC | SUMMARY OF MODIFICATIONS | | EXECUTED | CHECKED | RELEASED |
| EXECUTED | HYBRISUSER | THREE PH. MOTOR ROLLED STEEL PREM. EFF. | | | | |
| CHECKED | | FRAME 56C IP55 TEFC | | | | |
| RELEASED | | | | | | |
| REL. DATE | | WMO | Jaragua do Sul | Product Engineering | SHEET 1 / 1 | |

0.75 HP 04 Poles 60 Hz

A

PREVIEW
WDD 00

