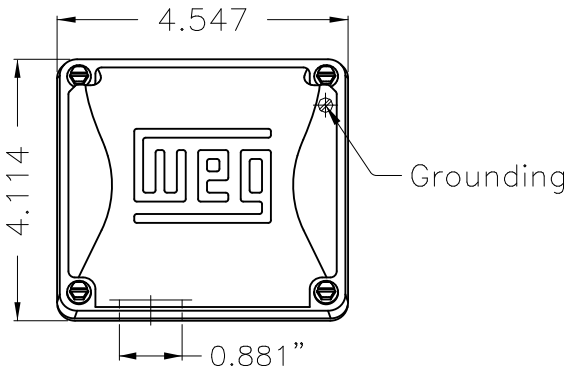
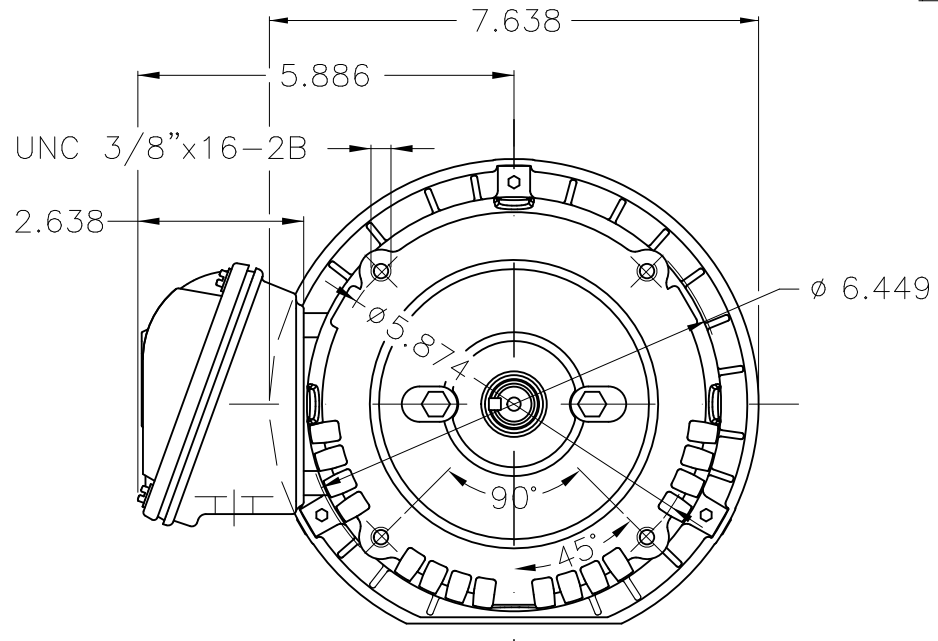


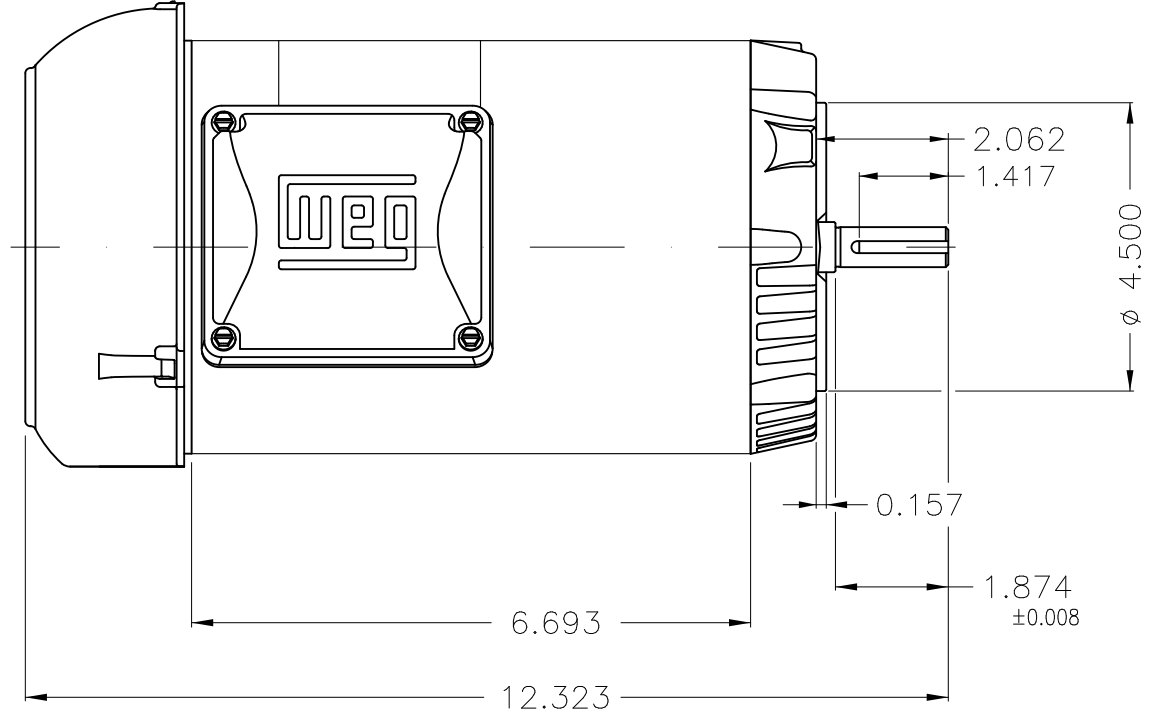
A



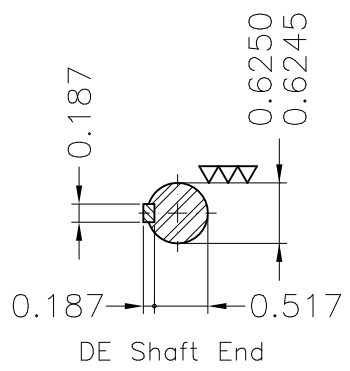
B



C



D



E

Color Munsell N 1 matte black						
Painting plan 207N						
Mounting F-1/B14R(D)						
				HYBRISUSER		00
ECM	LOC	SUMMARY OF MODIFICATIONS		EXECUTED	CHECKED	RELEASED
EXECUTED	HYBRISUSER	THREE PH. MOTOR ROLLED STEEL PREM. EFF.			PREVIEW	
CHECKED		FRAME 56C IP55 TEFC			WDD	00
RELEASED					SHEET	1 / 1
REL. DATE		WMO	Jaragua do Sul	Product Engineering		

0.75 HP 04 Poles 60 Hz