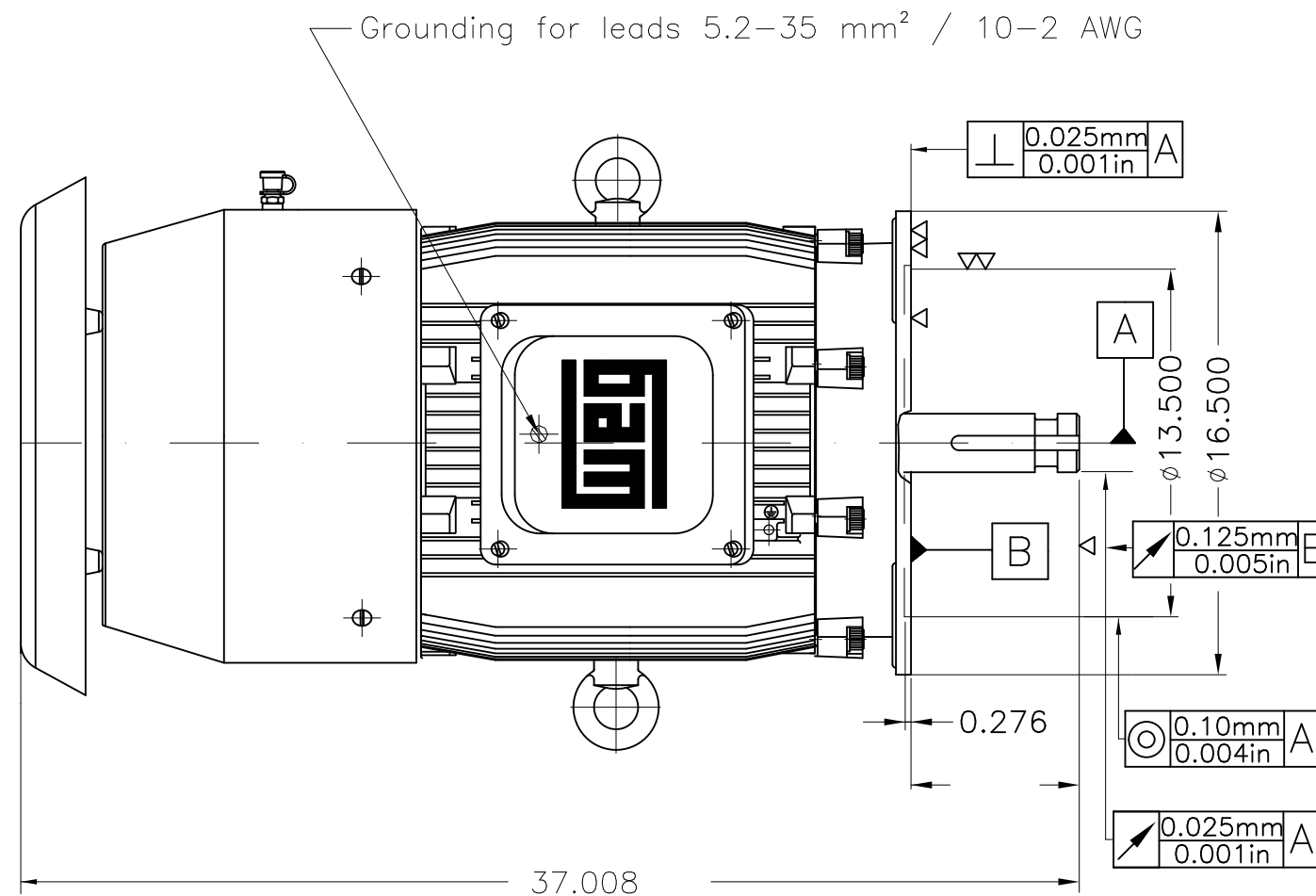
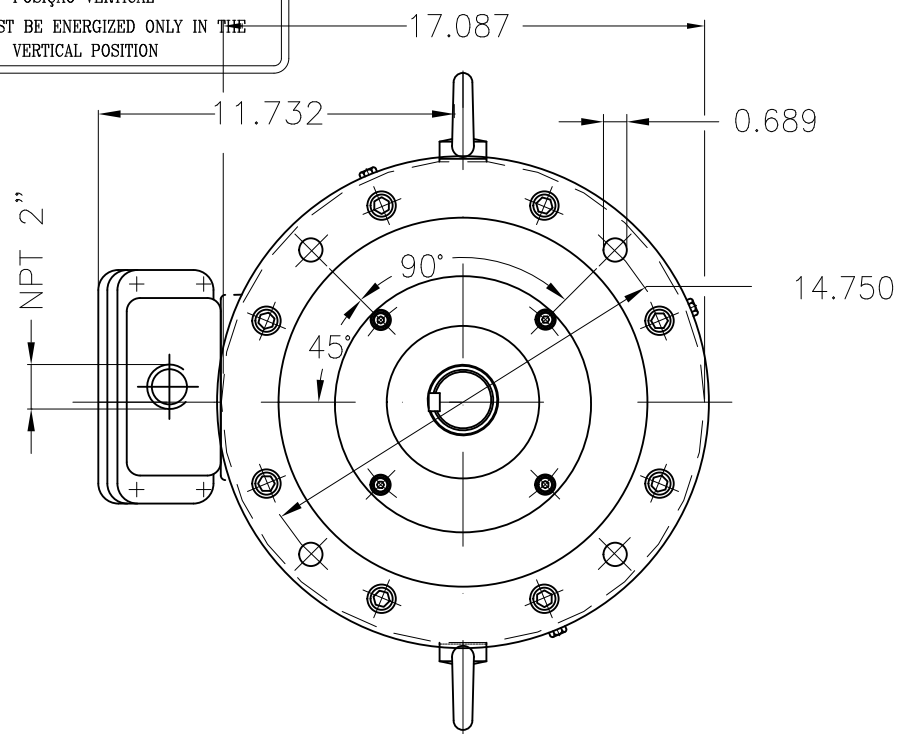


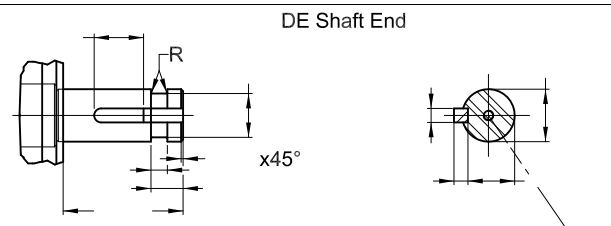
ATENÇÃO/ATTENTION

MOTOR DEVE SER LIGADO APENAS NA POSIÇÃO VERTICAL
MOTOR MUST BE ENERGIZED ONLY IN THE VERTICAL POSITION



Grounding for leads 5.2–35 mm² / 10–2 AWG

- Sealing - oil seal ring
- Rubber drain plug
- Without switch off thermal protection
- B key
- Grease - Mobil Polyrex EM
- Plastic flat plug
- Class F insulation - 80K temperature rise
- Without Space Heaters
- Shaft material - SAE/ABNT 1040/45
- Dipping impregnation - polyester
- Without terminal block
- NDE sealing - lip seal
- Aluminum fan
- Bearing cap
- Reduced balancing with half key
- Without epoxi in the cables outlet
- Certification CSA/UL
- Packing - crate
- Without thermal protection on bearings
- With grease fitting
- C3 DE bearing
- Color RAL 5009
- Painting plan 203A
- Mounting NEMA W-6
- Mounting V1



25 HP 08 Poles 60 Hz A

						HYBRISUSER				00	
ECM	LOC	SUMMARY OF MODIFICATIONS				EXECUTED	CHECKED	RELEASED	DATE	VER	
EXECUTED	HYBRISUSER	THREE PH. MOTOR IN LINE EXTRA THRUST NEMA PREM. EFF. FRAME 326LP IP55 TEFC				PREVIEW WDD 00				SHEET 1 / 1	
CHECKED											
RELEASED											
REL. DATE		WMO	Jaragua do Sul	Product Engineering							

Dimensions in inches XME A3