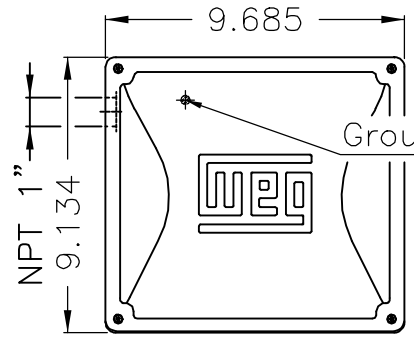


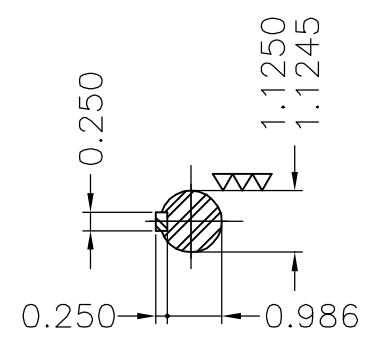
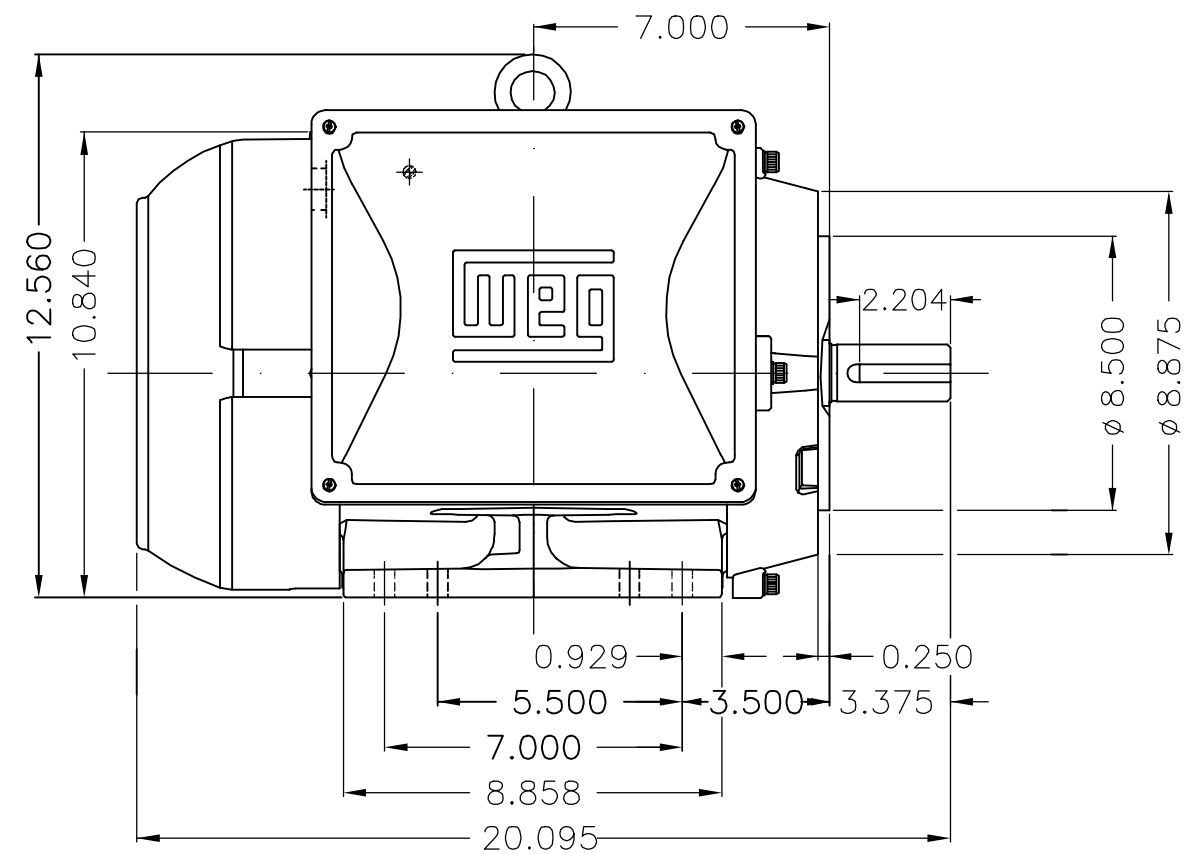
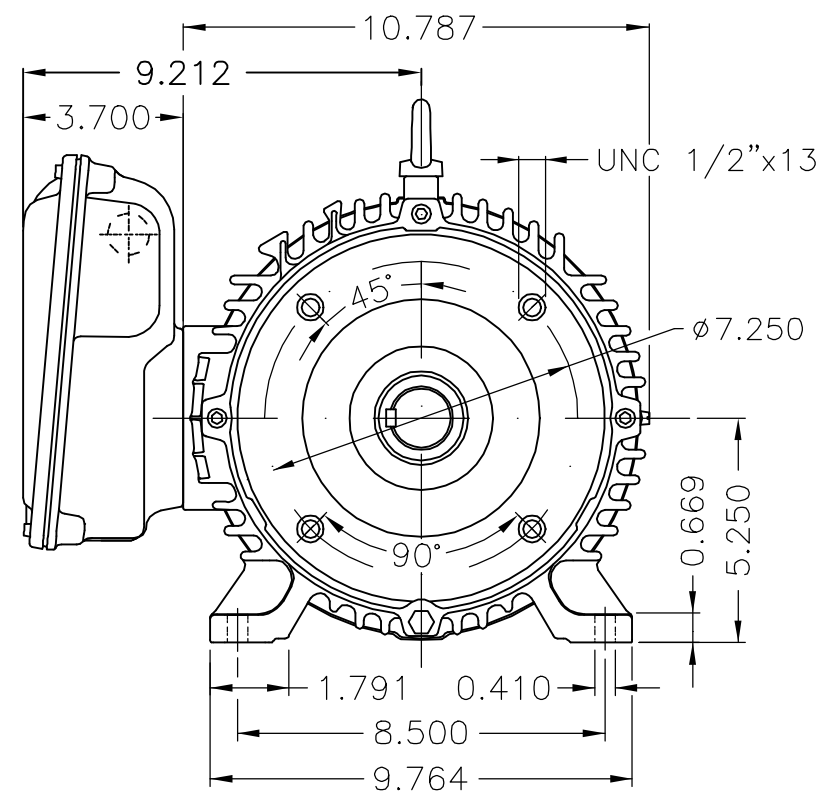
EIXO/SHAFT	
PADRÃO/STANDARD	
OPCIONAL/OPTIONAL	
ESPECIAL/SPECIAL	X

Dimensões em polegadas  
Dimensions in inches

THIS IS AN UPDATED REVISION, THE PREVIOUS ONE MUST BE DISREGARDED.



Main terminal box



De Shaft End

Forma construtiva B34D / Mounting B34R(D)						
<b>WEG EQUIPAMENTOS ELETRICOS S/A</b>						
500001329649		DOCUMENTO NOVO	JOHNLENONN	RUBENFSM	10.07.2017	00
ECM	LOC	RESUMO MODIFICAÇÃO	EXECUTADO	VERIFICADO	LIBERADO	DATA
ECM	LOC	SUMMARY OF MODIFICATIONS	EXECUTED	CHECKED	RELEASED	DATE
EXEC. /EXECUTED	JOHNLENONN		SINGLE PHASE MOTOR W22 NEMA		10005036256	
VERIF. /CHECKED			FRAME 213/5TC IP55 TEFC		000   00	
LIBER. /RELEASED	RUBENFSM					
DATA LB /REL DT	10.07.2017	WMO	Jaraguá do Sul	Product Engineering	FOLHA/SHEET	1 / 1

7.5 HP 04 Poles 60Hz 414708848

UNCONTROLLED COPY RELEASED ZME A3