

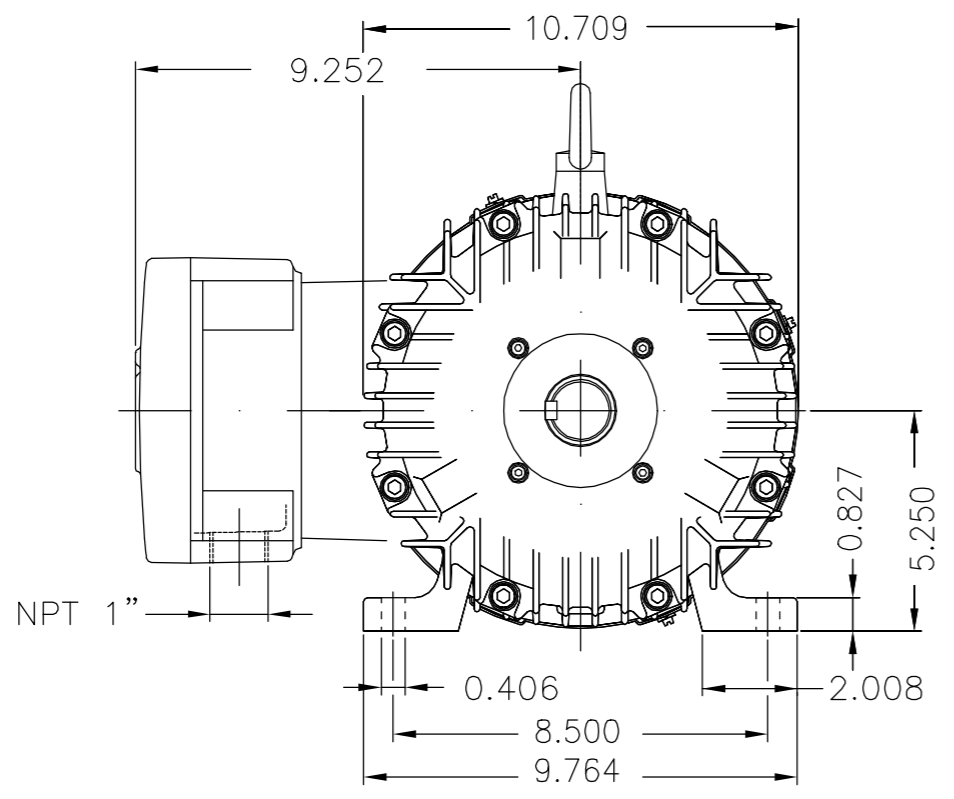
EIXO/SHAFT	
PADRÃO/STANDARD	X
OPCIONAL/OPTIONAL	
ESPECIAL/SPECIAL	

Dimensões em polegada
Dimensions in inches

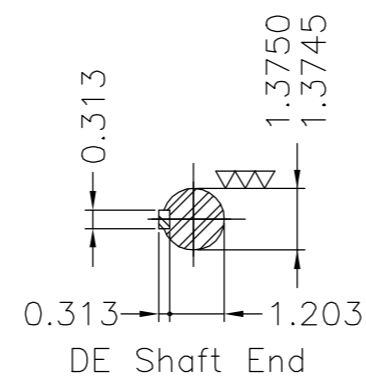
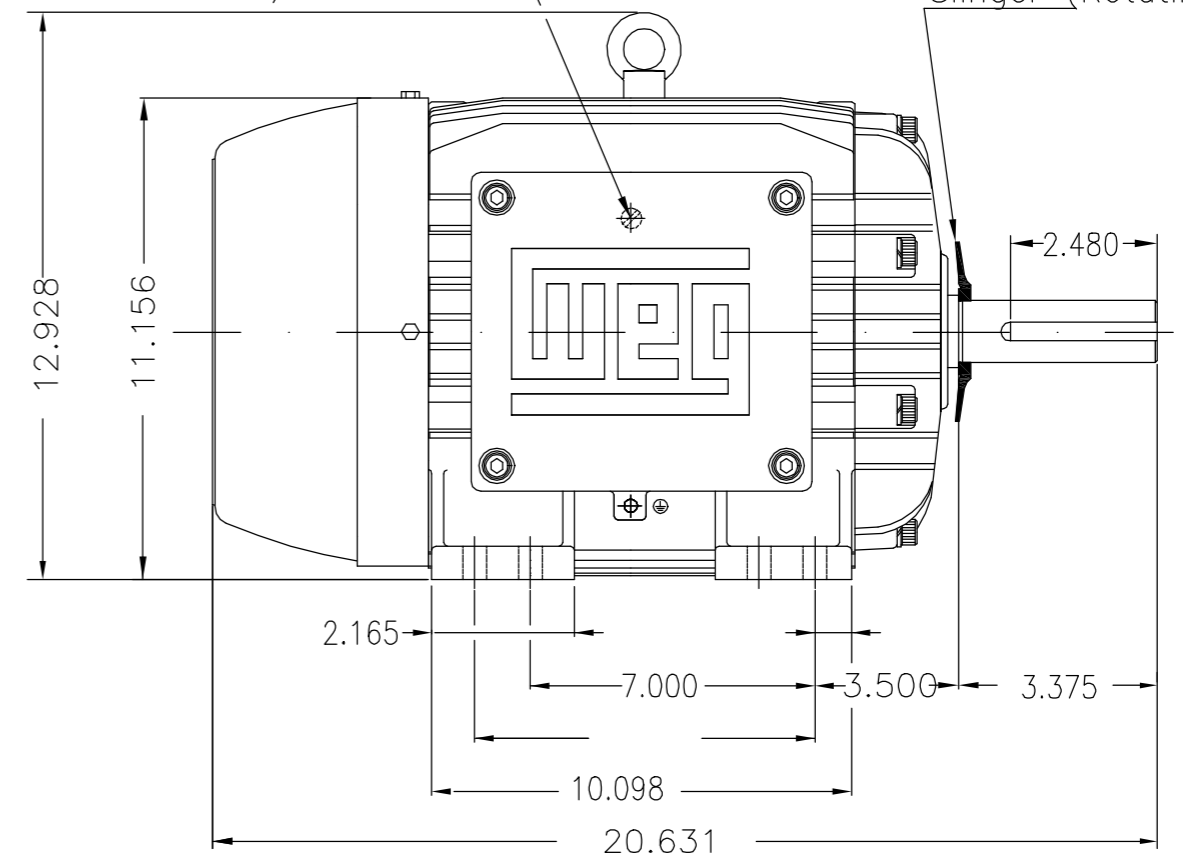
CERTIFIED WEG MOTORES
Certified document.
Not subject to changes.

THIS IS AN UPDATED REVISION, THE PREVIOUS ONE MUST BE DISREGARDED.

A
B
C
D
E



Grounding for leads 2-10 mm² / 14-7 AWG Slinger (Rotating Seal)



Cor RAL 5009 / Color RAL 5009
Plano de pintura 205P / Painting plan 205P
Forma construtiva NEMA F-1 / Mounting NEMA F-1
Forma construtiva B3D / Mounting B3R(D)
V.J. PAMENSKY CANADA INC.

OV: 4803520

EXECUTED	RLOPES		THREE-PHASE EXPLOSION PROOF MOTOR FRAME L215T IP55 TEFC
CHECKED	PIRWUSER		
RELEASED	PIRWUSER		

500001594952	ALTERADO CONF. CLAIM 415204042	RICLAV	DALTONR	DALTONR	27.05.2019	01
500001432072	DOCUMENTO NOVO	RLOPES	PIRWUSER	PIRWUSER	22.03.2018	00
ECM	LOC	SUMMARY OF MODIFICATIONS	EXECUTED	CHECKED	RELEASED	DATE VER
REL DT	22.03.2018	WMO Jaragua do Sul	Product Engineering	10005624178 000 01		

10 HP 04 Poles 60Hz

A

UNCONTROLLED COPY RELEASED ZME A3