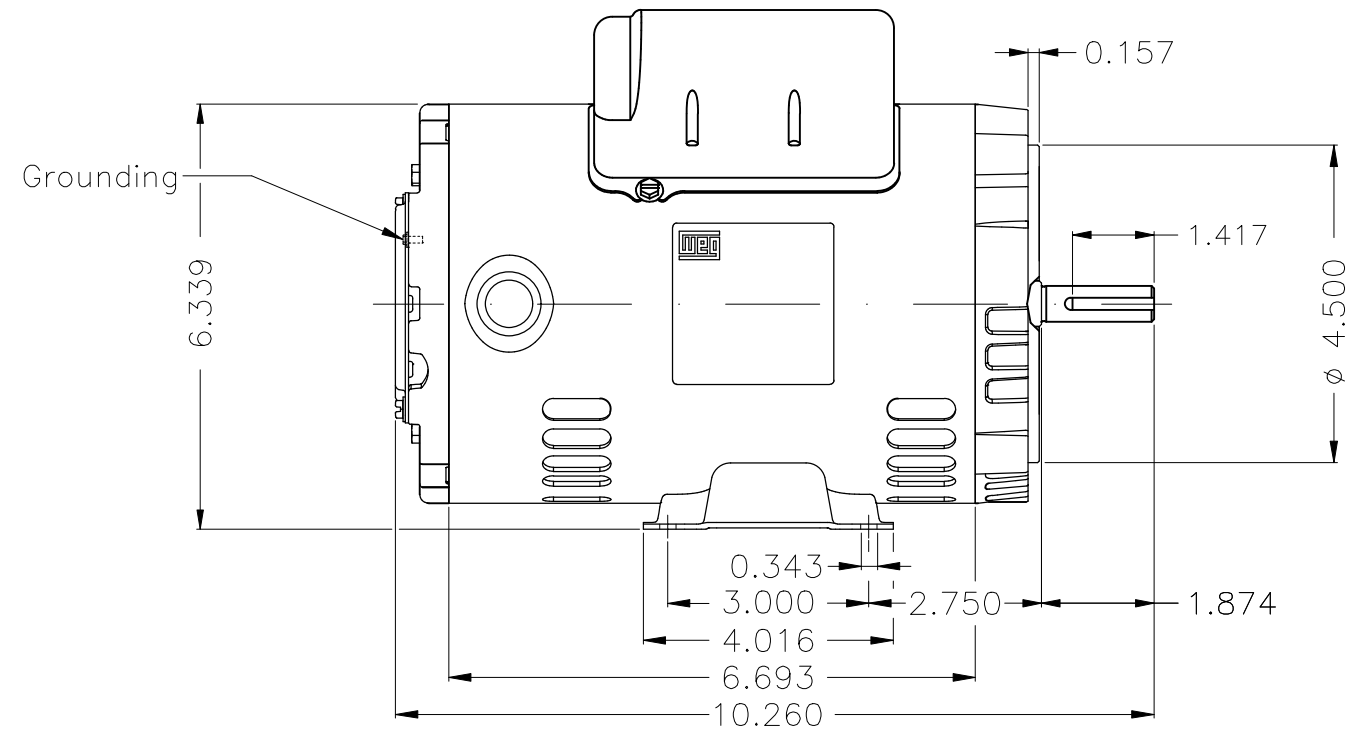
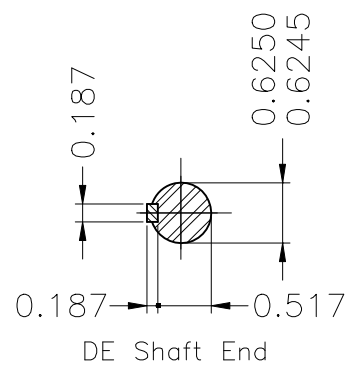
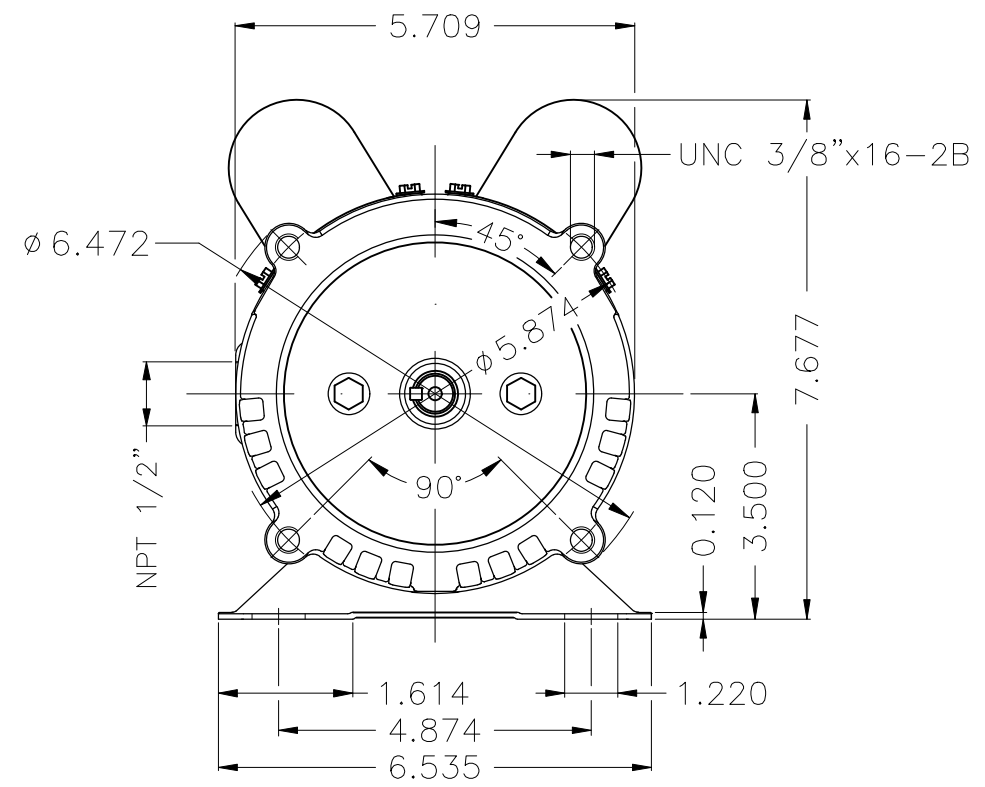


1 2 3 4 5 6

A  
B  
C  
D  
E



Color Munsell N 1 matte black  
 Painting plan 207N  
 Mounting B34D

ECM	LOC	SUMMARY OF MODIFICATIONS	EXECUTED	CHECKED	RELEASED	DATE	VER
EXECUTED	HYBRISUSER	SINGLE PH. MOTOR ROLLED STEEL PREM. EFF.					00
CHECKED		FRAME W56C IP21 ODP					
RELEASED							
REL. DATE	WMO	Jaragua do Sul	Product Engineering	SHEET	1 / 1		

0.5 HP 02 Poles 60 Hz

A

PREVIEW  
 WDD 00

Dimensions in inches XME A3