

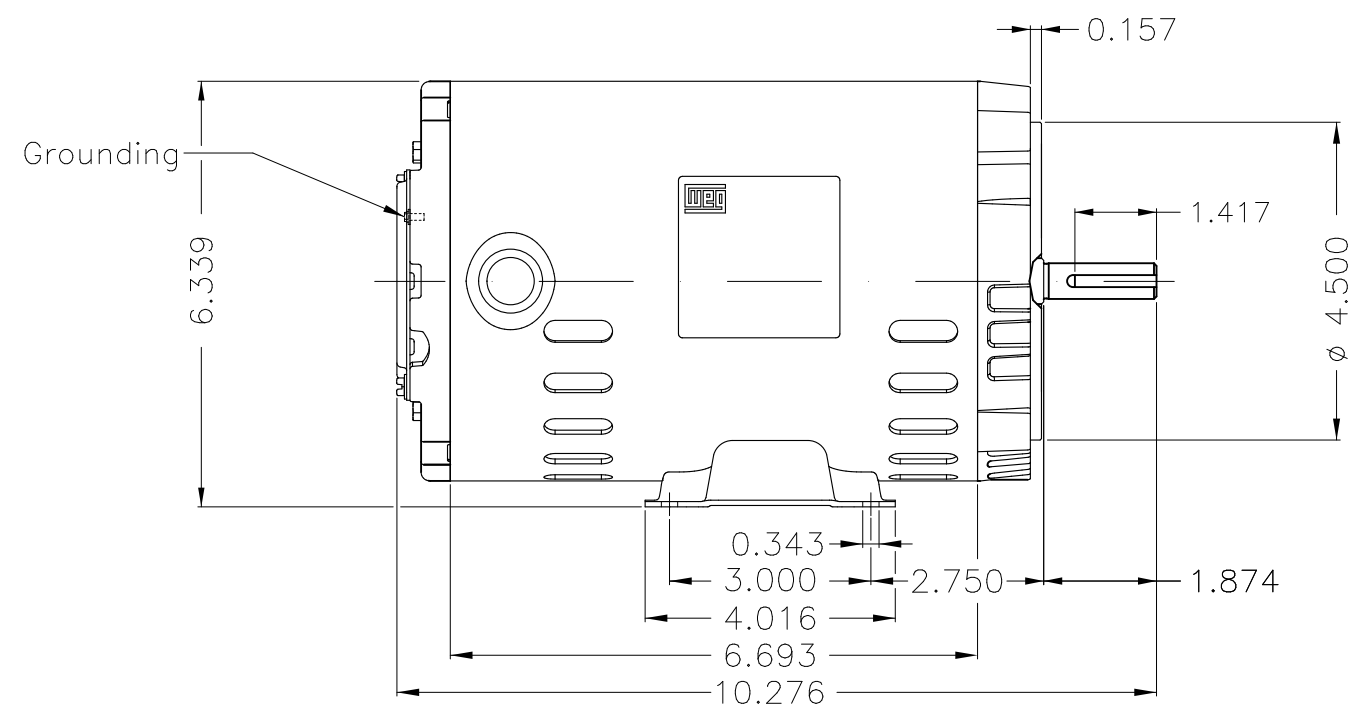
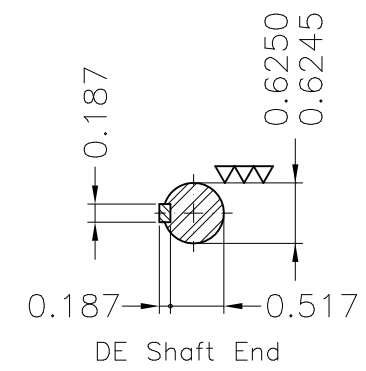
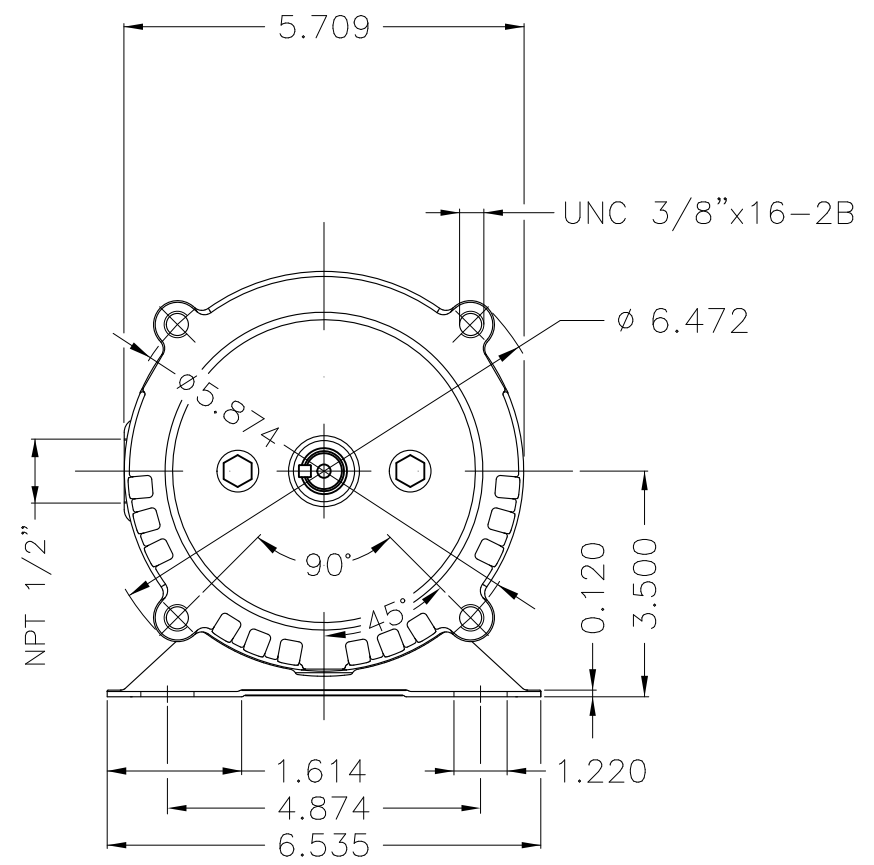
A

B

C

D

E



Without coating										
Mounting F-1/B34R(D)										
							HYBRISUSER		00	
ECM		LOC		SUMMARY OF MODIFICATIONS			EXECUTED	CHECKED	RELEASED	DATE
EXECUTED		HYBRISUSER		THREE PH. MOTOR ROLLED STEEL PREM. EFF.			EXECUTED	CHECKED	RELEASED	DATE
CHECKED				FRAME W56C IP21 ODP			EXECUTED	CHECKED	RELEASED	DATE
RELEASED							EXECUTED	CHECKED	RELEASED	DATE
REL. DATE				WMO Jaragua do Sul			Product Engineering	SHEET	1 / 1	

0.33 HP 04 Poles 60 Hz

A

PREVIEW
WDD 00



Dimensions in inches XME A3