

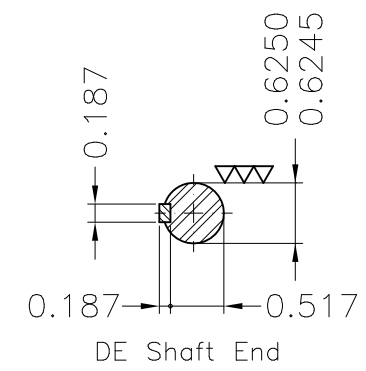
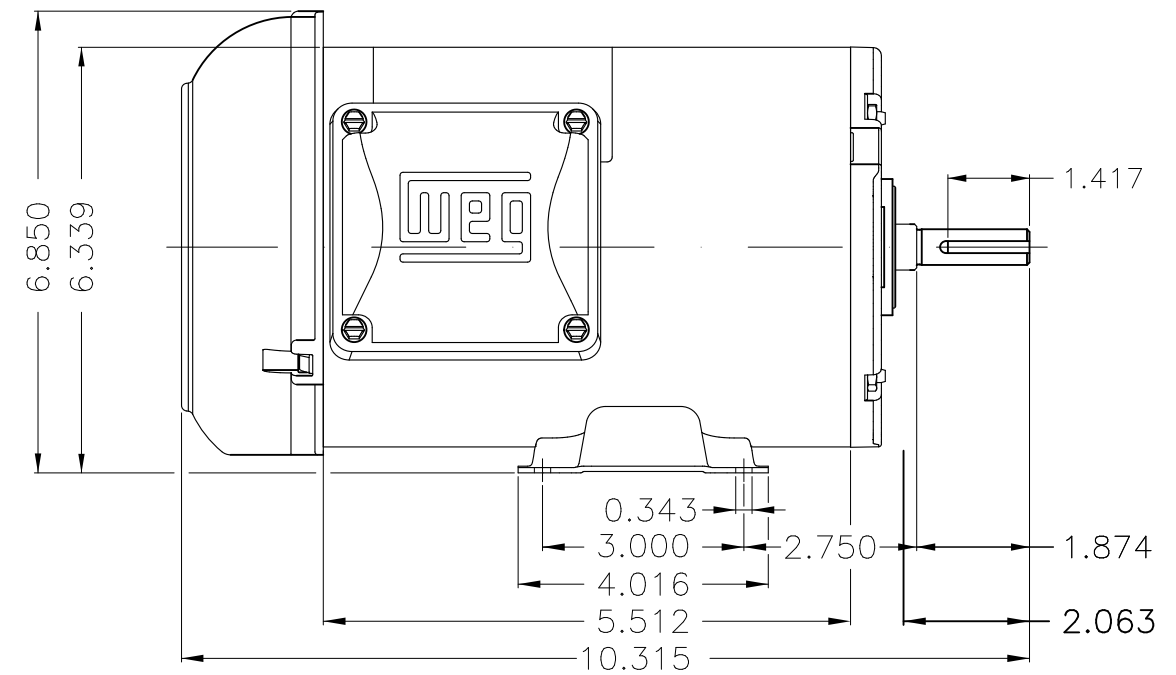
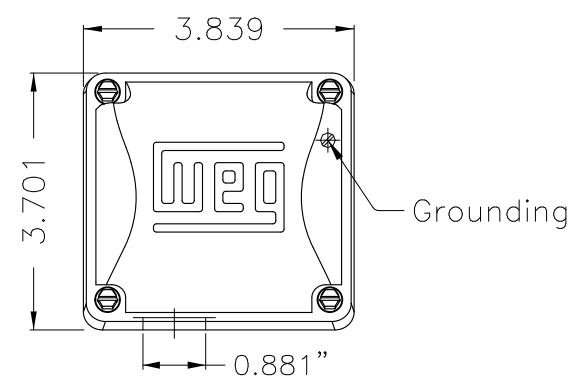
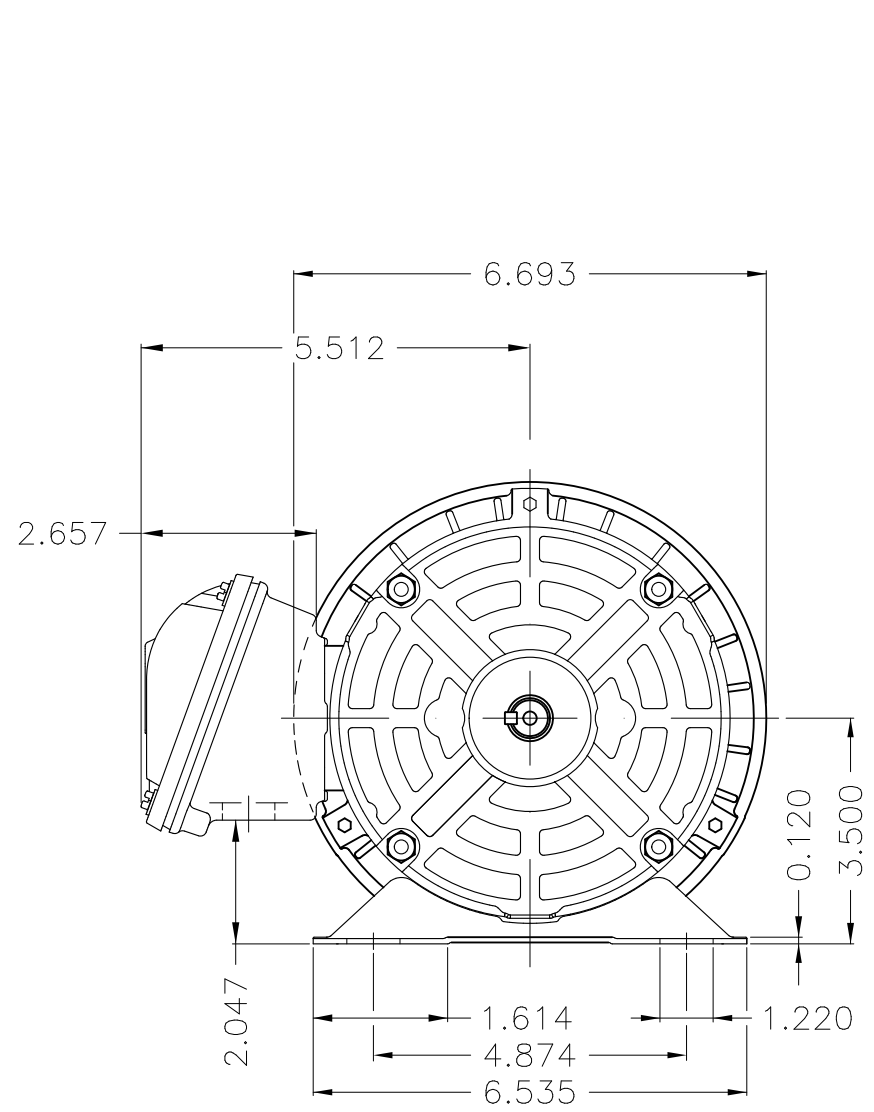
A


B

C

D

E



Color Munsell N 1 matte black											
Painting plan 207N											
Mounting F-1/B3R(D)											
					HYBRISUSER	00					
ECM	LOC	SUMMARY OF MODIFICATIONS			EXECUTED	CHECKED	RELEASED	DATE	VER		
EXECUTED	HYBRISUSER	THREE PH. MOTOR ROLLED STEEL PREM. EFF.				PREVIEW WDD 00					
CHECKED		FRAME W56 IP55 TEFC									
RELEASED											
REL. DATE		WMO	Jaragua do Sul	Product Engineering	SHEET	1 / 1					

0.33 HP 02 Poles 60 Hz

A