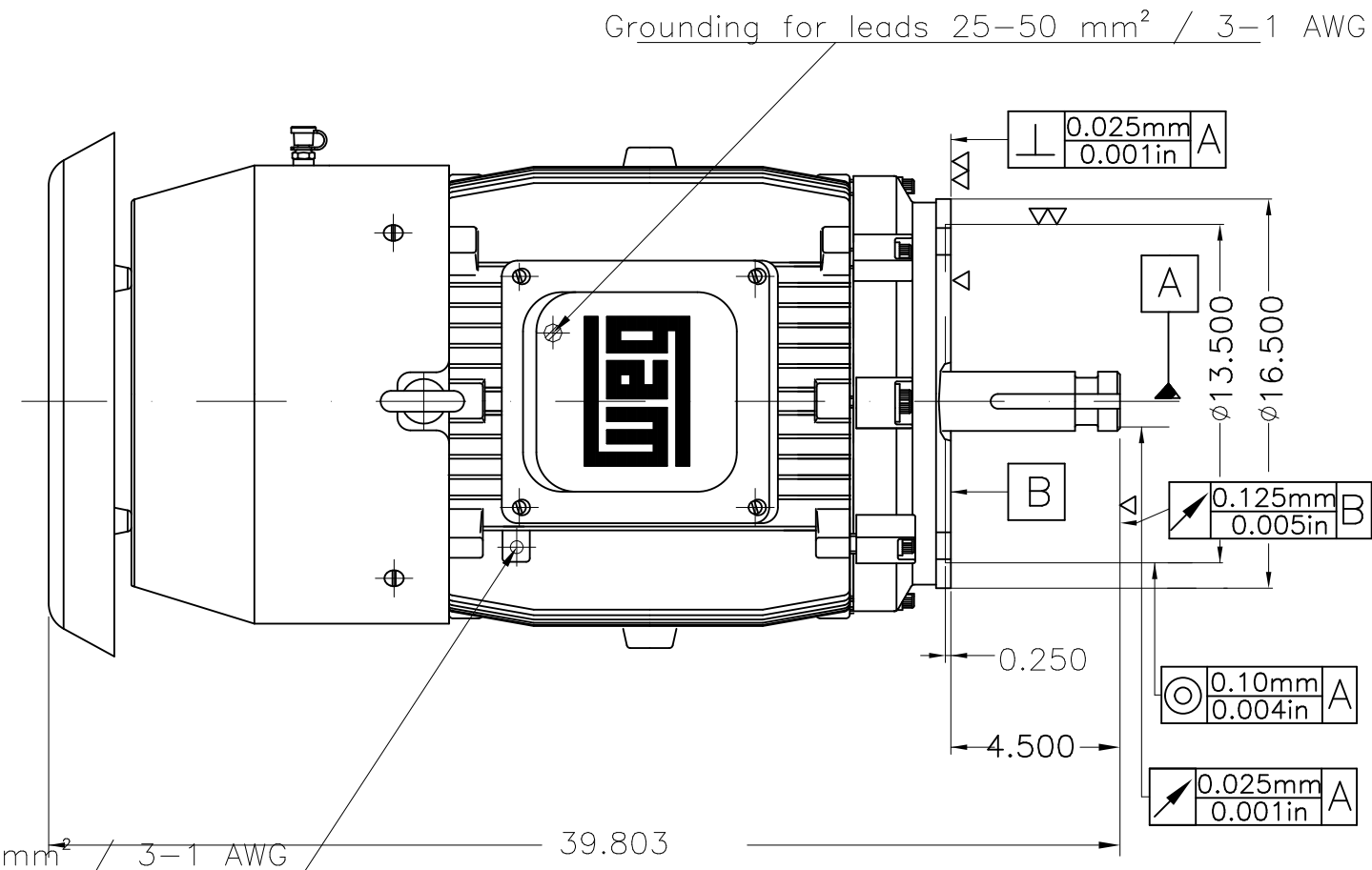
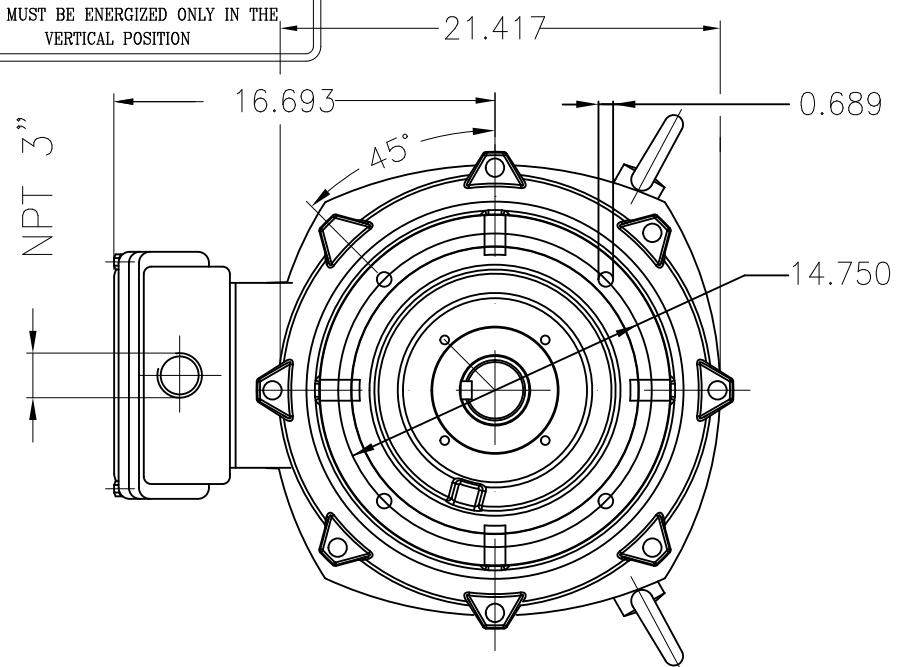
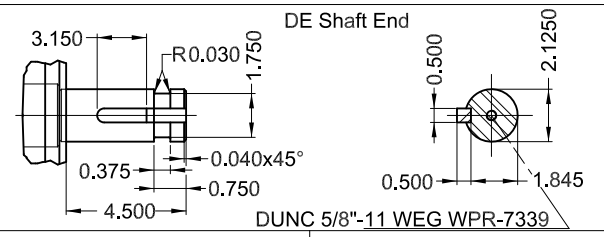


ATENÇÃO/ATTENTION

MOTOR DEVE SER LIGADO APENAS NA
POSIÇÃO VERTICAL
MOTOR MUST BE ENERGIZED ONLY IN THE
VERTICAL POSITION



- Fan cover - steel plate
- Sealing - oil seal ring
- Rubber drain plug
- Without switch off thermal protection
- B key
- Grease - Mobil Polyrex EM
- Plastic flat plug
- Class F insulation - 80K temperature rise
- Without Space Heaters
- Shaft material - SAE/ABNT 1040/45
- Without terminal block
- NDE sealing - lip seal
- Aluminum fan
- Bearing cap
- Reduced balancing with half key
- Without epoxy in the cables outlet
- Certification CSA/UL
- Packing - crate
- Without thermal protection on bearings
- With grease fitting
- Color RAL 5009
- Painting plan 203A
- Service factor 1.25
- Mounting NEMA W-6
- Mounting V1



75 HP 04 Poles 60 Hz A

ECM		LOC	SUMMARY OF MODIFICATIONS		EXECUTED	CHECKED	RELEASED	DATE	VER
EXECUTED	HYBRISUSER		THREE PH. MOTOR IN LINE EXTRA THRUST NEMA PREM. EFF.						
CHECKED			FRAME 364/5LP IP55 TEFC						
RELEASED									
REL. DATE		WMO	Jaragua do Sul	Product Engineering					

PREVIEW
WDD 00
SHEET 1 / 1