

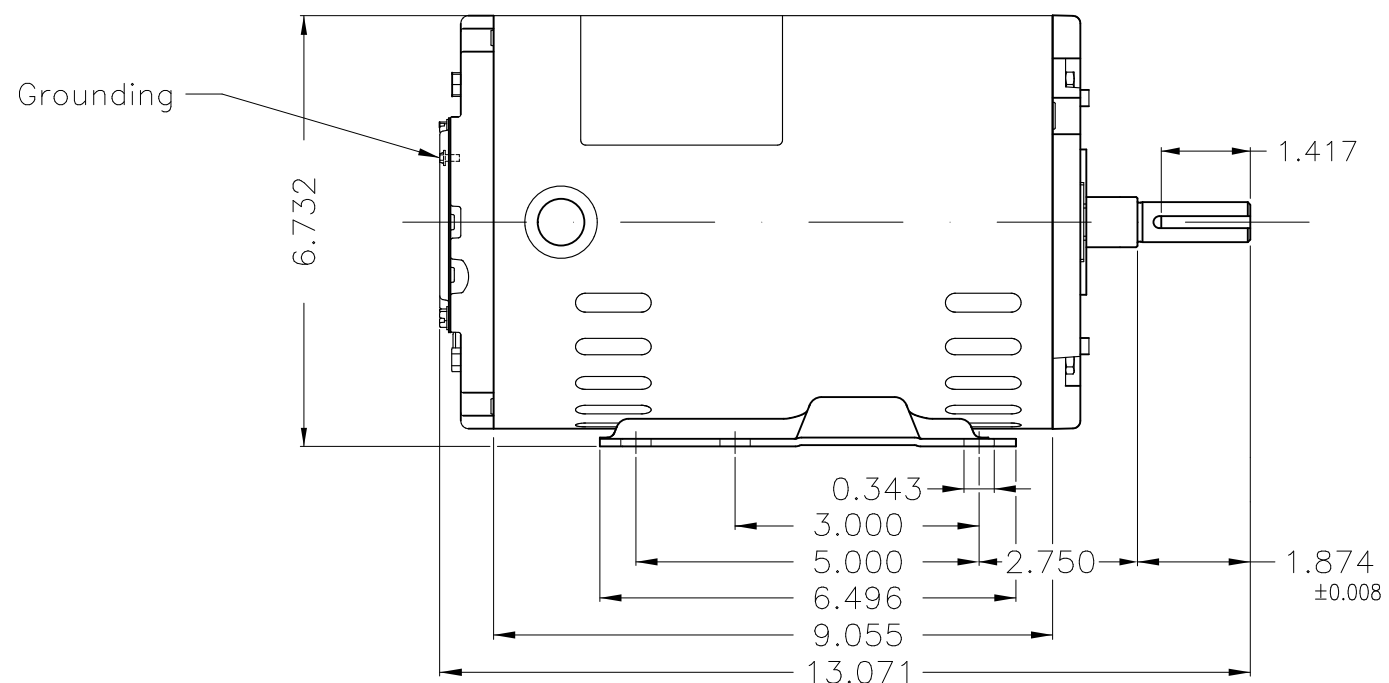
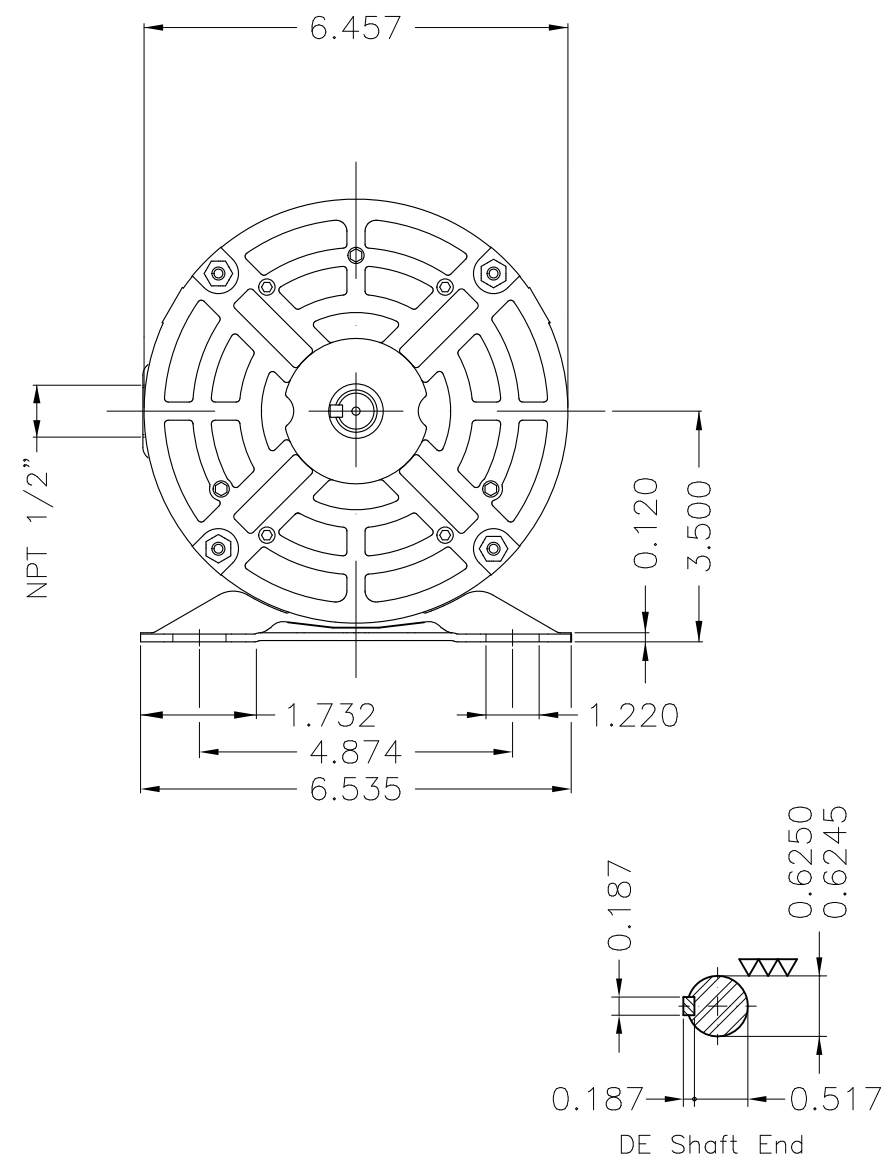
A

B

C

D

E



Color Munsell N 1 matte black									
Painting plan 207N									
Mounting F-1/B3R(D)									
							HYBRISUSER		
							00		
ECM	LOC	SUMMARY OF MODIFICATIONS			EXECUTED	CHECKED	RELEASED	DATE	VER
EXECUTED	HYBRISUSER	THREE PH. MOTOR ROLLED STEEL PREM. EFF. FRAME 56H IP21 ODP			<div style="text-align: center;"> </div>			<div style="text-align: center;"> PREVIEW WDD 00 SHEET 1 / 1 </div>	
CHECKED									
RELEASED									
REL. DATE		WMO	Jaragua do Sul	Product Engineering					

3 HP 02 Poles 60 Hz

A