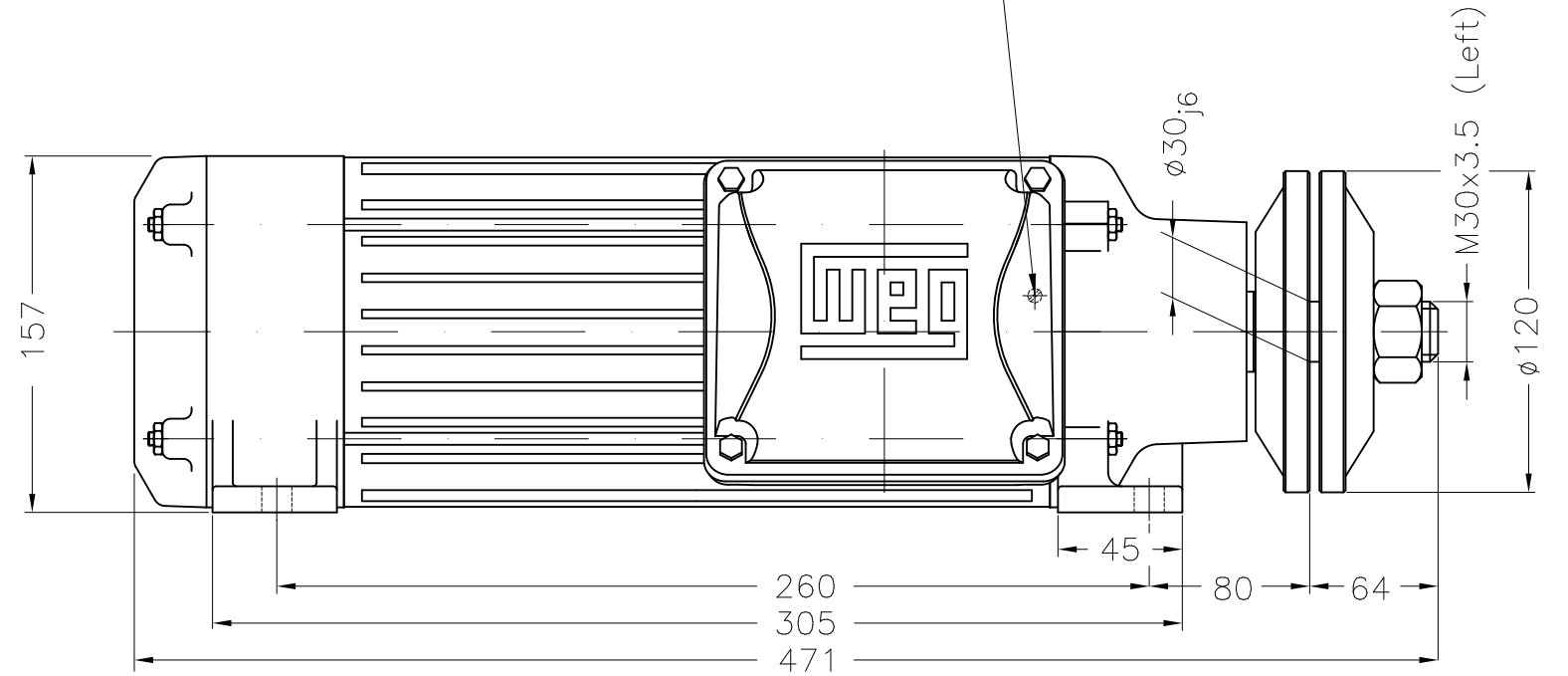


Grounding for leads 2–10 mm² / 14–7 AWG



3 HP 02 Poles 60 Hz

Dimensions in mm

Color RAL 7022
 Painting plan 207A
 Mounting B3R(D)

| ECM | LOC | SUMMARY OF MODIFICATIONS | EXECUTED | CHECKED | RELEASED | DATE | VER |
|-----------|------------|---------------------------------|----------|---------|----------|------|-----|
| EXECUTED | HYBRISUSER | THREE PH. MOTOR SAW ARBOR MOTOR | | | | | |
| CHECKED | | FRAME 80S/MS IP54 TEFC | | | | | |
| RELEASED | | | | | | | |
| REL. DATE | | WMO Jaragua do Sul | | | | | |
| | | Product Engineering | | | | | |

| | | | | | |
|------------|--|--|--|--|----|
| HYBRISUSER | | | | | 00 |
|------------|--|--|--|--|----|

PREVIEW

WDD 00

SHEET 1 / 1

