

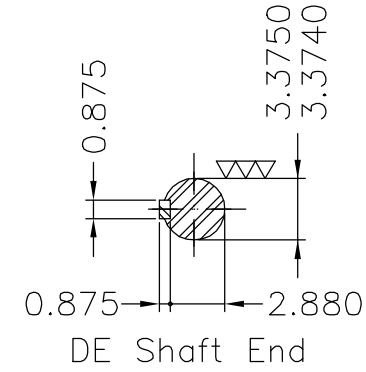
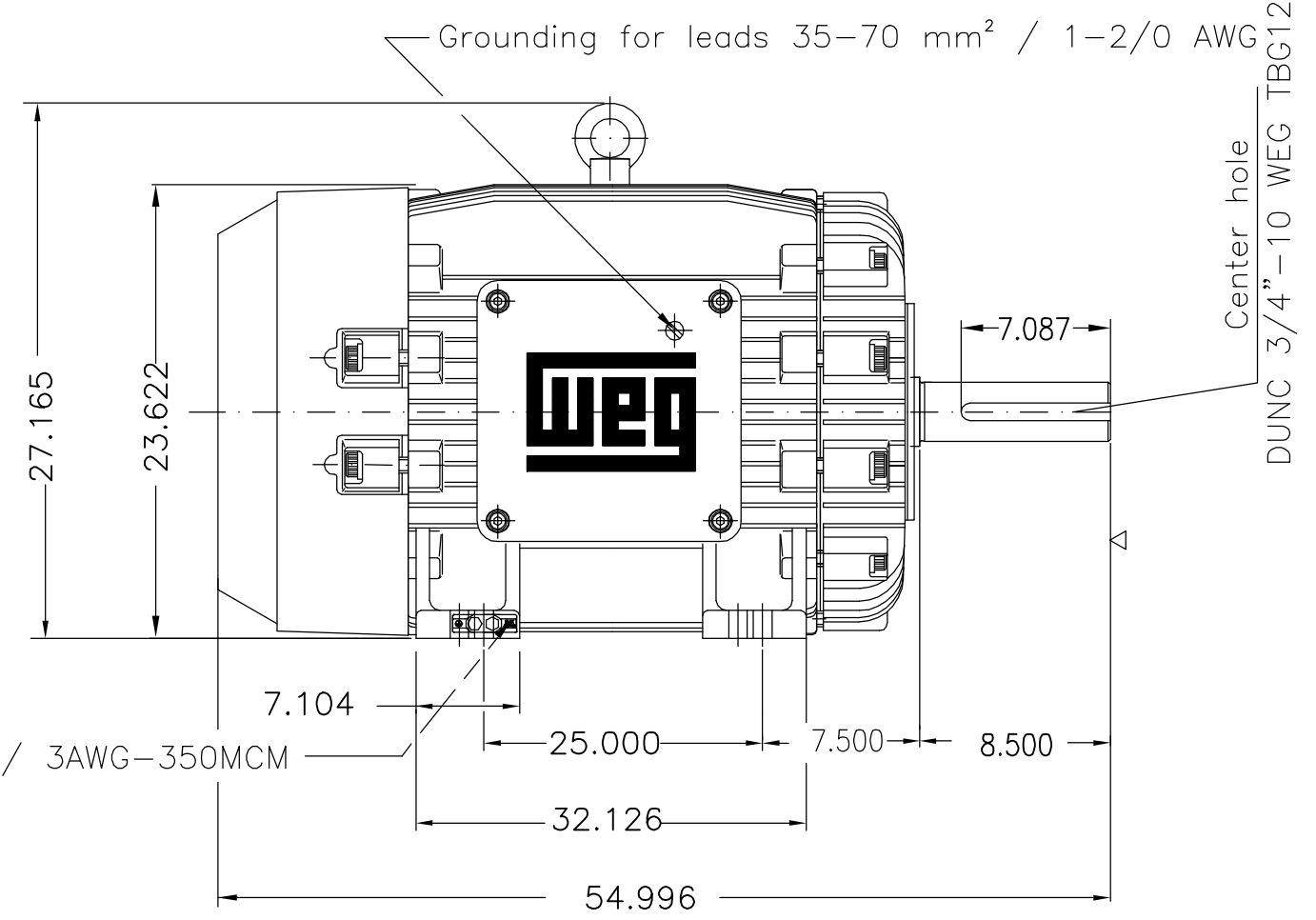
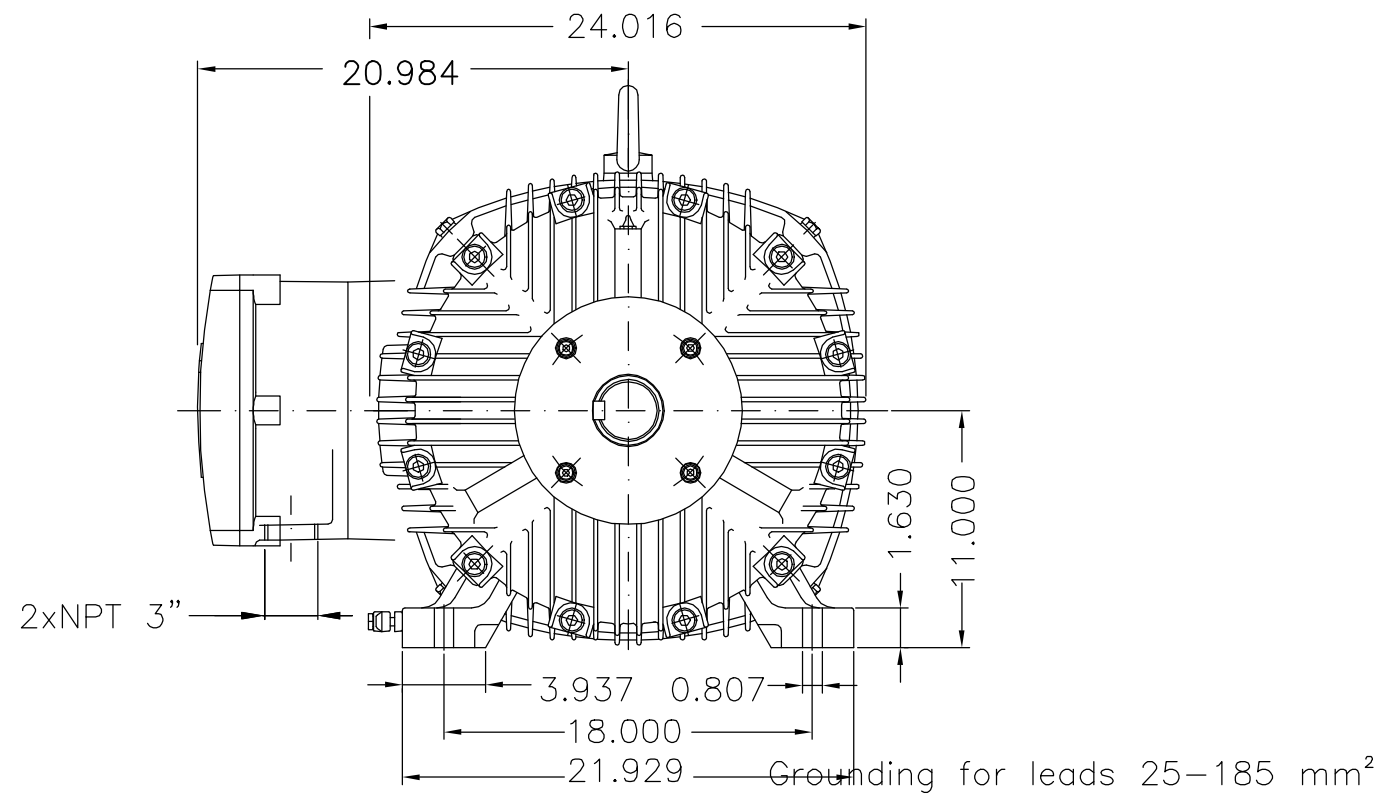
EIXO/SHAFT	
PADRÃO/STANDARD	X
OPCIONAL/OPTIONAL	
ESPECIAL/SPECIAL	

Dimensões em polegada
Dimensions in inches

CERTIFIED WEG MOTORES
Certified document.
Not subject to changes.

THIS IS AN UPDATED REVISION, THE PREVIOUS ONE MUST BE DISREGARDED.

A
B
C
D
E



- Slinger fornecido em avulso / Slinger ring supplied loose
- Dispositivo de travamento de eixo / Shaft locking device
- Rolamento dianteiro de rolos / DE roller bearing
- Rolamento dianteiro C3 / C3 DE bearing
- Cor RAL 5009 / Color RAL 5009
- Plano de pintura 202P / Painting plan 202P
- Forma construtiva NEMA F-1 / Mounting NEMA F-1
- Forma construtiva B3D / Mounting B3R(D)

V.J. PAMENSKY CANADA INC.

500001611526		DOCUMENTO NOVO	DVEGINI	NSCHMIDT	NSCHMIDT	19.06.2019	00
ECM	LOC	RESUMO MODIFICAÇÃO	EXECUTADO	VERIFICADO	LIBERADO	DATA	VER
ECM	LOC	SUMMARY OF MODIFICATIONS	EXECUTED	CHECKED	RELEASED	DATE	VER
EXEC. /EXECUTED	DVEGINI	THREE-PHASE EXPLOSION PROOF MOTOR FRAME 449T IP55 TEFC	10006718650				
VERIF. /CHECKED	NSCHMIDT		000	00			
LIBER. /RELEASED	NSCHMIDT						
DATA LB /REL DT	19.06.2019	WMO	Jaraguá do Sul	Product Engineering	FOLHA/SHEET	1 / 1	

300 HP 04 Poles 60Hz 415505766/0

UNCONTROLLED COPY

RELEASED

ZME A3