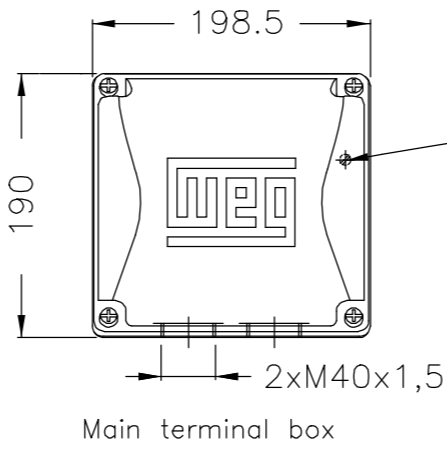


EIXO/SHAFT	
PADRÃO/STANDARD	X
OPCIONAL/OPTIONAL	
ESPECIAL/SPECIAL	

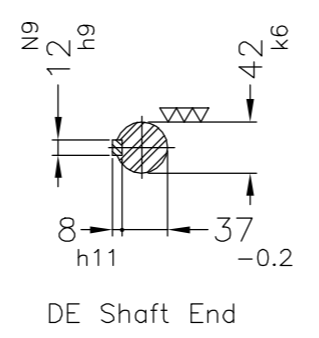
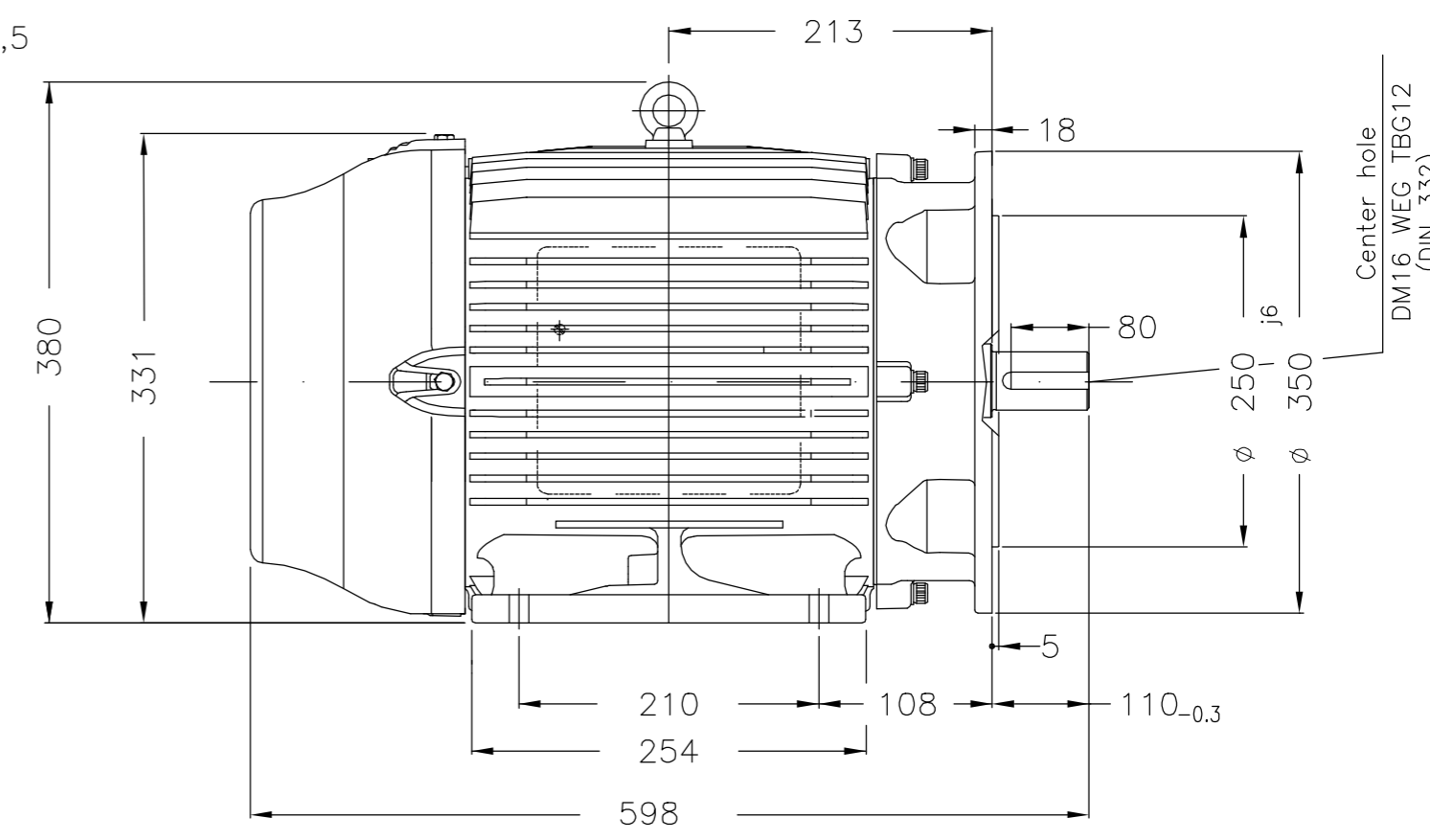
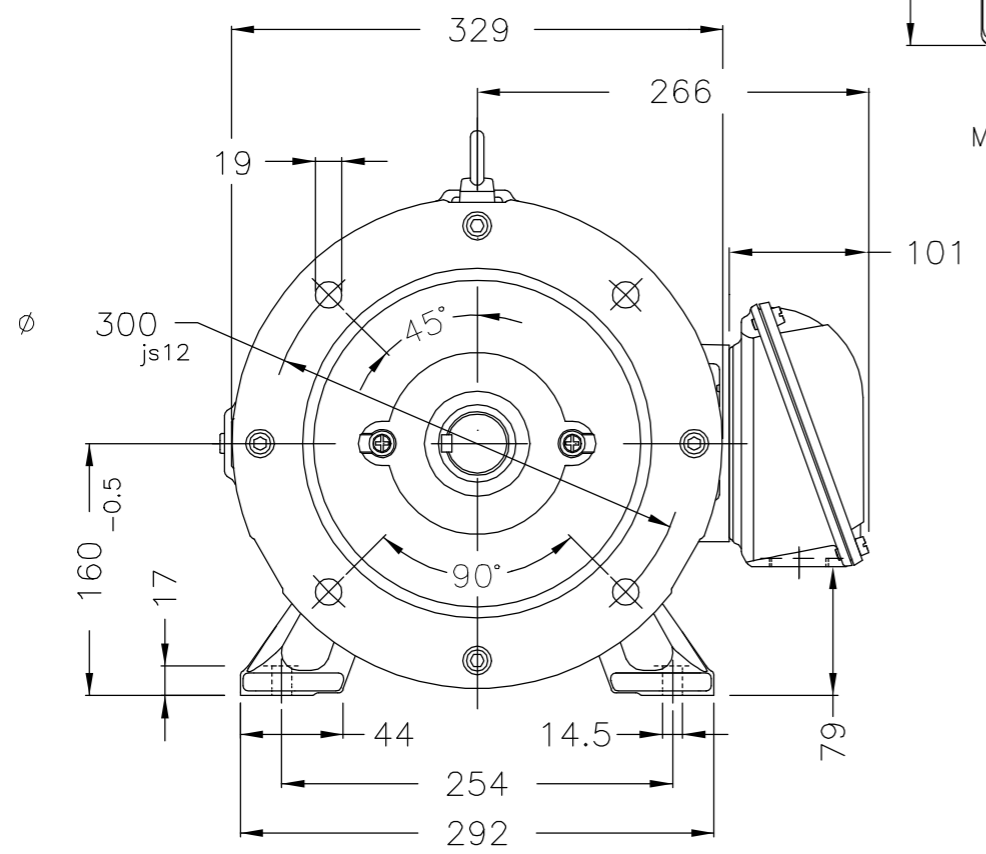
Dimensões em mm
Dimensions in mm

CERTIFIED WEG MOTORES
Certified document.
Not subject to changes.

THIS IS AN UPDATED REVISION, THE PREVIOUS ONE MUST BE DISREGARDED.



Grounding for leads 5.2–25 mm² / 10–4 AWG



Placa de identificação especial / Special nameplate
Cor RAL 5009 / Color RAL 5009
Plano de pintura 203A / Painting plan 203A
Forma construtiva B35E / Mounting B35L(E)
V.J. PAMENSKY CANADA INC.

OV: 50285099
415498167

500001611482			LUIZS	PIRWUSER	PIRWUSER	17.06.2019	
500001611482		DOCUMENTO NOVO	LUIZS	PIRWUSER	PIRWUSER	17.06.2019	01
ECM	LOC	SUMMARY OF MODIFICATIONS	EXECUTED	CHECKED	RELEASED	DATE	VER
EXECUTED	LUIZS	THREE PHASE W22 TRU-METRIC PREMIUM EFF FRAME 160M IP55 TEFC	10006708569				
CHECKED	PIRWUSER		000	01			
RELEASED	PIRWUSER						
REL DT	17.06.2019	WMO	Jaragua do Sul	Product Engineering	SHEET	1 / 1	

20 HP 02 Poles 60Hz

A