

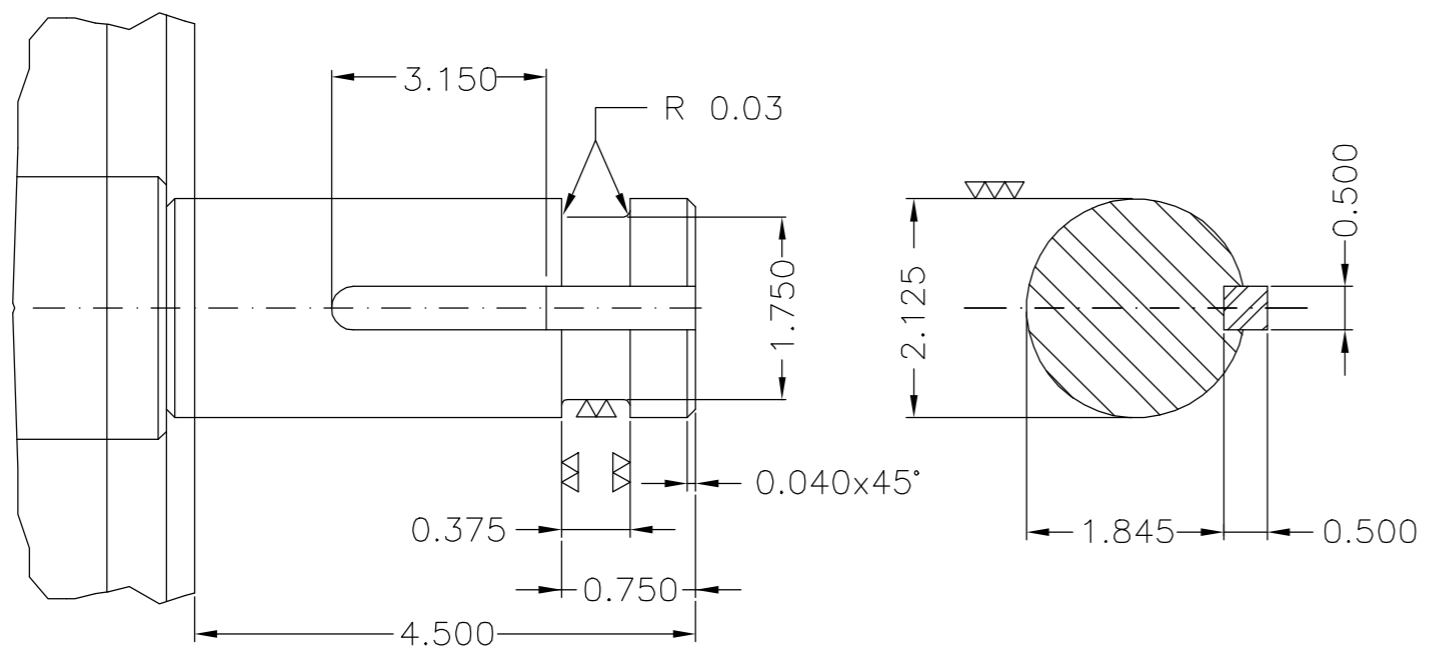
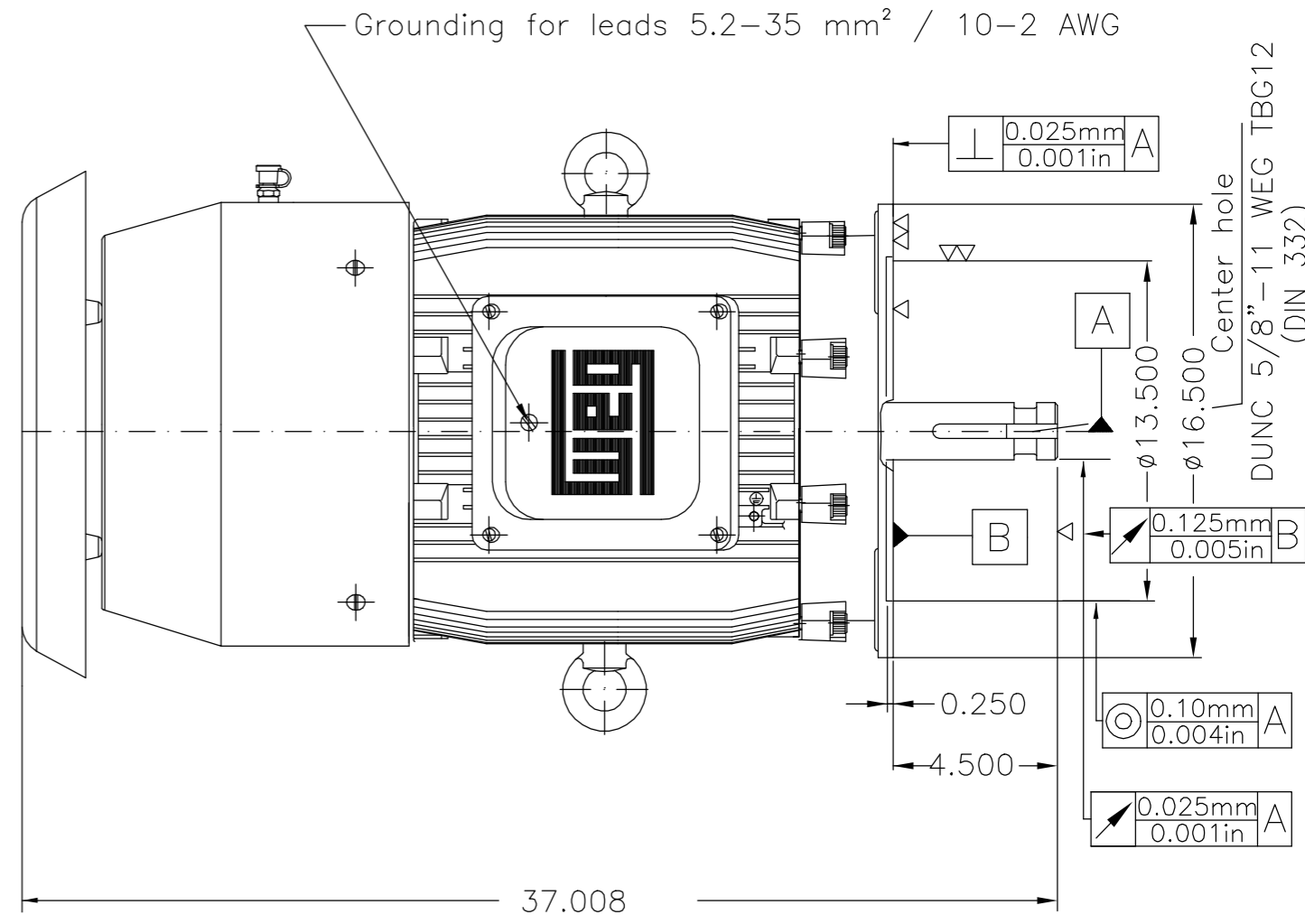
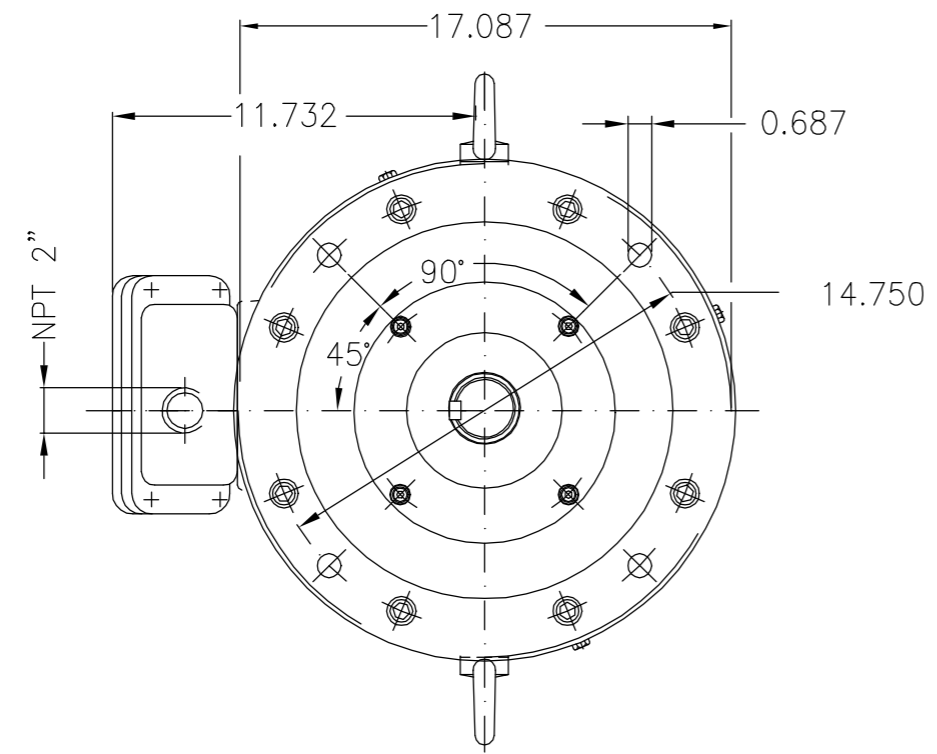
| | |
|-------------------|---|
| EIXO/SHAFT | |
| PADRÃO/STANDARD | X |
| OPCIONAL/OPTIONAL | |
| ESPECIAL/SPECIAL | |

Dimensões em polegada
Dimensions in inches

CERTIFIED WEG MOTORES
Certified document.
Not subject to changes.

THIS IS AN UPDATED REVISION, THE PREVIOUS ONE MUST BE DISREGARDED.

ATENÇÃO/ATTENTION
MOTOR DEVE SER LIGADO APENAS NA POSIÇÃO VERTICAL
MOTOR MUST BE ENERGIZED ONLY IN THE VERTICAL POSITION



Cor RAL 5009 / Color RAL 5009
Plano de pintura 203A / Painting plan 203A
Forma construtiva NEMA W-6 / Mounting NEMA W-6
Forma construtiva V1 / Mounting V1
V.J. PAMENSKY CANADA INC.

| | | | | | | | | | |
|--------------|-------------------------------|--------------------------|--|---------------------|------------|-------------|----------|------|-----|
| 500002148791 | ALT CONFORME 418229042 | CLAUDEMIRR | JACKSONDC | JACKSONDC | 14.06.2022 | 02 | | | |
| 500001664158 | ALT. CONFORME CLAIM 415778009 | FRANCINES | RICLAV | RICLAV | 08.10.2019 | 01 | | | |
| ECM | LOC | SUMMARY OF MODIFICATIONS | | | EXECUTED | CHECKED | RELEASED | DATE | VER |
| EXECUTED | DANIELAW | | THREE-PHASE IN LINE EXTRA THRUST MOTOR | | | 10006642905 | | | |
| CHECKED | CLEITONGS | | FRAME 326LP IP55 TEFC | | | 000 02 | | | |
| RELEASED | CLEITONGS | | | | | | | | |
| REL DT | 23.05.2019 | WMO | Jaragua do Sul | Product Engineering | SHEET | 1 / 1 | | | |

| | | | | |
|-------|----------|------|-------------|---|
| 50 HP | 04 Poles | 60Hz | | B |
| 50 HP | 02 Poles | 60Hz | 415472505/0 | A |

UNCONTROLLED COPY RELEASED ZME A3