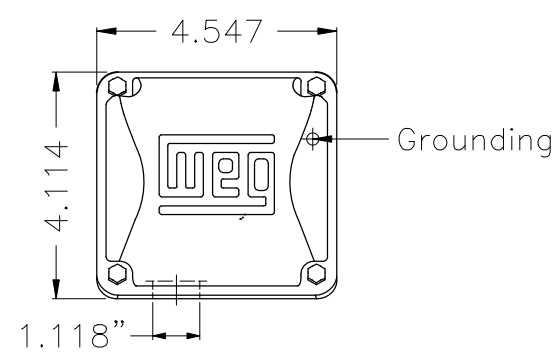
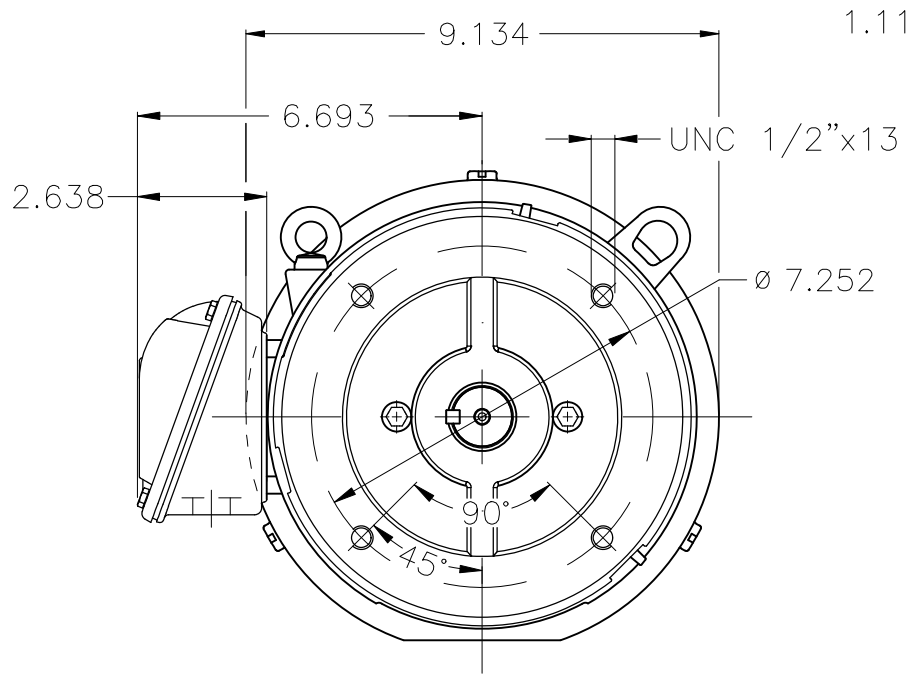


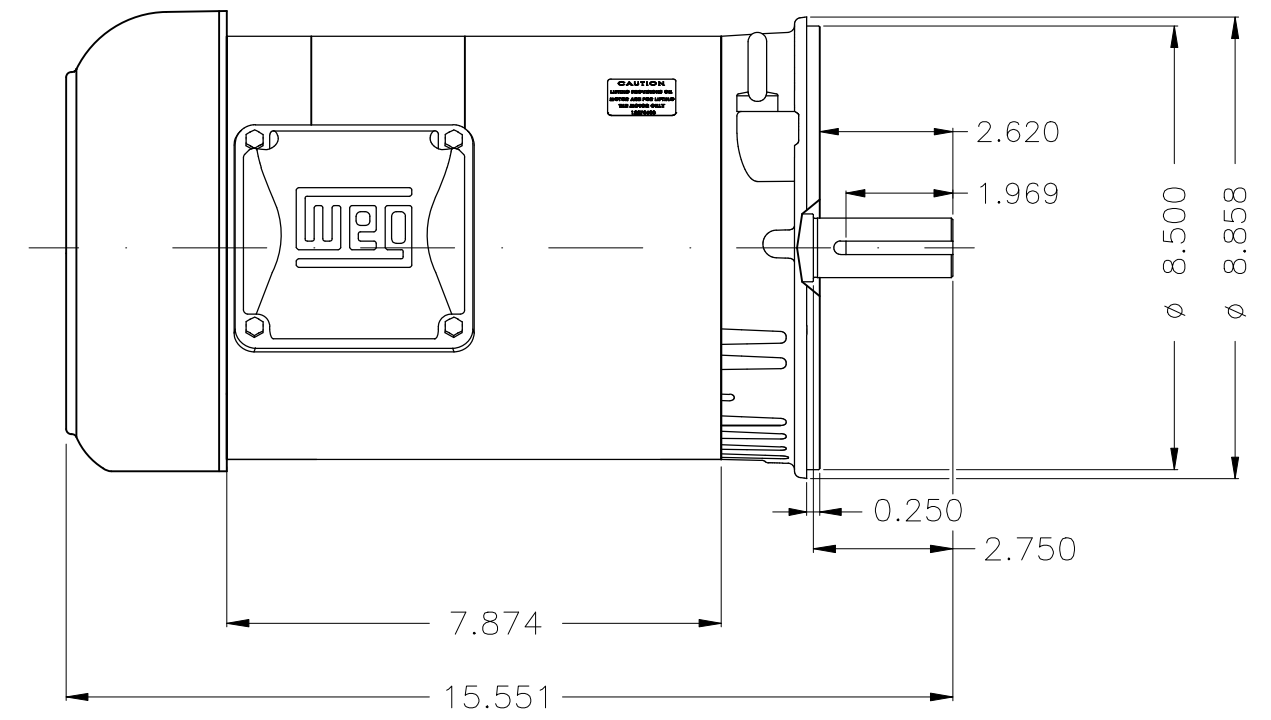
A



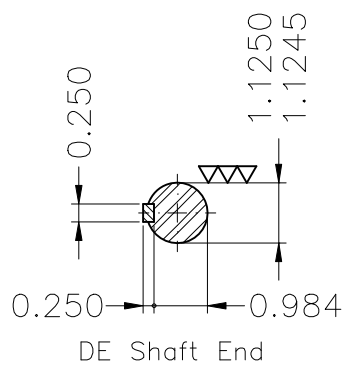
B



C



D



E

Color Munsell N 1 matte black
 Painting plan 207N
 Mounting F-1/B14R(D)

ECM	LOC	SUMMARY OF MODIFICATIONS	EXECUTED	CHECKED	RELEASED	DATE	VER
EXECUTED	HYBRISUSER	THREE PH. MOTOR ROLLED STEEL NEMA PREM. EFF.	HYBRISUSER				00
CHECKED		FRAME 182/4TC IP55 TEFC					
RELEASED							
REL. DATE	WMO	Jaragua do Sul	Product Engineering	PREVIEW			
				WDD	00	SHEET 1 / 1	

3 HP 02 Poles 60 Hz

WEG's property. Forbidden reproduction without previous authorization.

Dimensions in inches

XME A3

