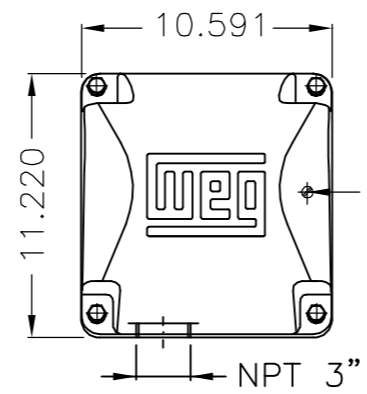


EIXO/SHAFT		Dimensões em polegada Dimensions in inches
PADRÃO/STANDARD	X	
OPCIONAL/OPTIONAL		
ESPECIAL/SPECIAL		

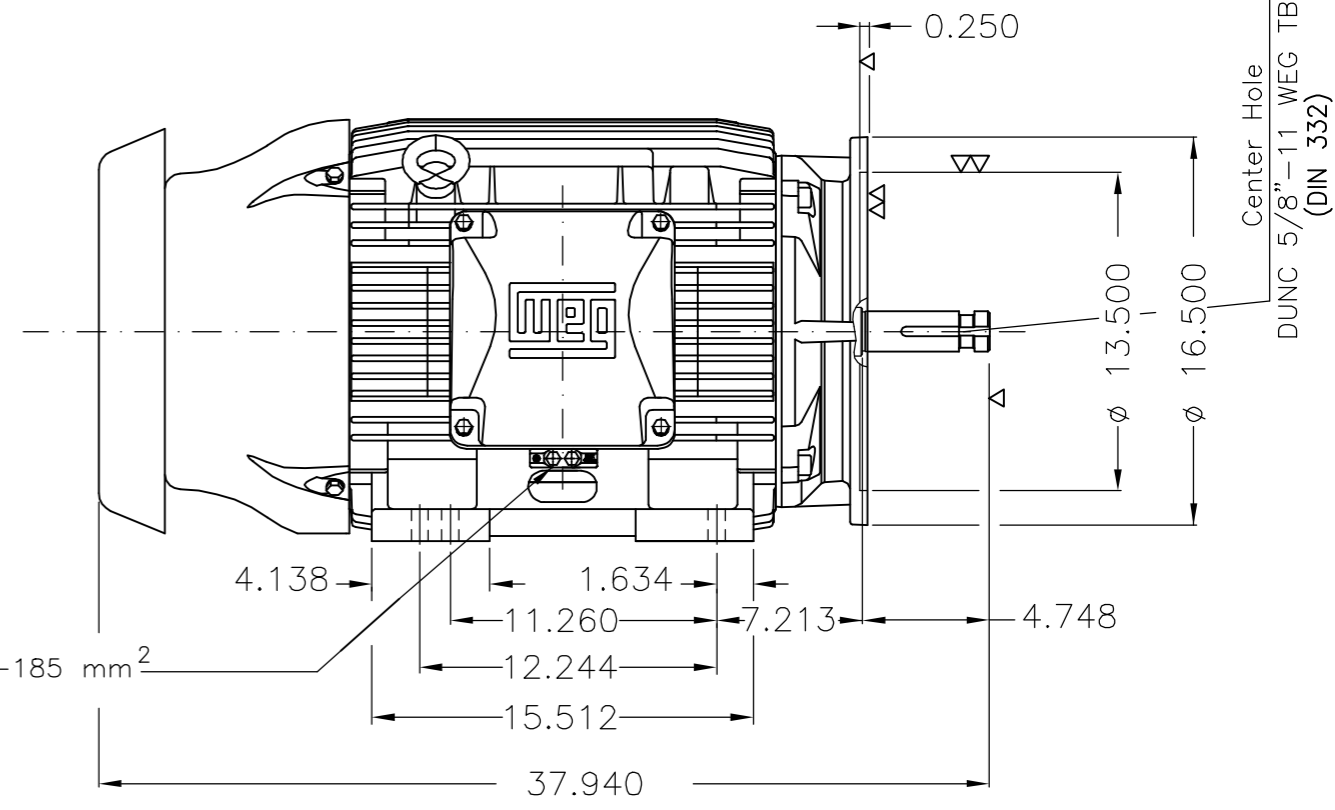
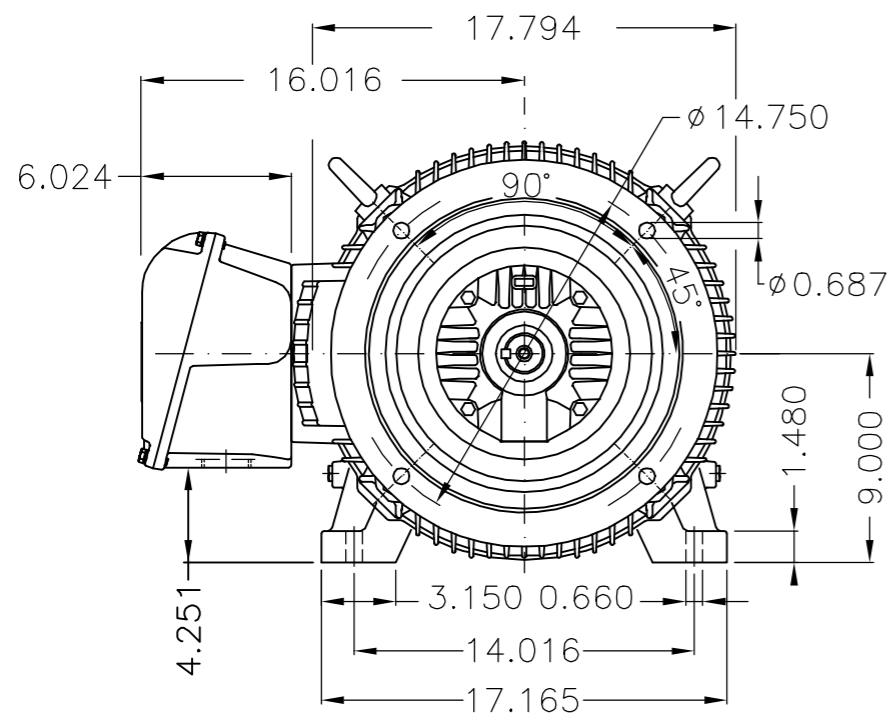
**CERTIFIED WEG MOTORES**  
Certified document.  
Not subject to changes.

THIS IS AN UPDATED REVISION, THE PREVIOUS ONE MUST BE DISREGARDED.



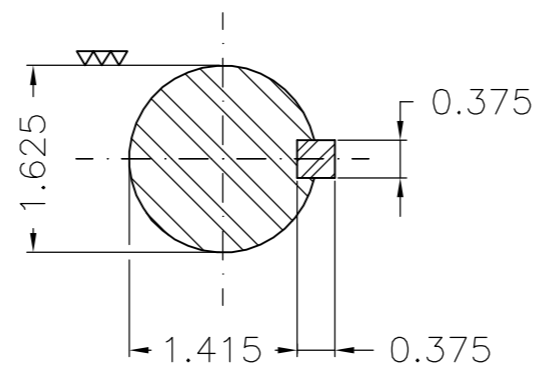
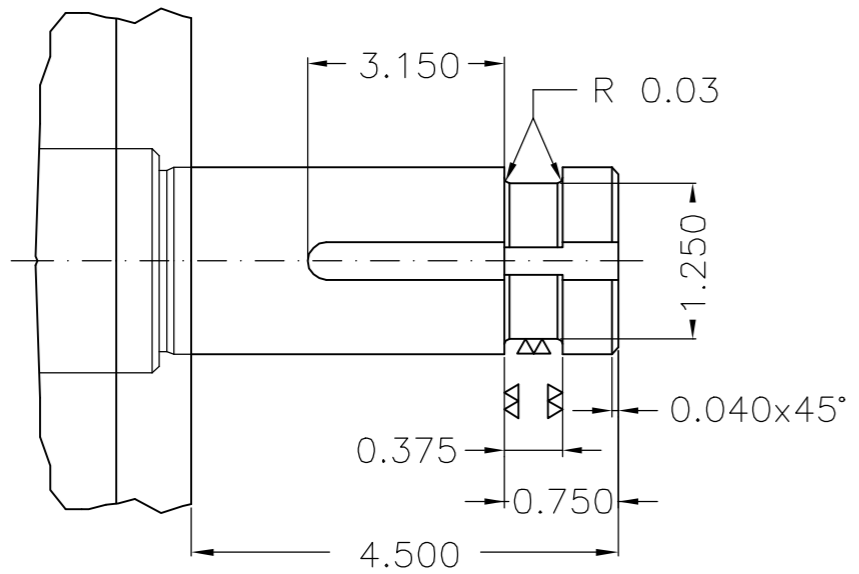
Main terminal box

Grounding for leads 25–50 mm<sup>2</sup> / 3–1 AWG



Grounding for leads 25–185 mm<sup>2</sup>

Center Hole  
DUNC 5/8"–11 WEG TBG12  
(DIN 332)



Cor RAL 5009 / Color RAL 5009  
Plano de pintura 203A / Painting plan 203A  
Forma construtiva NEMA W-6 / Mounting NEMA W-6  
Forma construtiva V15 / Mounting V15  
**V.J. PAMENSKY CANADA INC.**

500001568740	DOCUMENTO NOVO	NSCHMIDT	CLEITONGS	CLEITONGS	15.03.2019	00			
ECM	LOC	SUMMARY OF MODIFICATIONS			EXECUTED	CHECKED	RELEASED	DATE	VER
EXECUTED	NSCHMIDT	THREE PHASE W22 P-BASE MOTOR PREMIUM EFF			10006453770				
CHECKED	CLEITONGS	FRAME 364/5HP IP55 TEFC			000   00				
RELEASED	CLEITONGS	P. BASE			000   00				
REL DT	15.03.2019	WMO	Jaragua do Sul	Product Engineering	SHEET	1 / 1			

75 HP 04 Poles 60Hz 415389642/0-MEC.